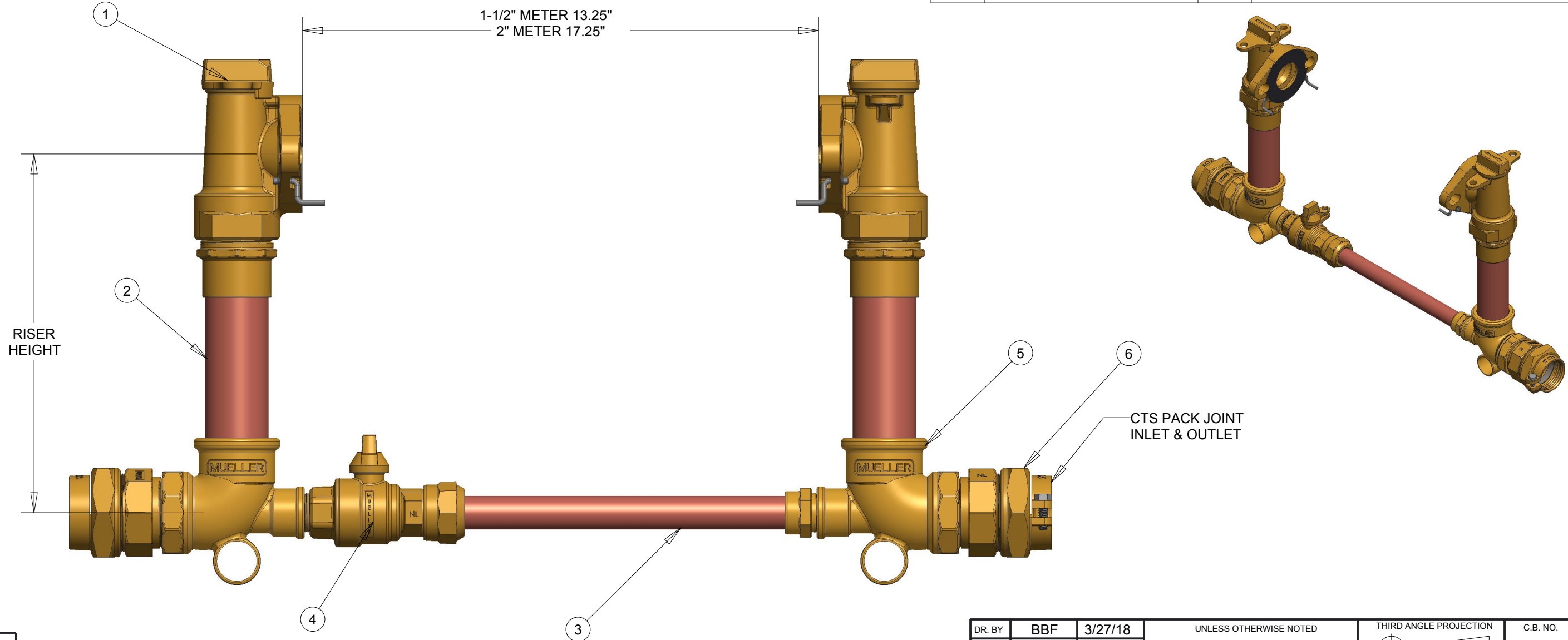


ITEM NO	PART NUMBER	QTY.	DESCRIPTION
1	H1428601N	2	ANGLE METER STOP
2		2	RISER SUB ASSEMBLY
3		1	BY-PASS SUB ASSEMBLY
4	B25170N	1	1" INLINE BALL VALVE
5		2	TEE
6		2	PACK JOINT TAIL PIECE



P1423-----N

DR. BY	BBF	3/27/18	UNLESS OTHERWISE NOTED	THIRD ANGLE PROJECTION	C.B. NO.
CHKR			BREAK CAST CORNER(S)---		
ENGR			BREAK MACH CORNER(S)---	PURCH.	FINISH
MGR			TOLERANCES	REF. NO.	PATT. NO.
MFG			UNLESS OTHERWISE NOTED	SCALE	
TOOL			LINEAR	ANGULAR	
FDRY			±	±	STK. NO.
MATL:					
			DESCR.	NUMBER	
			COPPER METER SETTER LOW LEAD BRASS	P1423-----N	