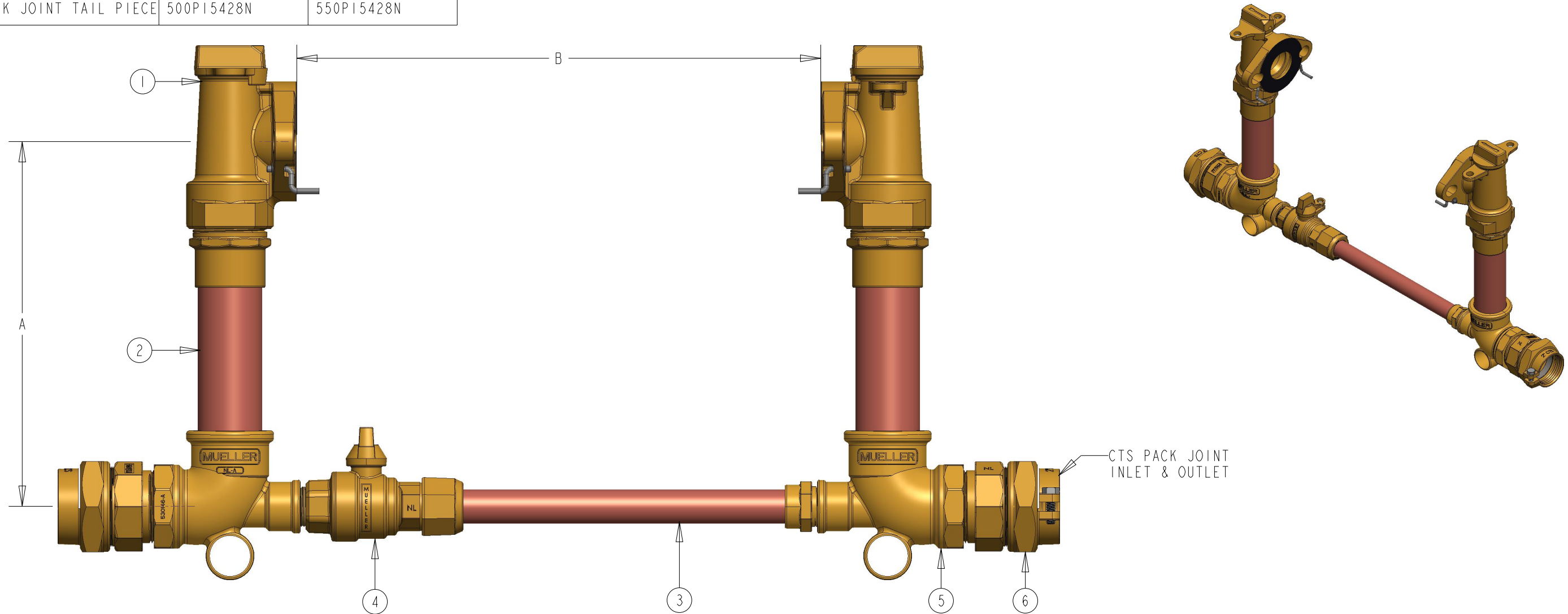


METER SIZE	1-1/2"	2"
A (MINIMUM)	12"	12"
B	13-1/4"	17-1/4"
ANGLE METER STOP	500HI42860IN	550HI42860IN
BYPASS SUB ASSEMBLY	682240	682158E
INLINE BALL VALVE	330B25170N	330B25170N
TEE	509704E	530146
PACK JOINT TAIL PIECE	500PI5428N	550PI5428N

ITEM NO	PART NUMBER	QTY.	DESCRIPTION
1	HI42860IN	2	ANGLE METER STOP
2		2	RISER SUB ASSEMBLY
3		1	BY-PASS SUB ASSEMBLY
4	B25170N	1	1" INLINE BALL VALVE
5		2	TEE
6	PI5428N	2	PACK JOINT TAIL PIECE



P1423-----N

DR. BY	BBF	3/27/18	UNLESS OTHERWISE NOTED	THIRD ANGLE PROJECTION	C.B. NO.
CHKR			BREAK CAST CORNER(S)---		
ENGR			BREAK MACH CORNER(S)---	PURCH.	FINISH
MGR			TOLERANCES	REF. NO.	PATT. NO.
MFG			UNLESS OTHERWISE NOTED	SCALE	
TOOL			LINEAR	ANGULAR	
FDY			±	±	
MAT'L:			STK. NO.		
MUELLER		DESCR.	COPPER METER SETTER LEAD FREE BRASS		NUMBER P1423-----N