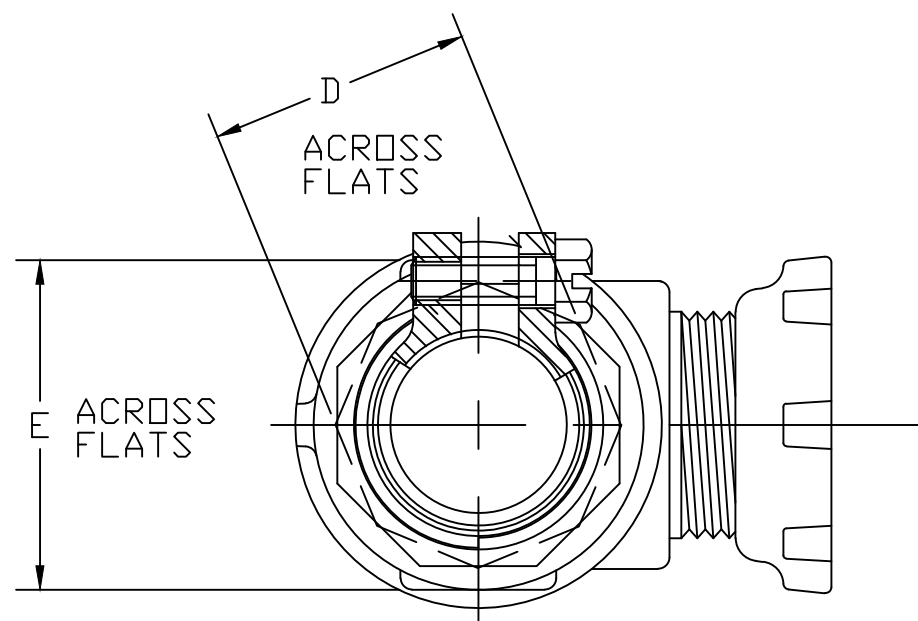
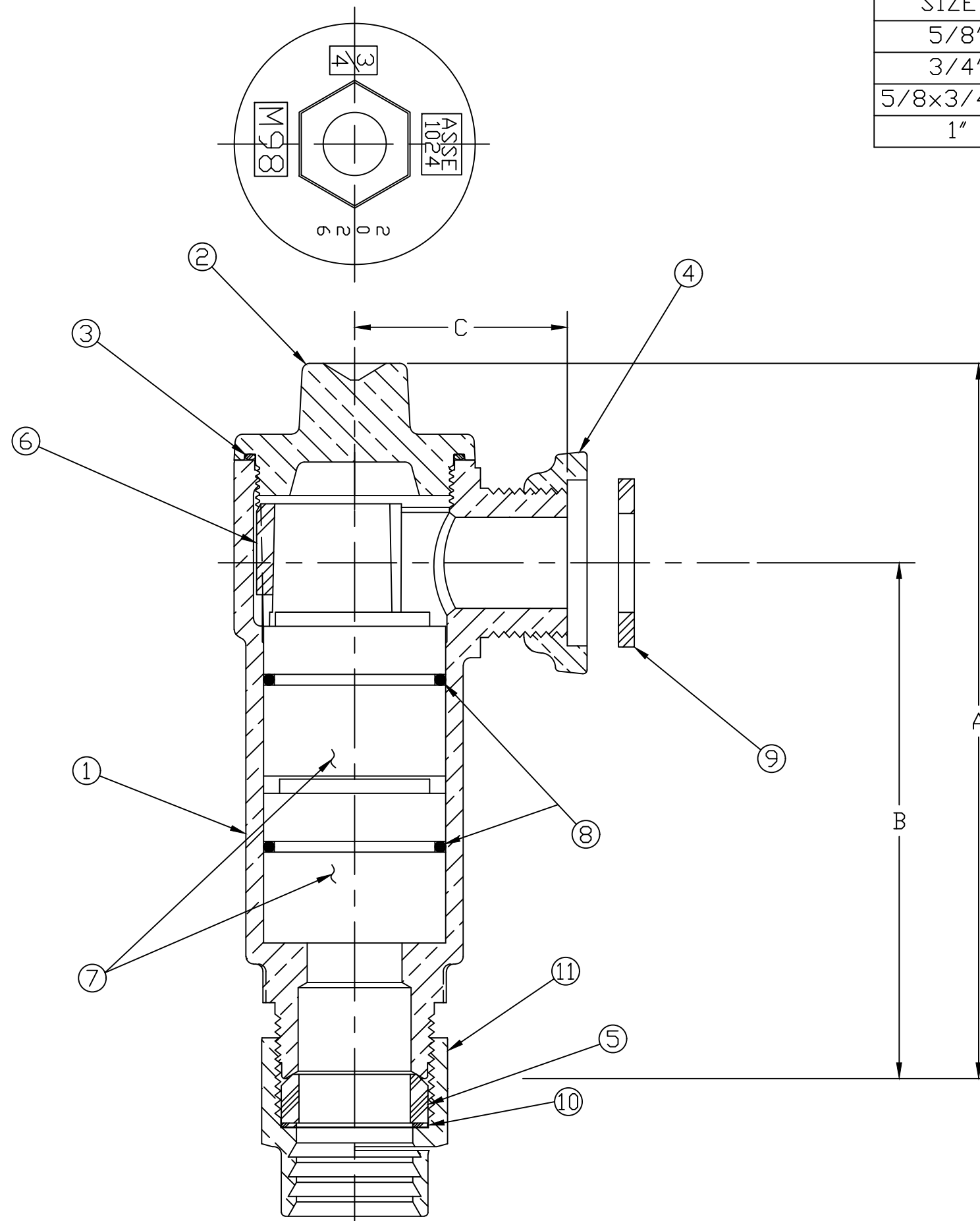


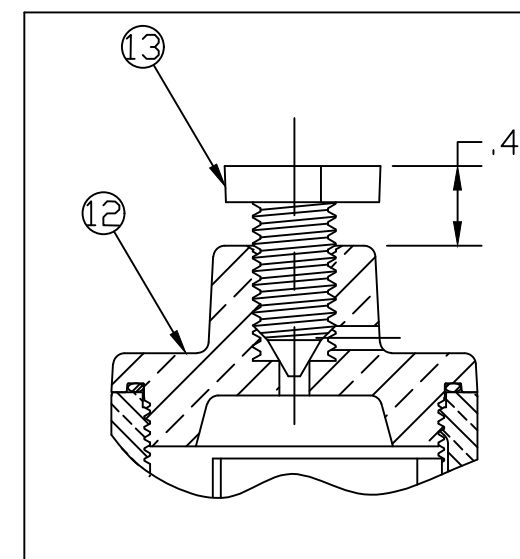
DWG NUMBER
P14466AN

SIZE	A	B	C	D	E
5/8"	5.50	4.09	1.85	1.38	1.72
3/4"	5.50	4.09	1.85	1.38	1.72
5/8x3/4x1"	6.40	4.49	2.88	1.69	2.28
1"	6.28	4.49	2.38	1.69	2.28



NO.	DESCRIPTION	MATERIAL
1	BODY	LEAD FREE BRASS ALLOY ASTM B584
2	CAP	LEAD FREE BRASS ALLOY ASTM B584
3	O-RING	EPDM D2000
4	LOCK NUT	CAST BRASS ALLOY ASTM B584
5	PJ GASKET	SBR D2000
6	LINER	CELCON M-90
7	POPPET ASS'Y	SEE ASS'Y DWG.
8	O-RING	EPDM D2000
9	WASHER	EPDM D2000
10	PJ WASHER	POLYETHYLENE PLASTIC
11	PJ CPLG NUT	CAST BRASS ALLOY ASTM B584
14	END PIECE	LEAD FREE BRASS ALLOY ASTM B584
15	O-RING	EPDM D2000

NOT SHOWN
5/8x3/4x1
NOT SHOWN
5/8x3/4x1



(OPTION)

P14466N-99005N
DUAL CHECK ANGLE METER VALVE ASSEMBLY
INCLUDES DRAIN VALVE IN CAP

12	CAP	LEAD FREE BRASS ALLOY ASTM B584
13	DRAIN PIN	LEAD FREE BRASS ALLOY ASTM B584

MEETS ALL REQUIREMENTS OF AWWA C800
ALL WETTED PARTS ARE LEAD FREE BRASS ALLOY C89833/C87850
ALL NON WETTED PARTS ARE BRASS ALLOY C83600/C87850

DRFTR	RWB	11/19/14	MUELLER	
CHKR				
ENGR			UNLESS OTHERWISE NOTED	
MGR			THIRD ANGLE PROJECTION	
			SURFACE PREPARATION:	
			BREAK CORNERS) ---- .000	
			SURFACE FINISH -- XX RMS	
			TOLERANCE(S):	
			LINEAR ----- ± .000	
			ANGULAR ----- ± 0°00'	
STK No:			REF. No.	SCALE
				NONE
MAT'L:				

TITLE TO AND OWNERSHIP OF THIS ENGINEERING DATA REMAINS IN Mueller Co. NO USE IS TO BE MADE OF THIS DATA EXCEPT AS SPECIFICALLY AUTHORIZED BY Mueller Co. ASSENT ON THE PART OF THE RECIPIENT TO THESE CONDITIONS IS PRESUMED.

DESCR.	ASSE DUAL CHECK ANGLE METER -LLB VALVE ASSEMBLY (IRON BAR x PJCTS)	DWG NUMBER P14466AN
--------	--	------------------------