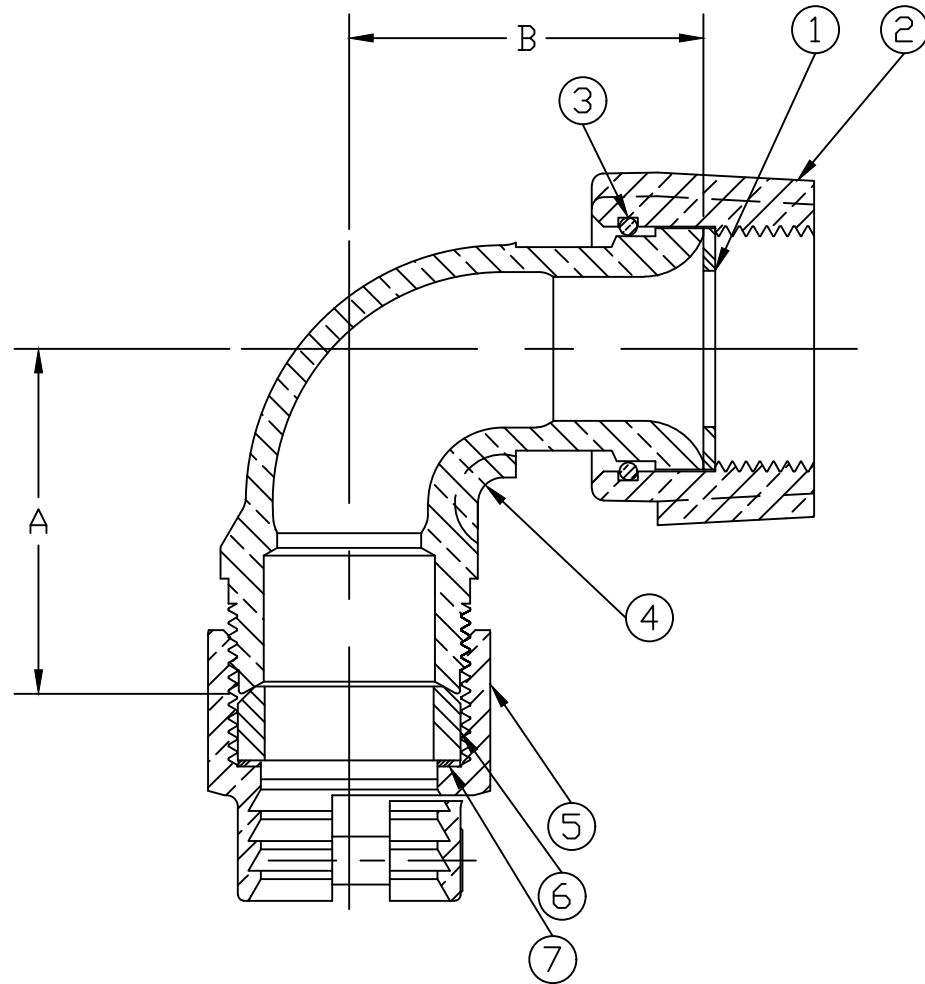


| No. | DESCRIPTION | MATERIAL |
|-----|---------------|---------------------------------|
| 1 | COPPER GASKET | COPPER ASTM B152 ALLOY C11000 |
| 2 | COUPLING NUT | CAST BRASS ALLOY ASTM B584 |
| 3 | SNAP RING | COPPER ALLOY CDA 521 |
| 4 | TAILPIECE | LEAD FREE BRASS ALLOY ASTM B584 |
| 5 | PJ CPLG NUT | CAST BRASS ALLOY ASTM B584 |
| 6 | PJ GASKET | ASTM D2000 NITRILE |
| 7 | PJ WASHER | POLYPROPYLENE |



| SIZE | A | B |
|------|-------|-------|
| 3/4 | 1.796 | 1.832 |
| 1 | 2.000 | 2.060 |

MEETS ALL REQUIREMENTS OF AWWA C800
 ALL WETTED PARTS ARE LEAD FREE BRASS ALLOY C89833/C87850
 ALL NON WETTED PARTS ARE BRASS ALLOY C83600/C87850

DWG NUMBER
P15076N

TITLE TO AND OWNERSHIP OF THIS ENGINEERING
 DATA REMAINS IN Mueller Co. NO USE IS TO BE
 MADE OF THIS DATA EXCEPT AS SPECIFICALLY
 AUTHORIZED BY Mueller Co. ASSENT ON THE PART
 OF THE RECIPIENT TO THESE CONDITIONS IS PRESUMED

| | | | | |
|---|----|----------|------------------------|---|
| DRFTR | AD | 02/28/23 | MUELLER | |
| CHKR | | | | |
| ENGR | | | UNLESS OTHERWISE NOTED | THIRD ANGLE PROJECTION |
| MGR | | | | SURFACE PREPARATION: BREAK CORNER(S) ----- .000 SURFACE FINISH -- XX RMS TOLERANCE(S): LINEAR ----- ± .016 ANGULAR ----- ± 0°00' |
| STK No: | | | | |
| MAT'L: | | | | |
| DESCR. | | | DWG NUMBER | |
| 1/4 BEND CORPORATION STOP COUPLING (SWIVEL FCS x PJ CTS) | | | P15076N | |