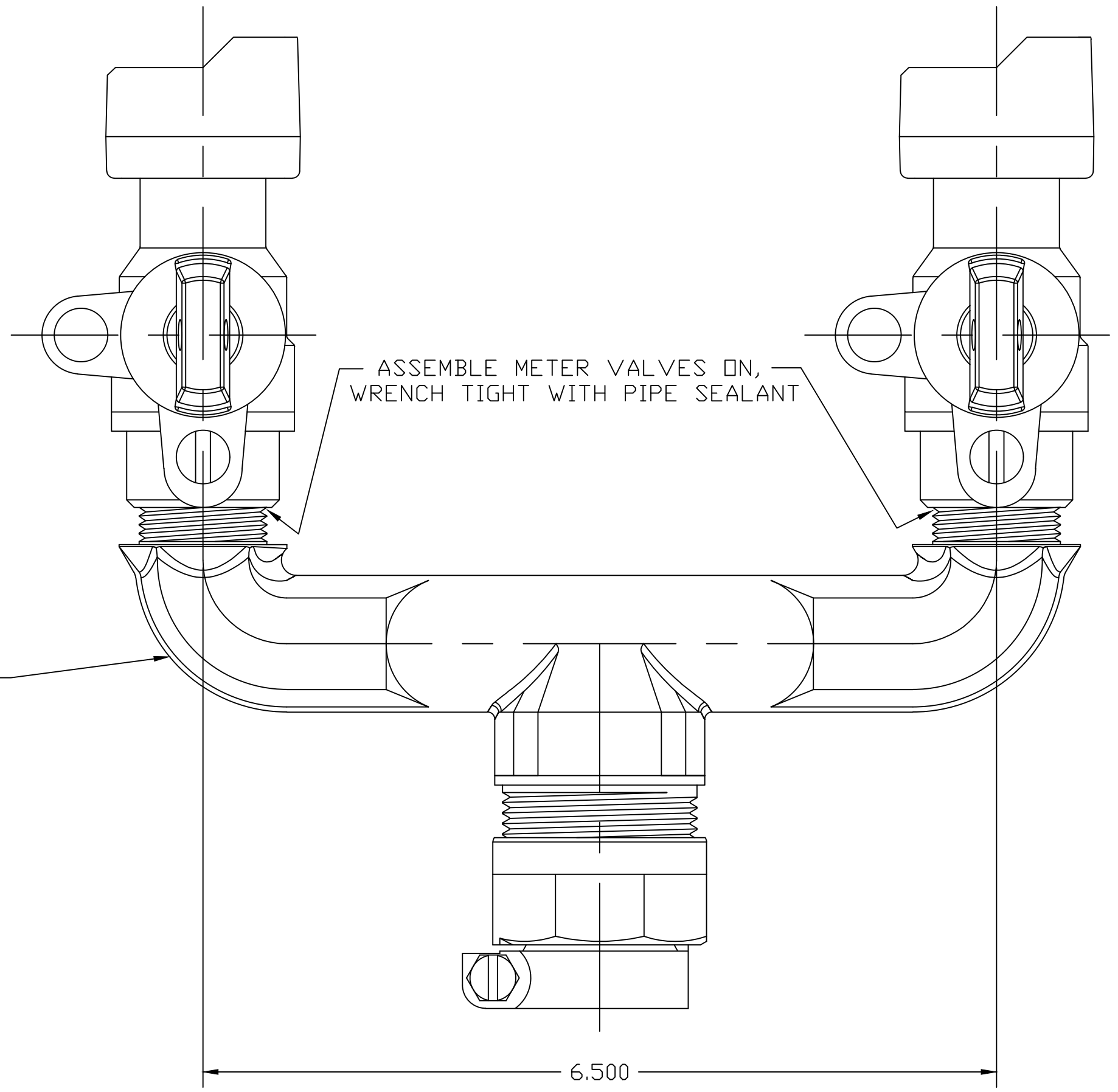
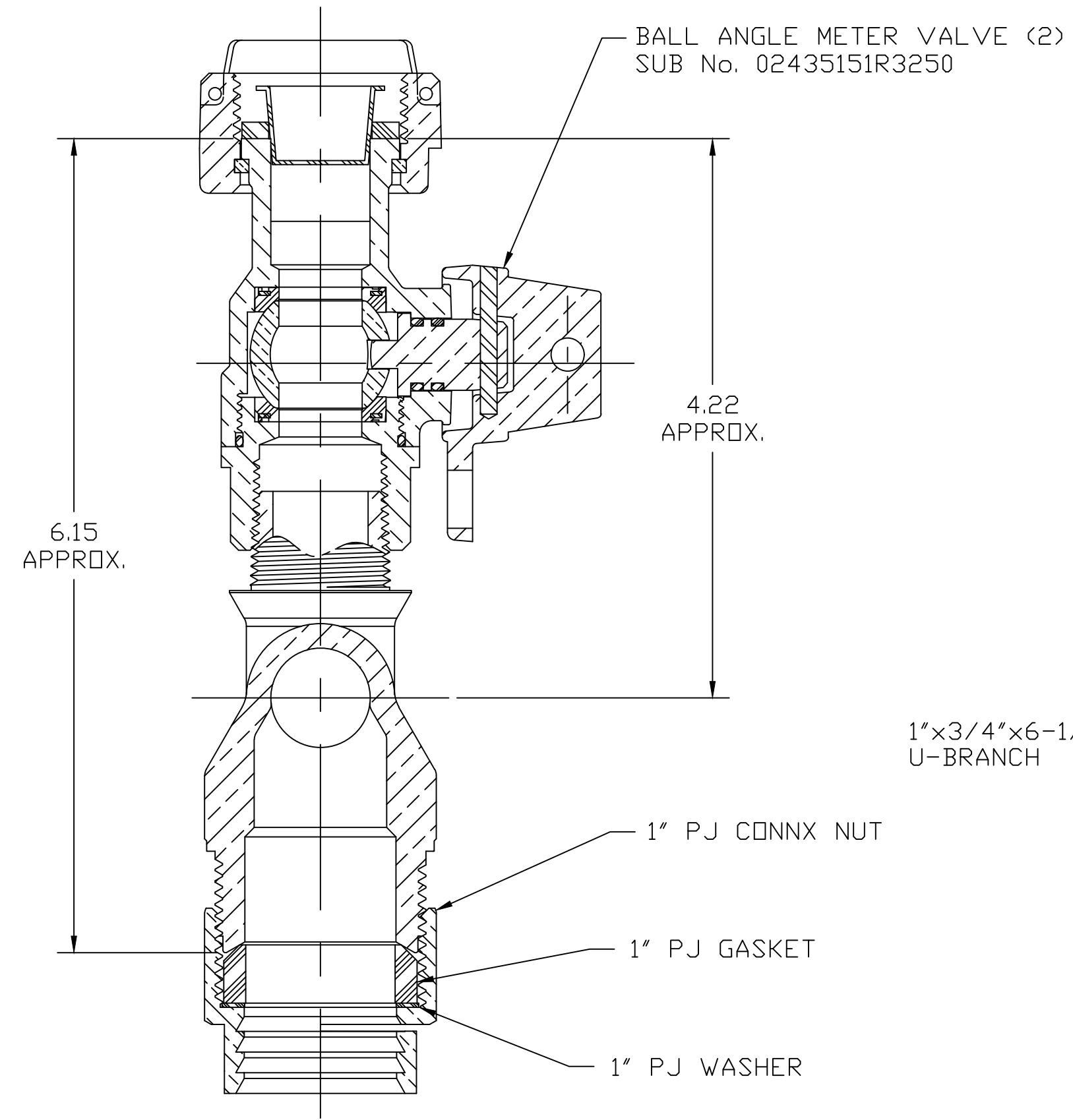


PART NUMBER  
P1536310\_\_400N

MRKTNG



ALL WETTED PARTS ARE LOW LEAD BRASS ALLOY

FILEPATH: PROD-ENG\MUELLER\ASYSUBMITTALS\P1536310\_400N

						DRFTR	RWB	5/1/18	<b>Mueller Co.</b>	THIRD ANGLE PROJECTION REF. No. SCALE FULL
						CHKR				
						ENGR				
						MGR				
							BY	DATE	UNLESS OTHERWISE NOTED	
									SURFACE PREPARATION:	
									BREAK CORNER(S) ---- .000	
									SURFACE FINISH -- 000 RMS	
									TOLERANCE(S):	
									LINEAR ----- ± .000	
									ANGULAR ----- ± 0°00'	
									STK No:	
									MAT'L:	
									DESCR.	
									1" x 3/4" x 6-1/2" LLB U-BRANCH CONNX	PART NUMBER
									WITH METER VALVES x PJ "CTS"	P1536310__400N
									PER EST NO: DXXXX EST FIN WT = 0.0000 lbs	