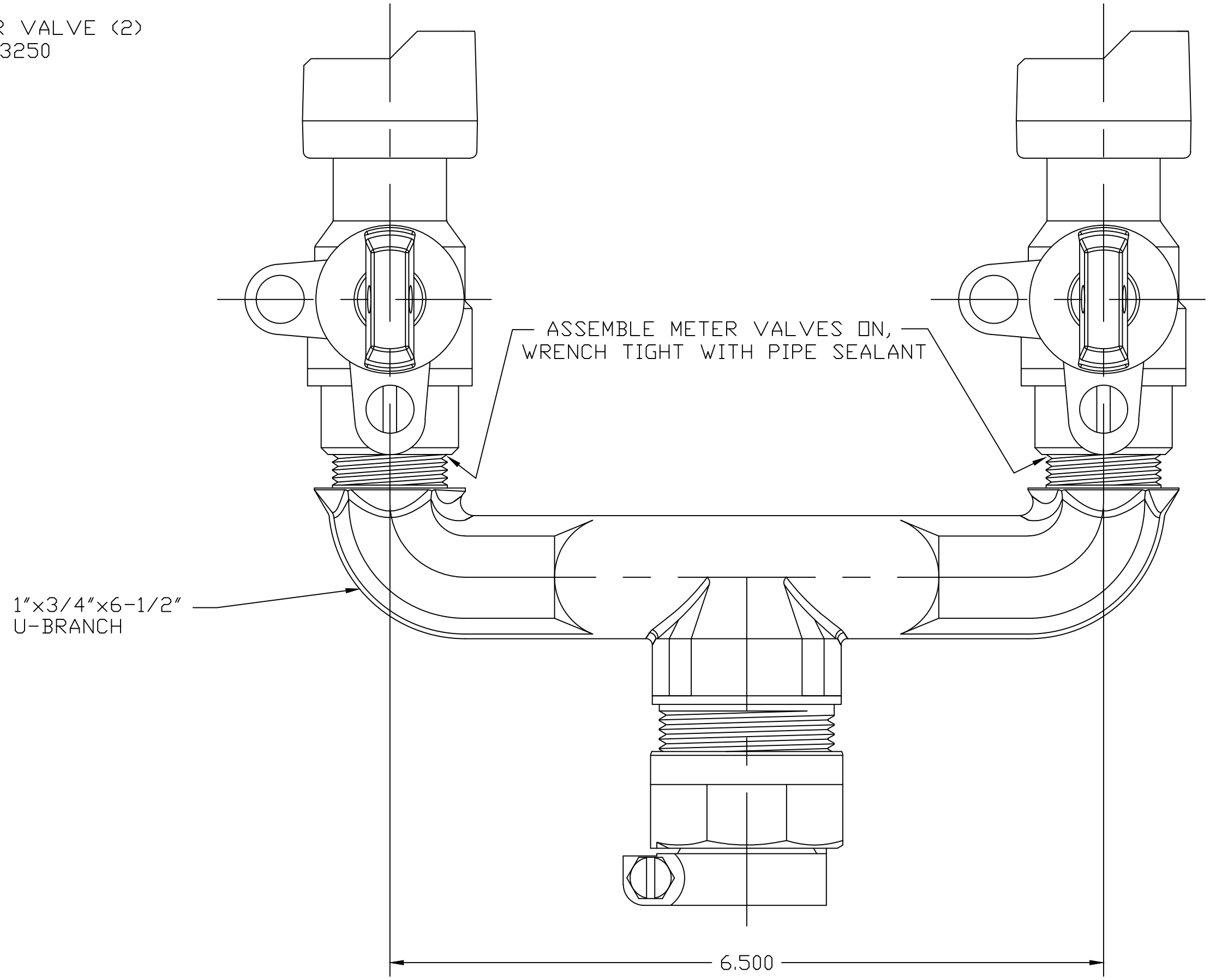
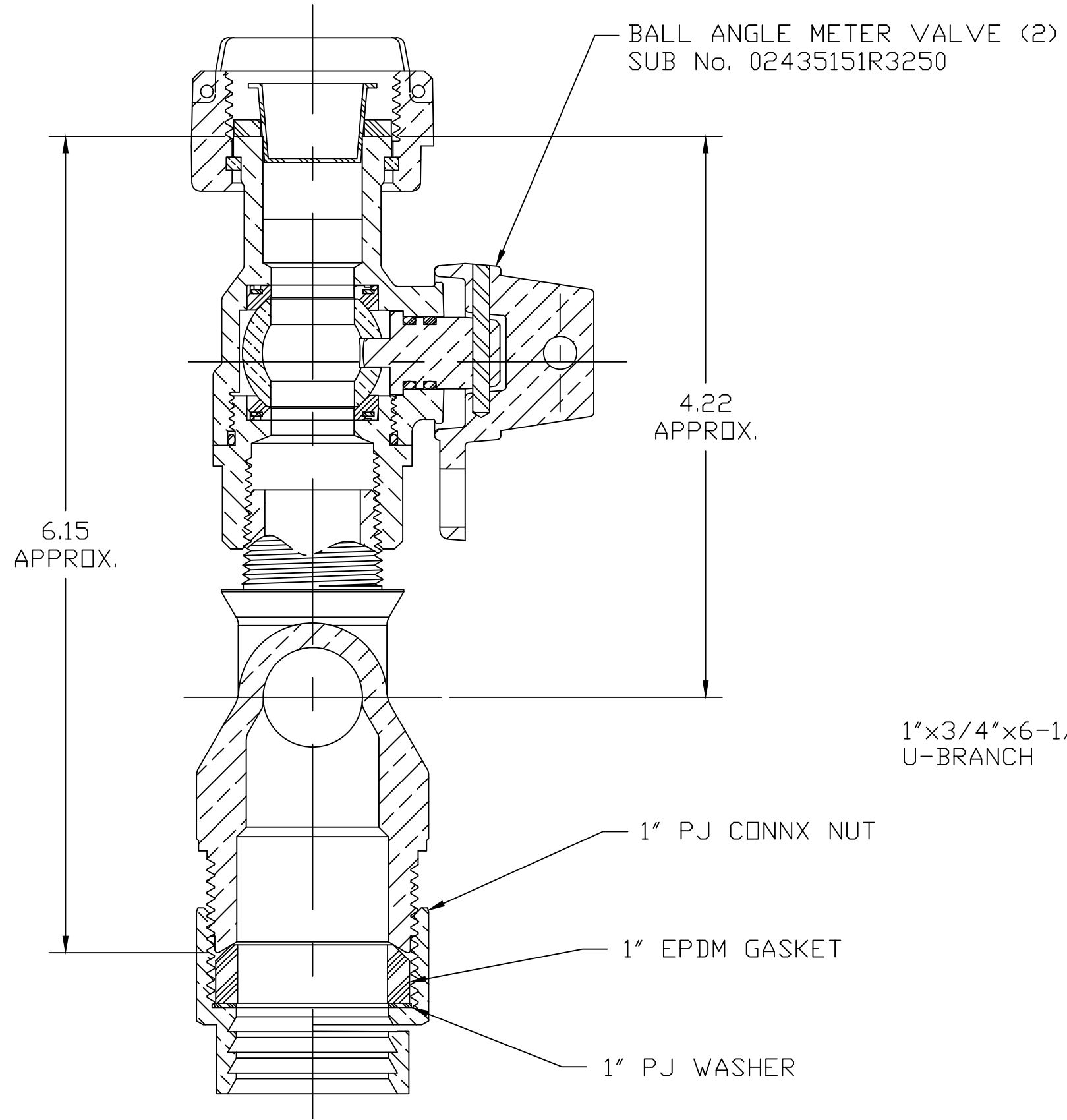


PART NUMBER
P1536310__400N



DRFTR	AD	03/06/23	MUELLER	
CHKR				
ENGR			UNLESS OTHERWISE NOTED	THIRD ANGLE PROJECTION
MGR				SURFACE PREPARATION: BREAK CORNER(S) ---- .000 SURFACE FINISH -- 000 RMS
	BY	DATE	TOLERANCE(S): LINEAR ----- ± .000 ANGULAR ----- ± 0°00'	FULL
STK No:				
MAT'L:				
DESCR. 1" x 3/4" x 6-1/2" U-BRANCH CONNX. WITH METER VALVES x PJ 'CTS'			PART NUMBER P1536310__400N	