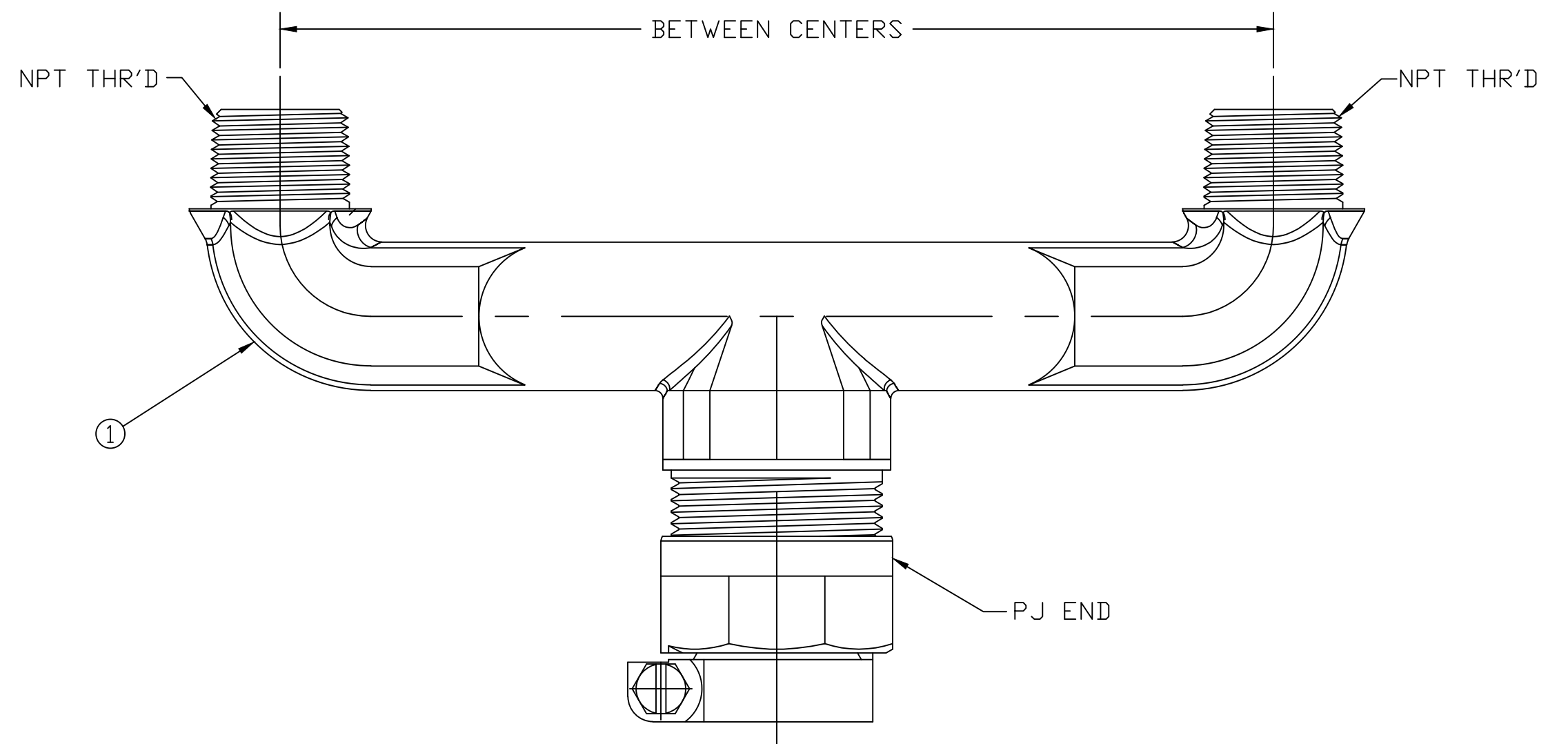
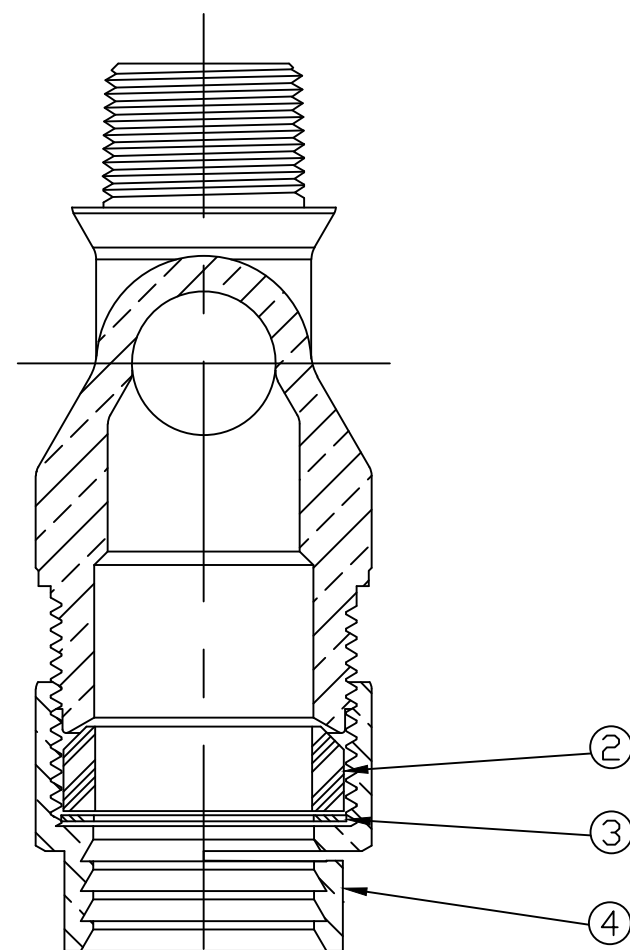


DWG NUMBER
P15363N

No.	DESCRIPTION	MATERIAL
1	BRANCH	LEAD FREE BRASS ALLOY ASTM B584
2	PJ GASKET	EPDM D2000
3	PJ WASHER	POLYPROPYLENE
4	PJ CPLG NUT	CAST BRASS ALLOY ASTM B584

SIZE CODE	PJ SIZE	NPT SIZE	BRANCH BETWEEN CENTERS
323	3/4"	3/4"	7-1/2"
400	1"	3/4"	6-1/2"
402	1"	3/4"	7-1/2"
404	1"	3/4"	13-1/2"
411	1-1/2"	3/4"	7-1/2"
488	1"	1"	7-1/2"
496	1-1/2"	1"	7-1/2"



MEETS ALL REQUIREMENTS OF AWWA C800
 ALL WETTED PARTS ARE LEAD FREE BRASS ALLOY C89833/C87850
 ALL NON WETTED PARTS ARE BRASS ALLOY C83600/C87850

DRFTR	AD	03/06/23	MUELLER	
CHKR				
ENGR			UNLESS OTHERWISE NOTED SURFACE PREPARATION: BREAK CORNER(S) ---- .000 SURFACE FINISH -- XX RMS TOLERANCE(S): LINEAR ----- ± .000 ANGULAR ----- ± 0°00'	
MGR				
	BY	DATE	THIRD ANGLE PROJECTION	REF. No.
STK No:				SCALE
				NONE
MAT'L:				

TITLE TO AND OWNERSHIP OF THIS ENGINEERING DATA REMAINS IN Mueller Co. NO USE IS TO BE MADE OF THIS DATA EXCEPT AS SPECIFICALLY AUTHORIZED BY Mueller Co. ASSENT ON THE PART OF THE RECIPIENT TO THESE CONDITIONS IS PRESUMED.

DESCR.	U-BRANCH CONNX. PJ CTS x MIP x MIP	DWG NUMBER P15363N
--------	---------------------------------------	-----------------------