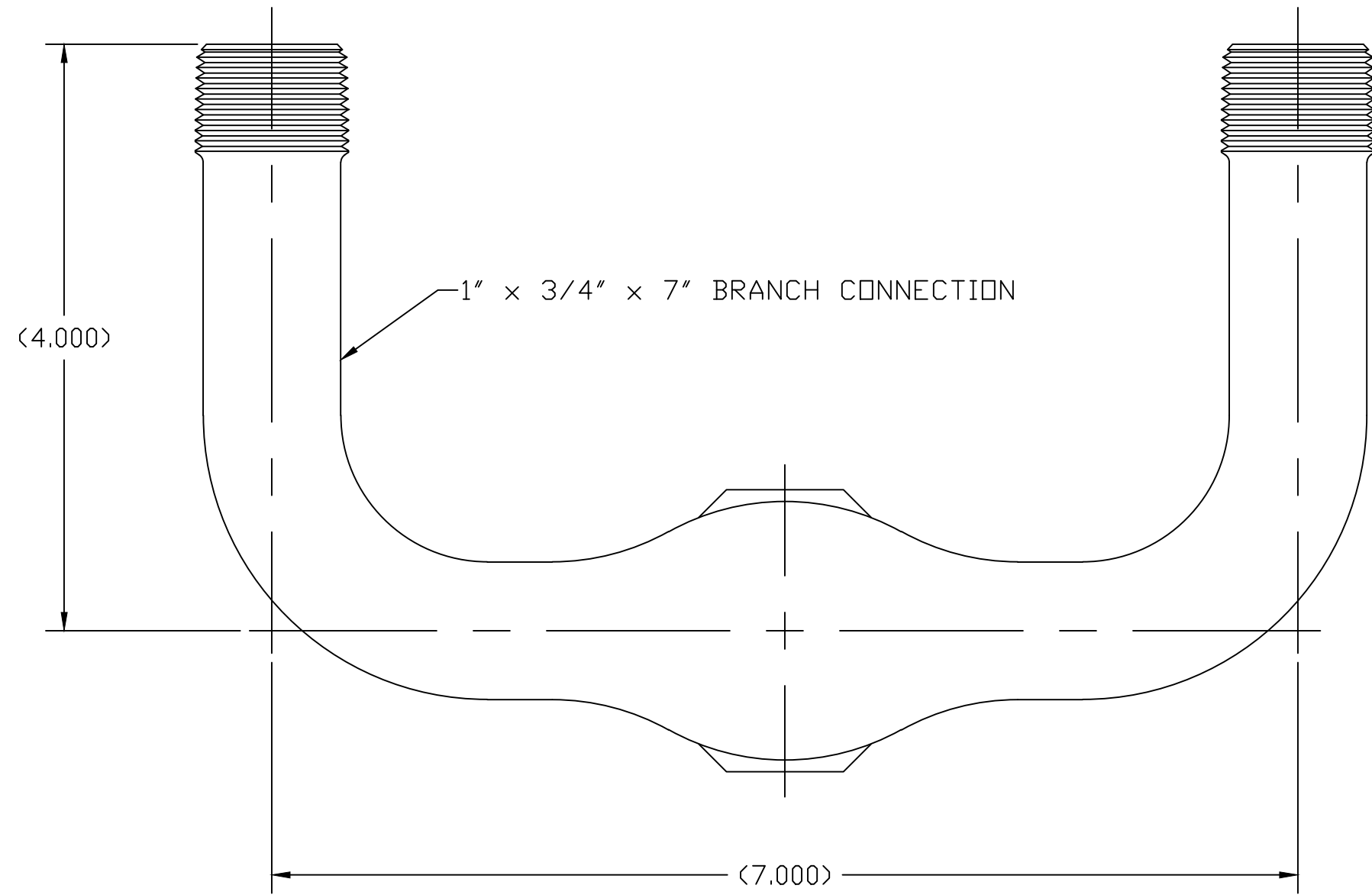
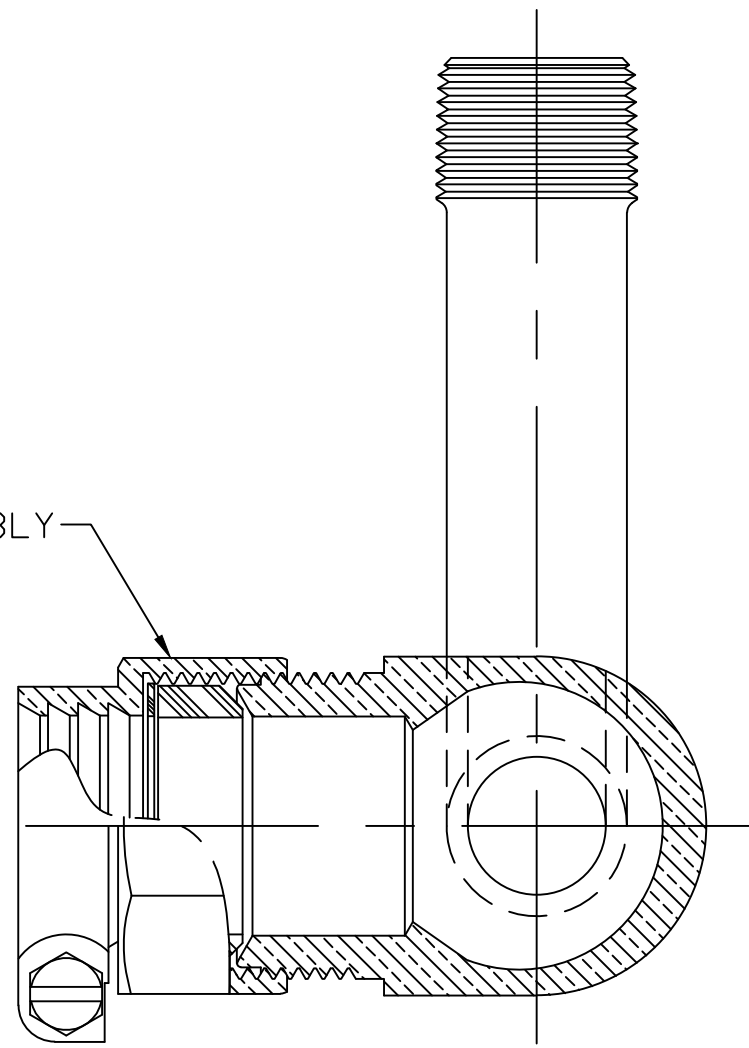


DWG NUMBER  
P15369\_\_\_\_401N

1" CTS PJ ASSEMBLY



ALL WETTED PARTS ARE LOW LEAD BRASS ALLOY

FILEPATH: PROD-ENG\MUELLER\ASYSUBMITTALS\P15369 401N

						DRFTR	RWB	6/25/19	<b>MUELLER</b>	THIRD ANGLE PROJECTION 	
						CHKR					
						ENGR					
						MGR					
							BY	DATE	UNLESS OTHERWISE NOTED	REF. No.	
									SURFACE PREPARATION:	SCALE	
									BREAK CORNER(S) ---- .000	FULL	
									SURFACE FINISH -- .000 RMS		
									TOLERANCE(S):		
									LINEAR ----- ± .000		
									ANGULAR ----- ± 0°00'		
									MAT'L:		
									DESCR.	DWG NUMBER	
									1" x 3/4" x 7" LLB U-BRANCH CONN	P15369____401N	
						PER EST NO: DXXXX EST FIN WT = 0.0000 lbs					

TITLE TO AND OWNERSHIP OF THIS ENGINEERING DATA REMAINS IN Mueller Co. NO USE IS TO BE MADE OF THIS DATA EXCEPT AS SPECIFICALLY AUTHORIZED BY Mueller Co. ASSENT ON THE PART OF THE RECIPIENT TO THESE CONDITIONS IS PRESUMED