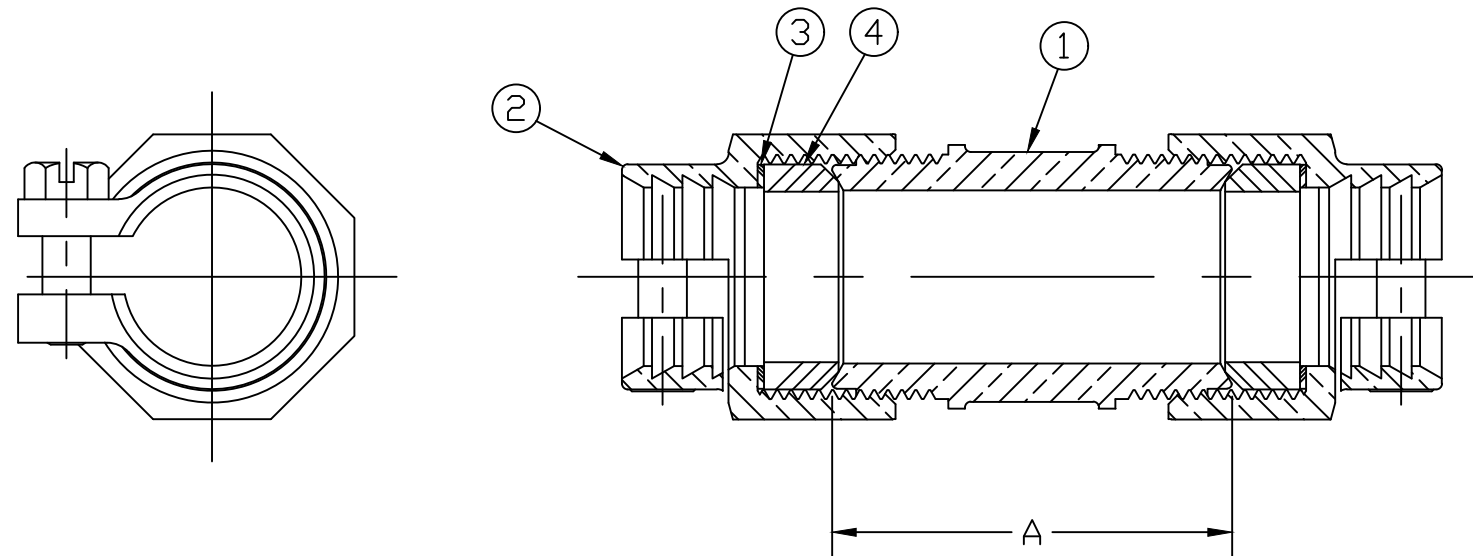


No.	QTY.	DESCRIPTION	MATERIAL
1	1	SPUD	LEAD FREE BRASS ALLOY ASTM B584
2	2	PJ CPLG NUT	CAST BRASS ALLOY ASTM B584
3	2	PJ GASKET	EPDM D2000
4	2	PJ WASHER	POLYPROPYLENE



SIZE	A
3/4	2.062
1	2.406
1x3/4	1.835
1-1/2	3.312
1-1/2x1	2.840
2	3.375

MEETS ALL REQUIREMENTS OF AWWA C800  
 ALL WETTED PARTS ARE LEAD FREE BRASS ALLOY C89833/C87850  
 ALL NON WETTED PARTS ARE BRASS ALLOY C83600/C87850

DWG NUMBER  
P15403N

TITLE TO AND OWNERSHIP OF THIS ENGINEERING  
 DATA REMAINS IN Mueller Co. NO USE IS TO BE  
 MADE OF THIS DATA EXCEPT AS SPECIFICALLY  
 AUTHORIZED BY Mueller Co. ASSENT ON THE PART  
 OF THE RECIPIENT TO THESE CONDITIONS IS PRESUMED

DRFTR	AD	02/27/23	<b>MUELLER</b>	
CHKR				
ENGR			UNLESS OTHERWISE NOTED SURFACE PREPARATION: BREAK CORNER(S) ---- .000 SURFACE FINISH -- 000 RMS TOLERANCE(S): LINEAR ----- ± .000 ANGULAR ----- ± 0°00'	THIRD ANGLE PROJECTION 
MGR				REF. No.
	BY	DATE		
STK No:				
MAT'L:				
DESCR.			P-15403 STRAIGHT SERVICE FITTING (PJ CTS x PJ CTS)	
			DWG NUMBER P15403N	