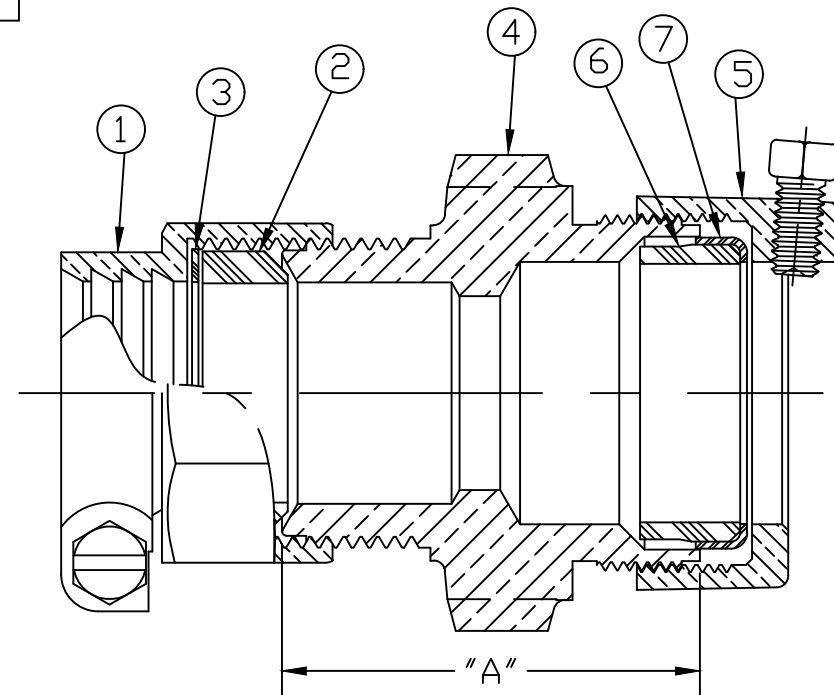


No.	DESCRIPTION	MATERIAL
1	PJ CPLG NUT W/ SCREW	CAST BRASS ALLOY ASTM B584
2	PJ GASKET	EPDM D2000
3	PJ PLASTIC WASHER	POLYPROPYLENE
4	SPUD	LEAD FREE BRASS ALLOY ASTM B584
5	COUPLING NUT	CAST BRASS ALLOY ASTM B584
6	PLAIN GASKET	EPDM D2000
7	RETAINER CUP	STEEL ASTM A245



SIZE	A
3/4	1.84
1	2.15

MEETS ALL REQUIREMENTS OF AWWA C800
 ALL WETTED PARTS ARE LEAD FREE BRASS ALLOY C89833/C87850
 ALL NON WETTED PARTS ARE BRASS ALLOY C83600/C87850

DWG NUMBER
P15421N

DRFTR	AD	03/02/23	MUELLER	
CHKR				
ENGR			UNLESS OTHERWISE NOTED	THIRD ANGLE PROJECTION
MGR				SURFACE PREPARATION: BREAK CORNER(S) ---- .000 SURFACE FINISH -- XX RMS TOLERANCE(S): LINEAR ----- ± .000 ANGULAR ----- ± 0°00'
	BY	DATE	REF. No.	SCALE
STK No:				FULL
MAT'L:				
DESCR.	PJ CTS x DRESSER STYLE 65 SERVICE FITTING			DWG NUMBER
				P15421N

TITLE TO AND OWNERSHIP OF THIS ENGINEERING DATA REMAINS IN Mueller Co. NO USE IS TO BE MADE OF THIS DATA EXCEPT AS SPECIFICALLY AUTHORIZED BY Mueller Co. ASSENT ON THE PART OF THE RECIPIENT TO THESE CONDITIONS IS PRESUMED