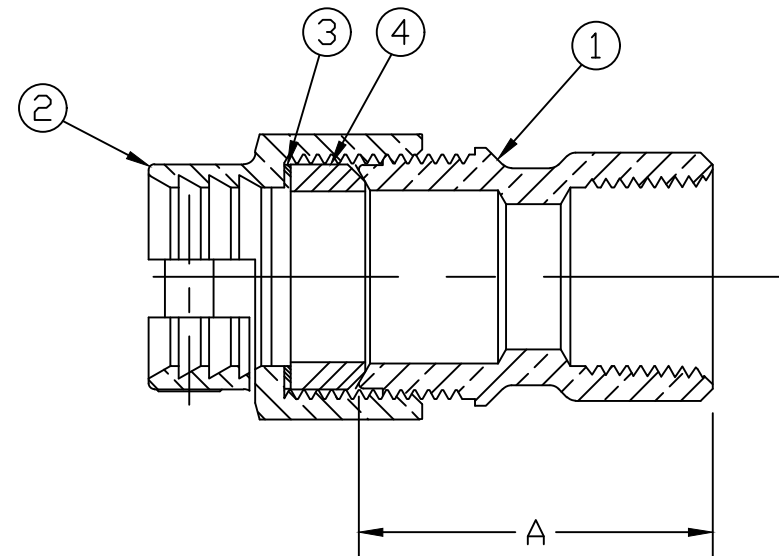


No.	DESCRIPTION	MATERIAL
1	SPUD	LEAD FREE BRASS ALLOY ASTM B584
2	PJ CPLG NUT	CAST BRASS ALLOY ASTM B584
3	PJ GASKET	EPDM D2000
4	PJ WASHER	POLYPROPYLENE



SIZE	A
3/4	1.965
3/4x1	1.766
1	2.094
1x3/4	1.625
1-1/2	2.500
2	2.562
2x1-1/2	2.265

MEETS ALL REQUIREMENTS OF AWWA C800
 ALL WETTED PARTS ARE LEAD FREE BRASS ALLOY C89833/C87850
 ALL NON WETTED PARTS ARE BRASS ALLOY C83600/C87850

DWG NUMBER
P15451N

TITLE TO AND OWNERSHIP OF THIS ENGINEERING
 DATA REMAINS IN Mueller Co. NO USE IS TO BE
 MADE OF THIS DATA EXCEPT AS SPECIFICALLY
 AUTHORIZED BY Mueller Co. ASSENT ON THE PART
 OF THE RECIPIENT TO THESE CONDITIONS IS PRESUMED

DRFTR	AD	02/27/23	MUELLER	
CHKR				
ENGR			UNLESS OTHERWISE NOTED	THIRD ANGLE PROJECTION
MGR				
	BY	DATE	SURFACE PREPARATION: BREAK CORNER(S) ---- .000	REF. No.
			SURFACE FINISH -- XX RMS	
STK No:			TOLERANCE(S): LINEAR ----- ± .000	NONE
			ANGULAR ----- ± 0°00'	
MAT'L:				
DESCR.	STRAIGHT SERVICE FITTING (PJ CTS x FIP)			DWG NUMBER P15451N