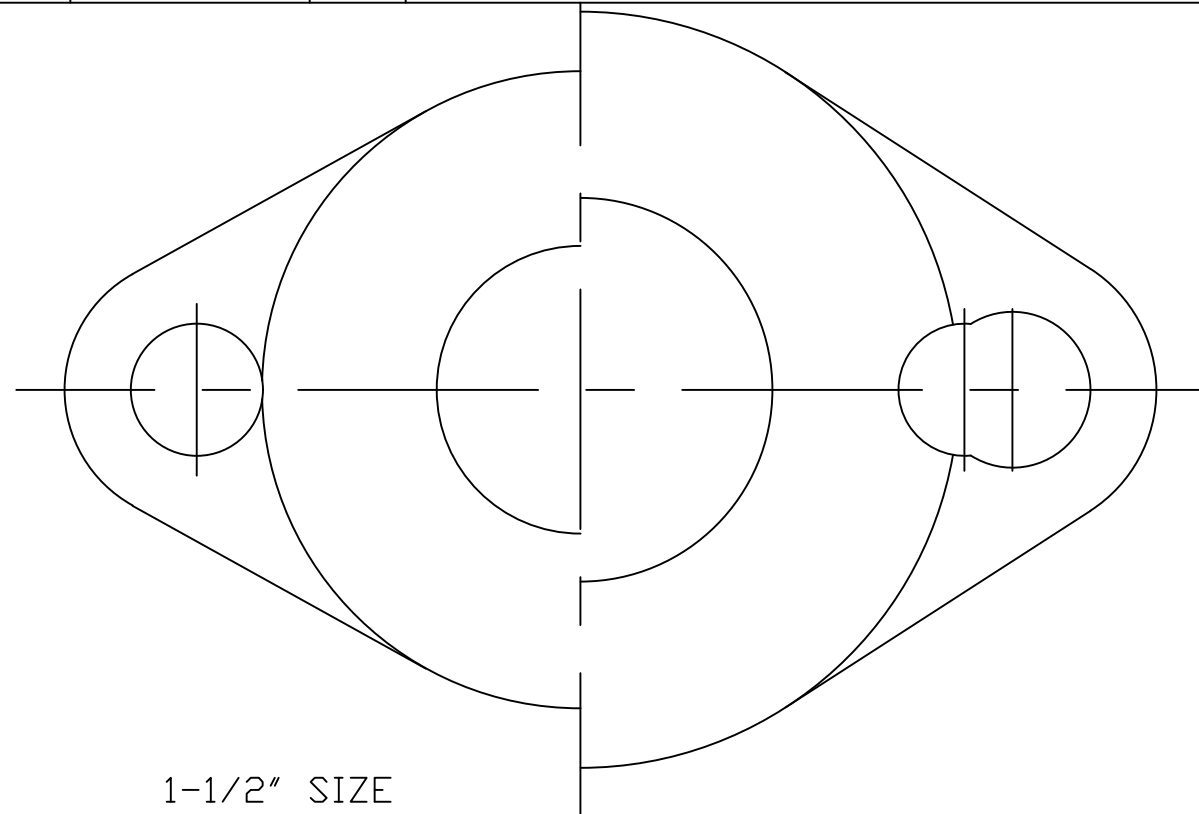


No.	DESCRIPTION	REQ'D	MATERIAL DESCRIPTION
1	BODY	1	LEAD FREE BRASS ALLOY ASTM B584
2	CAP	1	CAST BRASS ALLOY ASTM B584
3	STEM	1	LEAD FREE BRASS ALLOY ASTM B584/B371
4	BALL	1	LEAD FREE BRASS ALLOY ASTM B584
5	GASKET	2	EPDM D2000
6	SOLID PIN	1	AISI 304 ANNEALED STAINLESS STEEL
7	O-RING	2	EPDM D2000
8	END PIECE	1	LEAD FREE BRASS ALLOY ASTM B584
9	O-RING	1	EPDM D2000
10	PJ GSKT	1	BUNA-N ASTM D2000
11	PJ WASHER	1	POLYPROPYLENE
12	CLPG NUT	1	CAST BRASS ALLOY ASTM B584

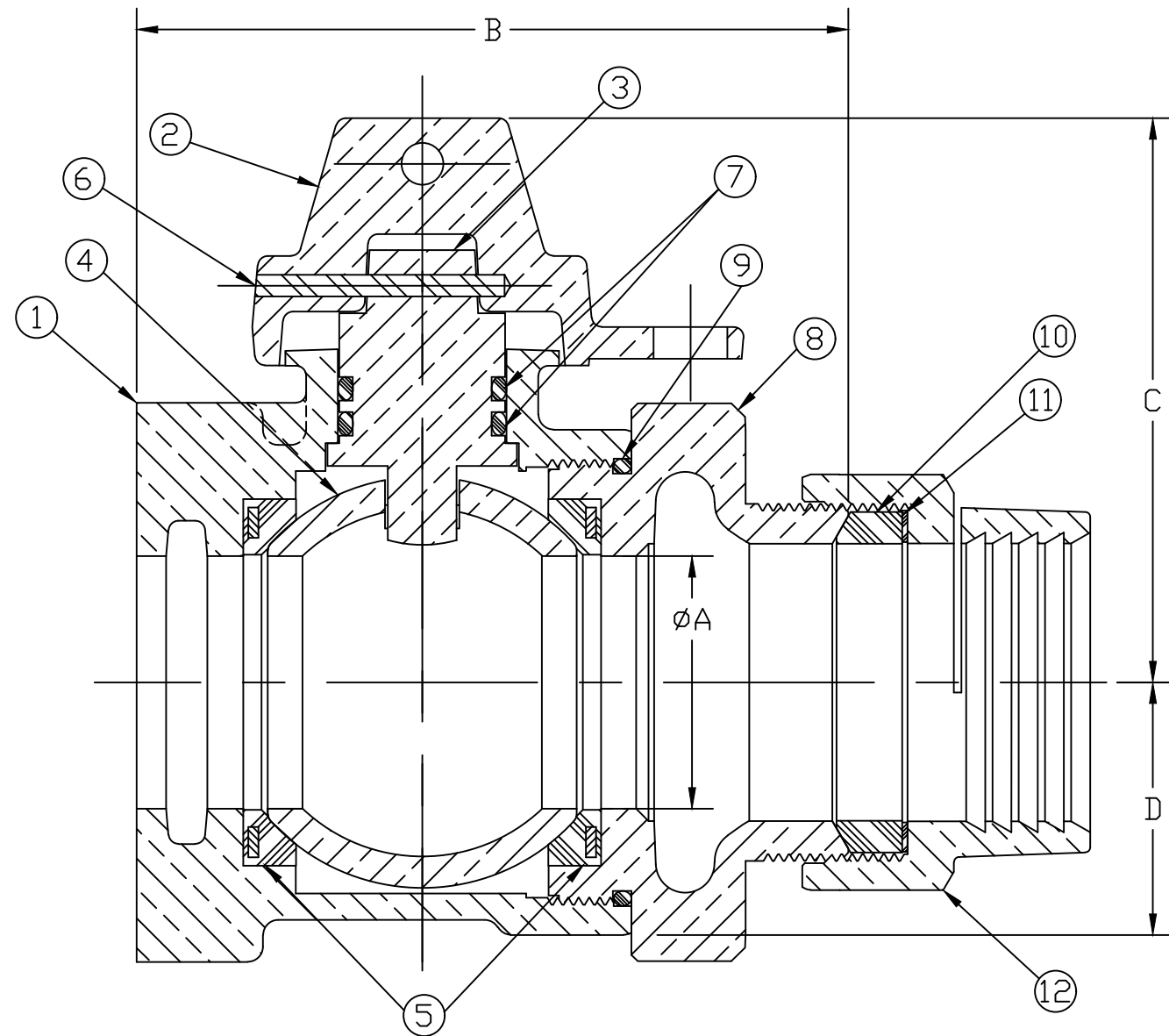
VALVE SIZE	A	B	C	D
1-1/2"	1.50	4.23	3.36	1.50
2"	2.00	5.64	3.91	1.82



1-1/2" SIZE

2" SIZE  
(DBL DRILLED)

MEETS ALL REQUIREMENTS OF AWWA C800  
 ALL STEMS ARE LEAD FREE BRASS ALLOY C89833/C69300  
 ALL WETTED PARTS ARE LEAD FREE BRASS ALLOY C89833/C87850  
 ALL NON WETTED PARTS ARE BRASS ALLOY C83600/C87850



DRFTR	AD	03/13/23	<b>MUELLER</b>	
CHKR				
ENGR			UNLESS OTHERWISE NOTED SURFACE PREPARATION: BREAK CORNER(S) ---- .000 SURFACE FINISH -- XX RMS	THIRD ANGLE PROJECTION
MGR				TOLERANCE(S): LINEAR ----- ± .000 ANGULAR ----- ± 0°00'
	BY	DATE		SCALE
STK No:				
MAT'L:				
DESCR.			INLINE BALL METER VALVE (MTR FLG x PJ CTS)	DWG NUMBER P24335N

DWG NUMBER  
P24335N

TITLE TO AND OWNERSHIP OF THIS ENGINEERING  
 DATA REMAINS IN Mueller Co. NO USE IS TO BE  
 MADE OF THIS DATA EXCEPT AS SPECIFICALLY  
 AUTHORIZED BY Mueller Co. ASSENT ON THE PART  
 OF THE RECIPIENT TO THESE CONDITIONS IS PRESUMED