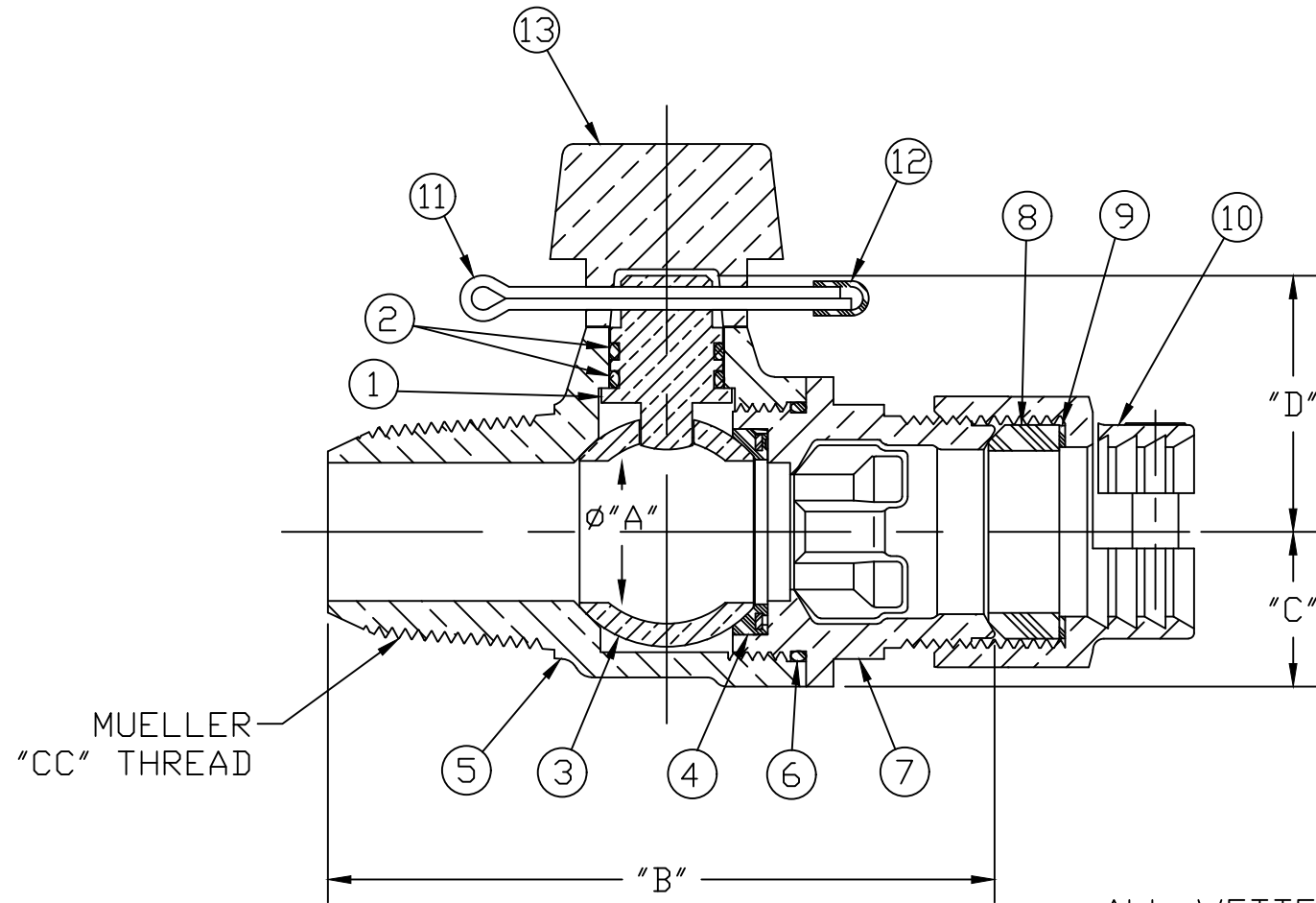


No.	DESCRIPTION	MATERIAL
1	STEM	NO LEAD BRASS ALLOY
2	O-RING	EPDM D2000
3	BALL	NO LEAD BRASS ALLOY
4	GASKET - SEAL	NITRILE D2000
5	BODY	CAST NO LEAD BRASS ALLOY
6	O-RING	EPDM D2000
7	END PIECE	CAST NO LEAD BRASS ALLOY
8	PJ GASKET	BUNA-N ASTM D2000
9	PJ WASHER	POLYPROPYLENE
10	CLPG NUT SUB	CAST BRASS ASTM B62 ALLOY C83600
11	COTTER PIN	STAINLESS STEEL
12	SILICON CAP	SILICON RUBBER
13	T-HEAD CAP	CAST BRASS ASTM B62 ALLOY C83600



SIZE	ØA	B	C	D
3/4	.75	3.62	.84	1.36
1	1.00	4.65	1.15	1.56

ALL WETTED PARTS ARE NO LEAD BRASS ALLOY

FILEPATH: PROD-ENG\MUELLER\ASYSUBMITTALS\P2500800N

						DRFTR	RWB	6/19/13	<b>MUELLER</b>	UNLESS OTHERWISE NOTED THIRD ANGLE PROJECTION SURFACE PREPARATION: BREAK CORNER(S) ---- .000 SURFACE FINISH -- XX RMS TOLERANCE(S): LINEAR ----- ± .000 ANGULAR ----- ± 0°00'	REF. No.	SCALE NONE
						CHKR						
						ENGR						
						MGR						
								BY	DATE			
								STK No:				
								MAT'L:				
								DESCR.	MUELLER CORP. STOP NLB BALL VALVE W/ T-HEAD CAP ("CC" x PJ CTS)		DWG NUMBER P2500800N	
REV	ECR	DESCRIPTION	DATE	BY	CHKR	PER EST NO: DXXXX EST FIN WT = 0.0000 lbs						

TITLE TO AND OWNERSHIP OF THIS ENGINEERING DATA REMAINS IN Mueller Co. NO USE IS TO BE MADE OF THIS DATA EXCEPT AS SPECIFICALLY AUTHORIZED BY Mueller Co. ASSENT ON THE PART OF THE RECIPIENT TO THESE CONDITIONS IS PRESUMED

DWG NUMBER  
P2500800N