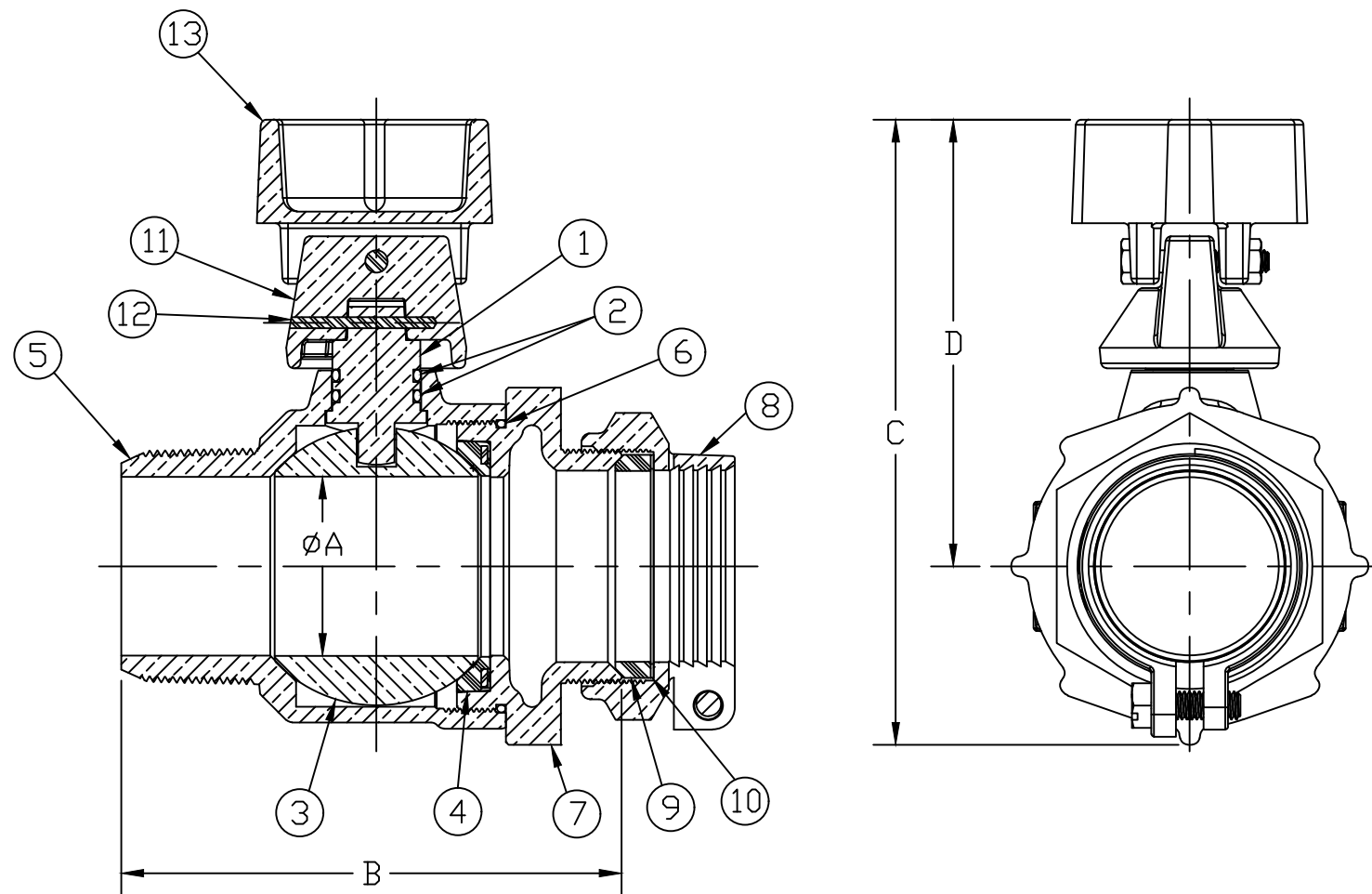


No.	DESCRIPTION	MATERIAL DESCRIPTION
1	STEM	NO LEAD BRASS ALLOY
2	O-RING	ASTM D2000 (EP)
3	BALL	NO LEAD BRASS ALLOY
4	RUBBER GASKET	ASTM D2000 (NITRILE)
5	BODY	CAST NO LEAD BRASS ALLOY
6	O-RING	ASTM D2000 (EP)
7	END PIECE	CAST NO LEAD BRASS ALLOY
8	PJ CPLG NUT	CAST BRASS ASTM B62 ALLOY C83600
9	PJ GASKET	ASTM D2000 (NITRILE)
10	PJ WASHER	POLYPROPYLENE
11	CAP	CAST BRASS ASTM B62 ALLOY C83600
12	ROLLPIN	ASTM A240 TYPE 302
13	OPERATING NUT	CAST BRASS ASTM B62 ALLOY C83600

SIZE	ØA	B	C	D
2"	2.00	5.61	7.01	5.00



ALL WETTED PARTS ARE NO LEAD BRASS ALLOY

FILEPATH: PROD-ENG\MUELLER\ASYSUBMITTALS\P2500839N

						DRFTR	RWB	4/1/20	<b>MUELLER</b>	UNLESS OTHERWISE NOTED THIRD ANGLE PROJECTION SURFACE PREPARATION: BREAK CORNER(S) ---- .000 SURFACE FINISH -- XX RMS TOLERANCE(S): LINEAR ----- ± .000 ANGULAR ----- ± 0°00'	REF. No.	SCALE NONE
						CHKR						
						ENGR						
						MGR						
							BY	DATE	STK No:			
									MAT'L:			
									DESCR.	BALL NLB CORPORATION VALVE W/ 2" SQ. OPERATING NUT (CC x PJ CTS)	DWG NUMBER	P2500839N
REV	ECR	DESCRIPTION	DATE	BY	CHKR	PER EST NO: DXXXX		EST FIN WT = 0.0000 lbs				

DWG NUMBER  
**P2500839N**  
 442-MRKTG

TITLE TO AND OWNERSHIP OF THIS ENGINEERING  
 DATA REMAINS IN Mueller Co. NO USE IS TO BE  
 MADE OF THIS DATA EXCEPT AS SPECIFICALLY  
 AUTHORIZED BY Mueller Co. ASSENT ON THE PART  
 OF THE RECIPIENT TO THESE CONDITIONS IS PRESUMED