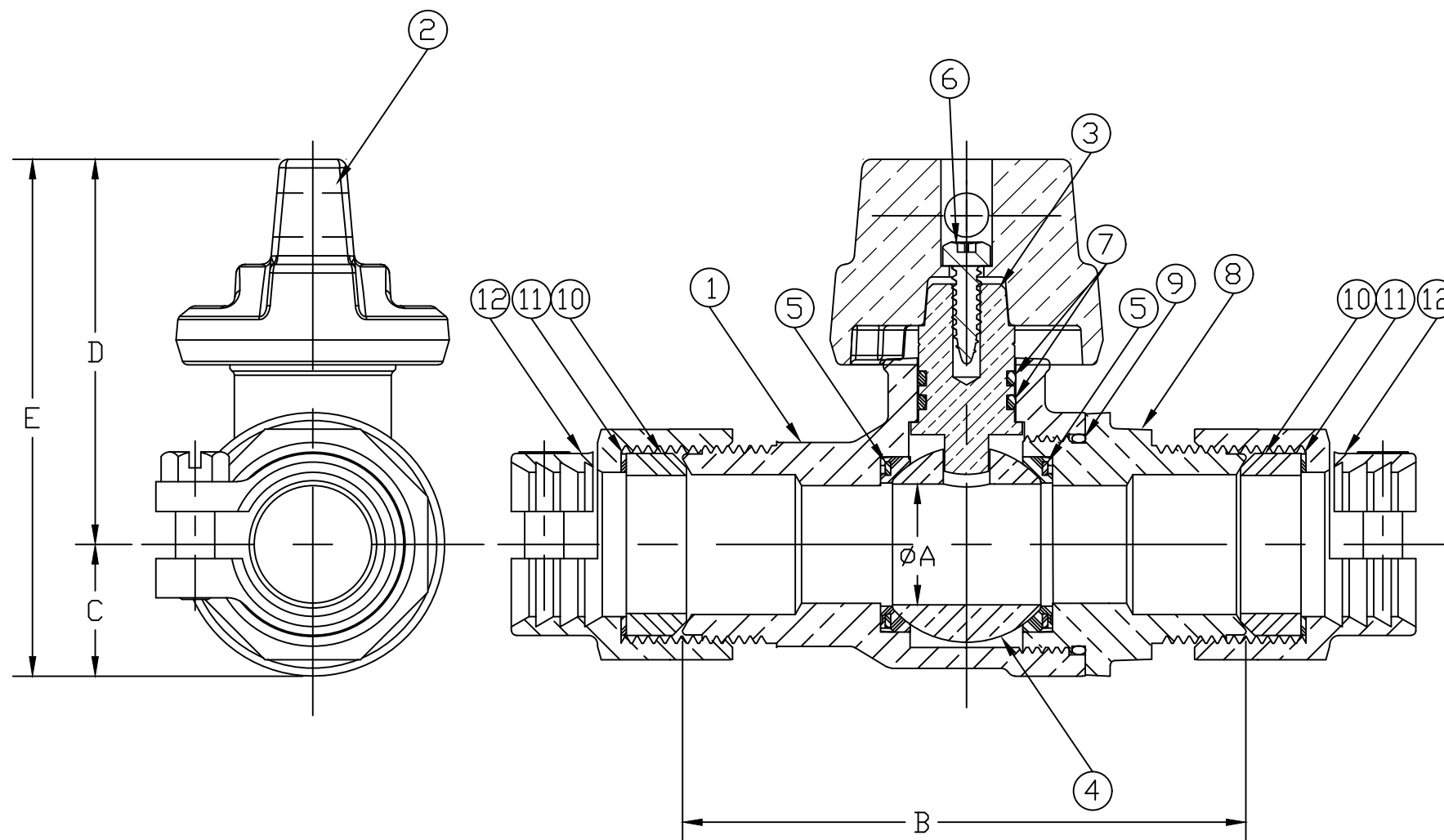


No.	DESCRIPTION	MATERIAL DESCRIPTION
1	BODY	LEAD FREE BRASS ALLOY ASTM B584
2	CAP	CAST BRASS ALLOY ASTM B584
3	STEM	LEAD FREE BRASS ALLOY ASTM B584/B371
4	BALL	LEAD FREE BRASS ALLOY ASTM B584
5	GASKET	EPDM D2000
6	SCREW	18-8 STAINLESS STEEL
7	O-RING	EPDM D2000
8	END PIECE	LEAD FREE BRASS ALLOY ASTM B584
9	O-RING	EPDM D2000
10	PJ GASKET	ASTM D2000 (BUNA N)
11	WASHER	POLYPROPYLENE
12	CLPG NUT SUB	CAST BRASS ALLOY ASTM B584

SIZE	ØA	B	C	D	E
3/4"R	.63	3.44	.75	2.12	2.87
3/4"	.75	3.59	.84	2.12	2.96
1"R	.75	4.00	.84	2.12	2.96
1"	1.00	5.03	1.15	2.32	3.47
1 1/2"	1.50	5.06	1.50	3.37	4.87
2"	2.00	5.52	1.82	3.92	5.74



MEETS ALL REQUIREMENTS OF AWWA C800
 ALL STEMS ARE LEAD FREE BRASS ALLOY C89833/C69300
 ALL WETTED PARTS ARE LEAD FREE BRASS ALLOY C89833/C87850
 ALL NON WETTED PARTS ARE BRASS ALLOY C83600/C87850

DWG NUMBER
P25209N

TITLE TO AND OWNERSHIP OF THIS ENGINEERING
 DATA REMAINS IN Mueller Co. NO USE IS TO BE
 MADE OF THIS DATA EXCEPT AS SPECIFICALLY
 AUTHORIZED BY Mueller Co. ASSENT ON THE PART
 OF THE RECIPIENT TO THESE CONDITIONS IS PRESUMED

DRFTR	AD	03/09/23	MUELLER		
CHKR					
ENGR			UNLESS OTHERWISE NOTED SURFACE PREPARATION: BREAK CORNER(S) ---- .000 SURFACE FINISH --XX RMS	THIRD ANGLE PROJECTION	
MGR				REF. No.	SCALE
	BY	DATE	LINER ----- ± .000		FULL
			ANGULAR ----- ± 0°00'		
STK No:	MAT'L:				
DESCR.	DESCR.			INLINE BALL CURB VALVE (PJ x PJ)	DWG NUMBER P25209N