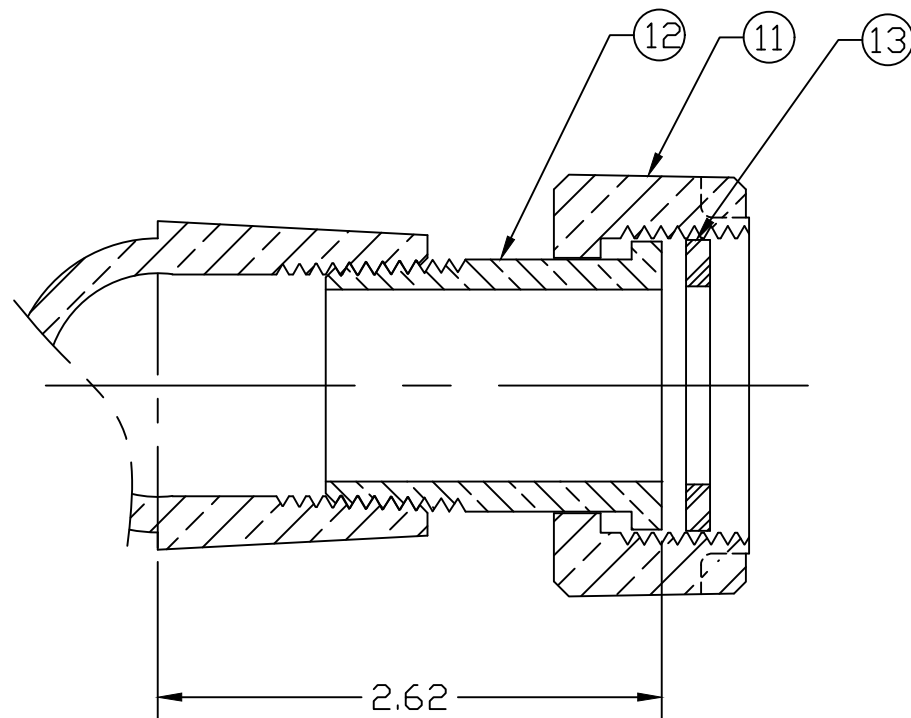
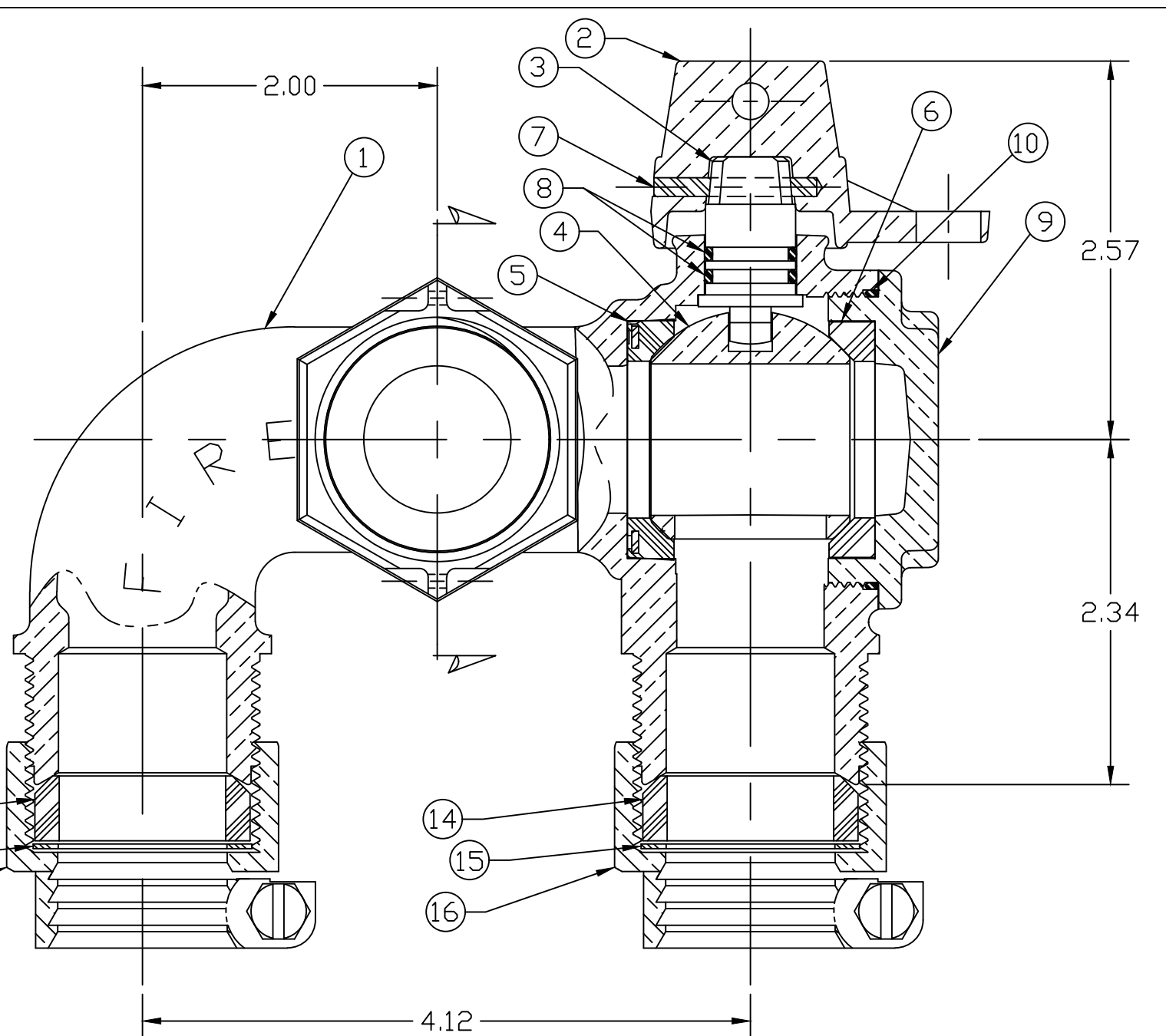


| No. | DESCRIPTION | MATERIAL DESCRIPTION |
|-----|---------------|--------------------------------------|
| 1 | BODY | LEAD FREE BRASS ALLOY ASTM B584 |
| 2 | CAP | CAST BRASS ALLOY ASTM B584 |
| 3 | STEM | LEAD FREE BRASS ALLOY ASTM B584/B371 |
| 4 | BALL | LEAD FREE BRASS ALLOY ASTM B584 |
| 5 | SEAT (RUBBER) | EPDM D2000 |
| 6 | SEAT (DELFIN) | (WHITE) DELFIN |
| 7 | SOLID PIN | AISI 303 STAINLESS STEEL |
| 8 | O-RING | EPDM D2000 |
| 9 | END CAP | LEAD FREE BRASS ALLOY ASTM B584 |
| 10 | O-RING | EPDM D2000 |
| 11 | PLAIN NUT | CAST BRASS ALLOY ASTM B584 |
| 12 | TAILPIECE | LEAD FREE BRASS ALLOY ASTM B584 |
| 13 | RUBBER GSKT | NITRILE ASTM D2000 |
| 14 | COMP GASKET | BUNA N ASTM D2000 |
| 15 | WASHER | POLYPROPYLENE |
| 16 | CLPG NUT SUB | CAST BRASS ALLOY ASTM B584 |



MEETS ALL REQUIREMENTS OF AWWA C800
 ALL STEMS ARE LEAD FREE BRASS ALLOY C89833/C69300
 ALL WETTED PARTS ARE LEAD FREE BRASS ALLOY C89833/C87850
 ALL NON WETTED PARTS ARE BRASS ALLOY C83600/C87850

DWG NUMBER
P25250N

TITLE TO AND OWNERSHIP OF THIS ENGINEERING
 DATA REMAINS IN Mueller Co. NO USE IS TO BE
 MADE OF THIS DATA EXCEPT AS SPECIFICALLY
 AUTHORIZED BY Mueller Co. ASSENT ON THE PART
 OF THE RECIPIENT TO THESE CONDITIONS IS PRESUMED

| | | | | |
|--------|------|----------|---|---|
| DRFTR | AD | 03/06/23 | MUELLER | |
| CHKR | | | | |
| ENGR | | | UNLESS OTHERWISE NOTED SURFACE PREPARATION: BREAK CORNER(S) ---- .000 SURFACE FINISH -- XX RMS | THIRD ANGLE PROJECTION |
| MGR | | | | TOLERANCE(S): LINEAR ----- ± .000 ANGULAR ----- ± 0°00' |
| BY | DATE | | STK No: | |
| MAT'L: | | | DESCR. | DWG NUMBER |
| | | | 1" RESIDENTIAL FIRE VALVE 360° TURN (PJ CTS x METER X PJ CTS) | P25250N |