

GATE VALVE

Metal Seated Solid Wedge Gate Valve

CONSTRUCTION SPECIFICATIONS

Sizes	2" through 96"
Pressure Rating	250 psi (optional 300 psi)
Flange Drilling	ANSI B 16.1 CL 125# Standard (250# drilling available upon request)
Body	Ductile Iron (ASTM A536 Gr. 65-45-12)
Disc	Ductile Iron (ASTM A536 Gr. 65-45-12)
Disc & Seat Ring	Bronze (ASTM B148 Gr. C95800)

Designed and manufactured for use in wastewater and sewage applications, the Pratt® Metal Seated Solid Wedge Valve is available in both Non-Rising Stem (NRS) and Outside Stem & Yolk (OS&Y) designs. Available in sizes 2" through 96" the Metal Seated Solid Wedge Valve is designed in accordance with AWWA C500 standards as well as ANSI and ASTM standards. All valves 14" and larger are designed with bronze body and wedge guides. The valve is available with hand wheels, operating nuts and integrally cast mounting pads for gears or electric actuators and all valves are coated internally and externally with Fusion Bonded Epoxy (FBE) coating conforming to AWWA C500. The valves are certified to use in drinking water in accordance with ANSI / NSF 61 and ANSI / NSF 372 standards.

- Conforms to ANSI / NSF 61 and ANSI / NSF 372 standards
- Available with flanged or mechanical joint ends.
- Bronze trim with 316 stainless steel stems
- Bronze body and wedge guides in all valves 14" and larger
- Valves can be manufactured with by-pass valve assembly, position indicator, rollers and tracks for horizontal position etc.



- Full flow waterway assures top performance and prevents clogging
- Extra wide bronze surfaces on disc and seat provide large seating area
- Corrosion resistant one piece stem is manufactured using high strength stainless steel
- Corrosion fitting stem to wedge connection maintains alignment of components
- Ductile iron valve body and wedge coated with Fusion Bonded Epoxy (FBE)

SUGGESTED SPECIFICATION

Metal Seat Solid Wedge Valves for potable water, wastewater and sewage applications should be manufactured in accordance with AWWA C500 standards and conforms to ANSI / NSF 61 and ANSI / NSF 372 standards. Pressure containing components should be ductile iron ASTM A536 65-45-12 and wedge seating surfaces and body seat rings are be cast from ASTM B148 C95800 bronze. Stems should have integral collars and be machined from corrosion resistant grade 316 stainless steel. Body and bonnet fasteners shall be Type 316SS.

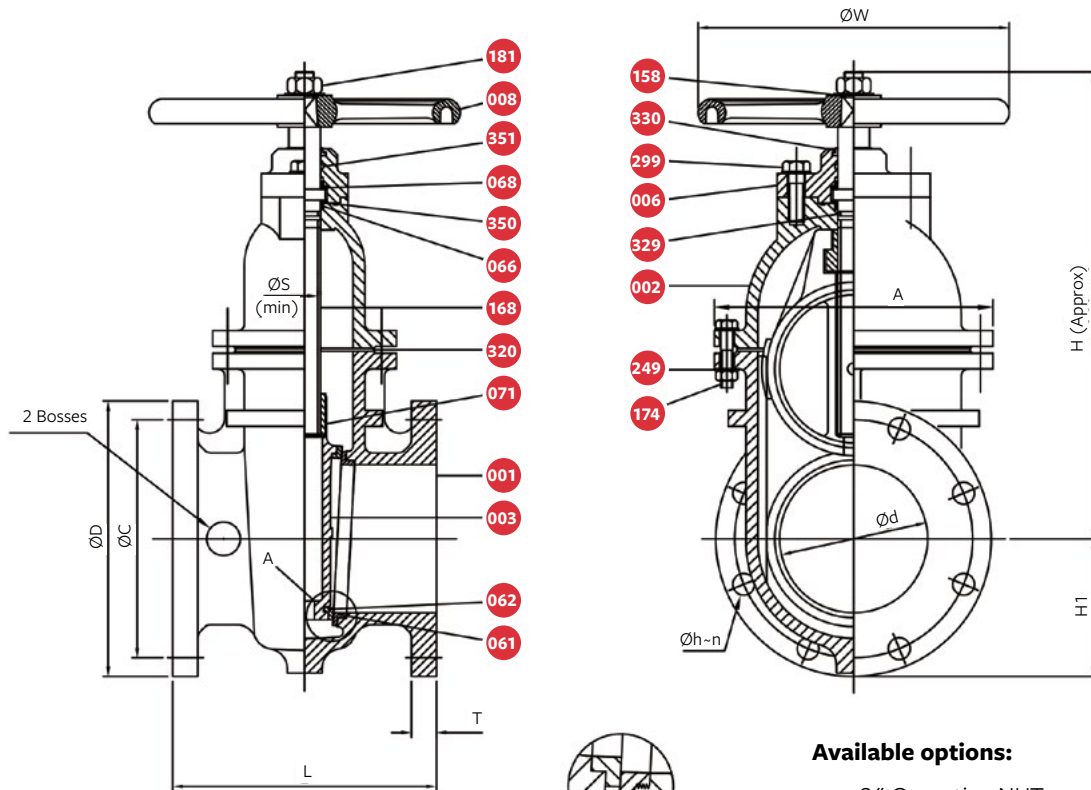
Wedge valves are to be designed and manufactured with minimal moving parts to prevent clogging or buildup of foreign matter. Valve coatings shall be consistent with AWWA C500 standard. Valve testing and all markings shall conform to AWWA C500 standard.



Contact a Pratt representative at 800.423.1323 for additional information and certified product drawings.

NON-RISING STEM (NRS) GATE VALVE 250 PSI

DIRECT MOUNT HANDWHEEL, 125# FLANGES (SIZE 2" - 12")



Available options:

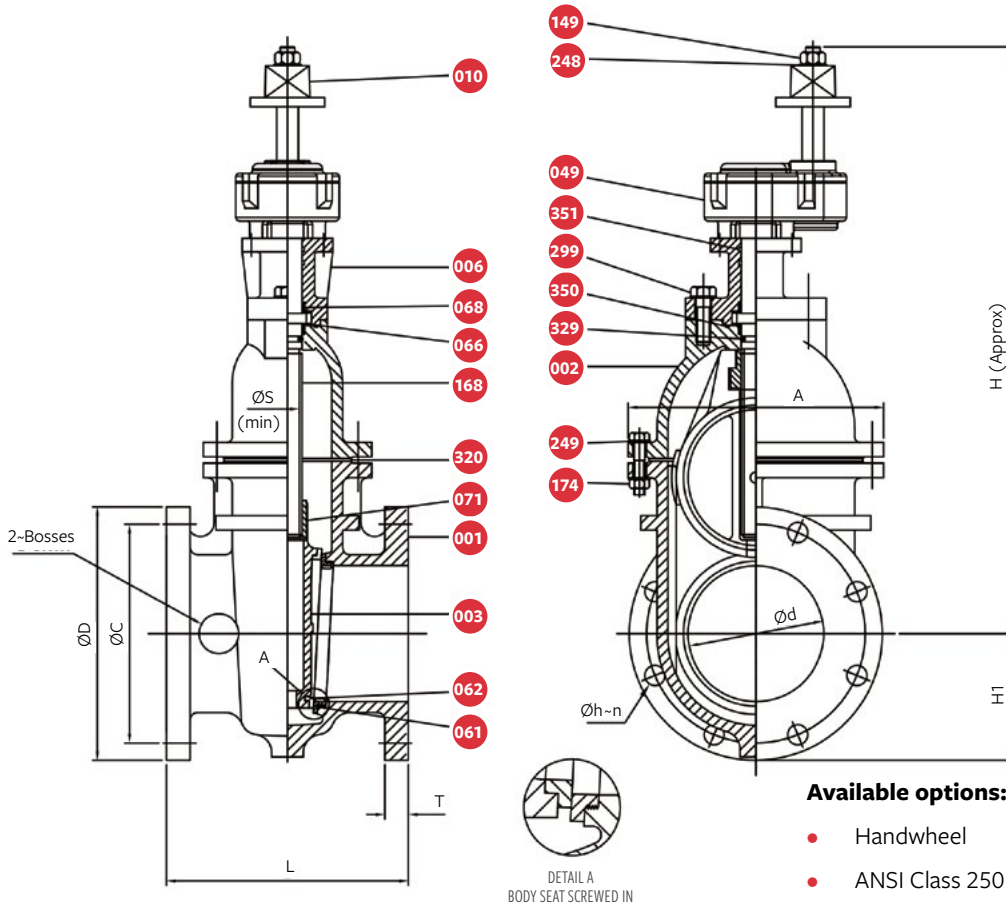
- 2" Operating NUT
- ANSI Class 250 Flanges
- Mechanical Joint Ends
- 300 psi rated valve

SIZE ØD		ANSI B 16.1 CLASS 125						ØS AT BASE OF THREAD		H	H1	ØW
IN.	MM.	L	ØD	ØC	ØH	N	T	A				
2	50	7 ± 1/16	6	4 3/4	3/4	4	5/8	5.71	0.86	11.02	3	7.09
2 1/2	65	7 1/2 ± 1/16	7	5 1/2	3/4	4	1 1/16	6.34	0.86	12.48	3 1/2	7.09
3	80	8 ± 1/16	7 1/2	6	3/4	4	3/4	7.72	0.86	13.51	3 3/4	7.09
4	100	9 ± 1/16	9	7 1/2	3/4	8	15/16	8.78	0.86	14.77	4 1/2	9.84
6	150	10 1/2 ± 1/16	11	9 1/2	7/8	8	1	11.11	1.00	18.58	5 1/2	12.40
8	200	11 1/2 ± 1/16	13 1/2	11 3/4	7/8	8	1 1/8	14.02	1.00	21.69	6 3/4	13.98
10	250	13 ± 1/16	16	14 1/4	1	12	1 3/16	16.46	1.12	25.35	8	15.75
12	300	14 ± 1/8	19	17	1	12	1 1/4	18.82	1.19	28.94	9 1/2	15.75

- Dimensions in Inches

NO.	PARTS	MATERIAL	ASTM.DESIGN.	QTY
351	O-Ring B	Rubber (Buna N)	D 2000 BK 707	2
350	O-Ring A	Rubber (Buna N)	D 2000 BK 807	1
330	Wiper Ring	Rubber (Buna N)	D 2000 BK 707	1
329	O-Ring	Rubber (Buna N)	D 2000 BK 707	1
320	Bonnet Gasket	Rubber (Buna N)	D 2000 BK 807	1
299	Stuffing Box Bolt	Stainless Steel	A 276 Type 316	2
249	Washer	Stainless Steel	A 276 Type 316	1 set
181	Hand Wheel Nut	Stainless Steel	A 276 Type 316	1
174	Bonnet Bolt & Nut	Stainless Steel	A 276 Type 316	1 set
168	Stem	Stainless Steel	A 276 Type 316	1
158	Hand Wheel Washer	Stainless Steel	A 276 Type 316	1
071	Stem Nut	Nickel Aluminum Bronze	B 148 C95800	1
068	Stuffing Box Bushing	Nickel Aluminum Bronze	B 148 C95800	1
066	Bonnet Bushing	Nickel Aluminum Bronze	B 148 C95800	1
062	Disc Seat Ring	Nickel Aluminum Bronze	B 148 C95800	2
061	Body Seat Ring	Nickel Aluminum Bronze	B 148 C95800	2
008	Hand Wheel	Cast Iron	A 126 Class B	1
006	Stuffing Box	Ductile Iron	A 536 Gr.65-45-12	1
003	Disc	Ductile Iron	A 536 Gr.65-45-12	1
002	Bonnet	Ductile Iron	A 536 Gr.65-45-12	1
001	Body	Ductile Iron	A 536 Gr.65-45-12	1

NON-RISING STEM (NRS) GATE VALVE 250 PSI SPUR GEAR WITH 2" NUT, 125# FLANGES (SIZE 2" - 12")



Available options:

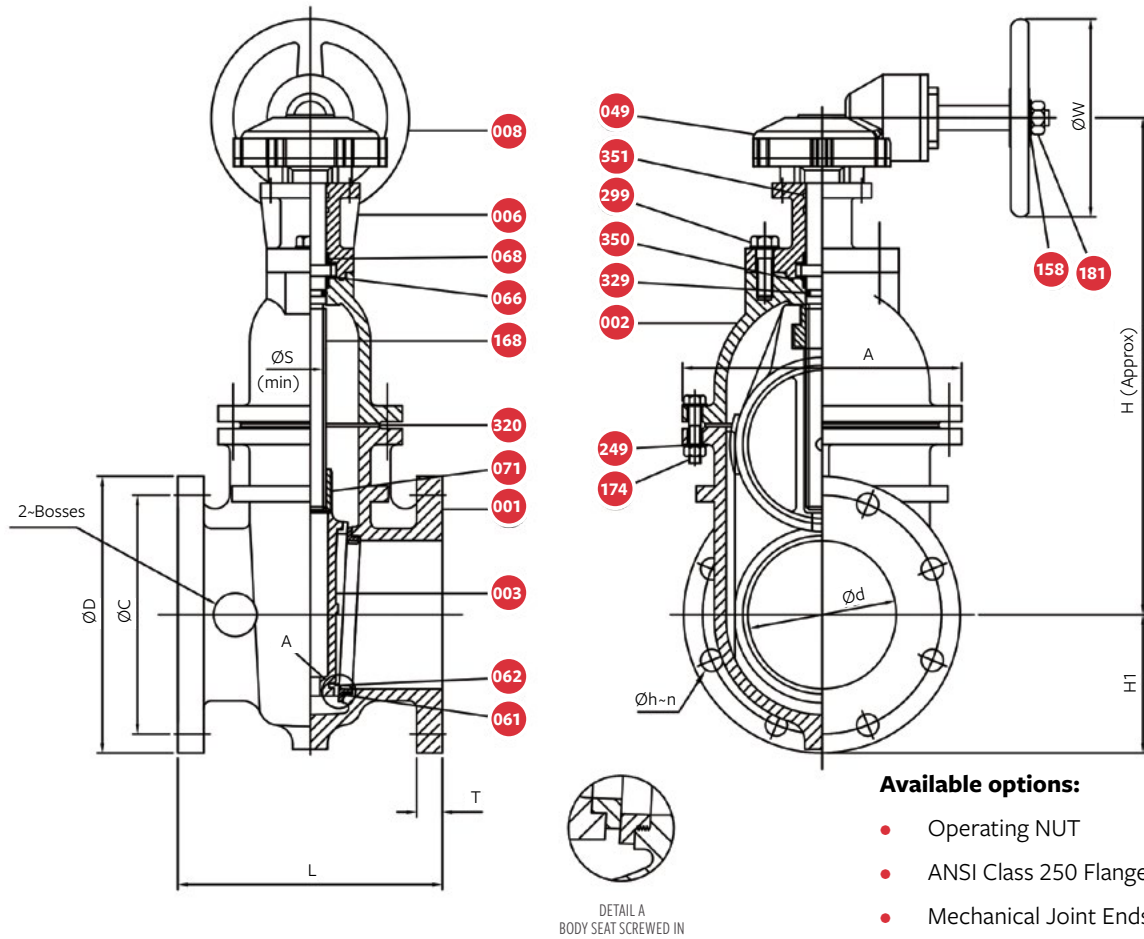
- Handwheel
- ANSI Class 250 Flanges
- Mechanical Joint Ends
- 300 psi rated valve

SIZE ØD		L	ANSI B 16.1 CLASS 125					A	ØS AT BASE OF THREAD	H	H1	GEAR OPERATOR
IN.	MM.		ØD	ØC	ØH	N	T					
2	50	7±1/16	6	4 3/4	3/4	4	5/8	5.71	0.86	17.76	3	CS2 (2:1)
2 1/2	65	7 1/2±1/16	7	5 1/2	3/4	4	1 1/16	6.34	0.86	18.58	3 1/2	CS2 (2:1)
3	80	8±1/16	7 1/2	6	3/4	4	3/4	7.72	0.86	20.51	3 3/4	CS2 (2:1)
4	100	9±1/16	9	7 1/2	3/4	8	1 1/16	8.78	0.86	21.42	4 1/2	CS2 (2:1)
6	150	10 1/2±1/16	11	9 1/2	7/8	8	1	11.11	1.00	25.47	5 1/2	CS2 (2:1)
8	200	11 1/2±1/16	13 1/2	11 3/4	7/8	8	1 1/8	14.02	1.00	28.35	6 3/4	CS2 (2:1)
10	250	13±1/16	16	14 1/4	1	12	1 3/16	16.46	1.12	34.06	8	CPS2.5 (2.5:1)
12	300	14±1/8	19	17	1	12	1 1/4	18.82	1.19	37.68	9 1/2	CPS2.5 (2.5:1)

- Dimensions in Inches

NO.	PARTS	MATERIAL	ASTM.DESIGN.	QTY
351	O-Ring B	Rubber (Buna N)	D 2000 BK 707	2
350	O-Ring A	Rubber (Buna N)	D 2000 BK 807	1
329	O-Ring	Rubber (Buna N)	D 2000 BK 707	1
320	Bonnet Gasket	Rubber (Buna N)	D 2000 BK 807	1
299	Stuffing Box Bolt	Stainless Steel	A 276 Type 316	2
249	Washer	Stainless Steel	A 276 Type 316	1 set
248	Top Washer	Stainless Steel	A 276 Type 316	1
174	Bonnet Bolt & Nut	Stainless Steel	A 276 Type 316	1 set
168	Stem	Stainless Steel	A 276 Type 316	1
149	Top Nut	Stainless Steel	A 276 Type 316	1
071	Stem Nut	Nickel Aluminum Bronze	B 148 C95800	1
068	Stuffing Box Bushing	Nickel Aluminum Bronze	B 148 C95800	1
066	Bonnet Bushing	Nickel Aluminum Bronze	B 148 C95800	1
062	Disc Seat Ring	Nickel Aluminum Bronze	B 148 C95800	2
061	Body Seat Ring	Nickel Aluminum Bronze	B 148 C95800	2
049	Gear Operator	See Table	—	1 set
010	Operating Nut	Cast Iron	A 126 Class B	1
006	Stuffing Box	Ductile Iron	A 536 Gr.65-45-12	1
003	Disc	Ductile Iron	A 536 Gr.65-45-12	1
002	Bonnet	Ductile Iron	A 536 Gr.65-45-12	1
001	Body	Ductile Iron	A 536 Gr.65-45-12	1

NON-RISING STEM (NRS) GATE VALVE 250 PSI BEVEL GEAR WITH HANDWHEEL, 125# FLANGES (SIZE 2" - 12")



Available options:

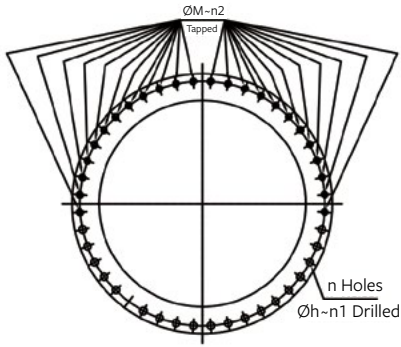
- Operating NUT
- ANSI Class 250 Flanges
- Mechanical Joint Ends
- 300 psi rated valve

SIZE ØD		ANSI B 16.1 CLASS 125							ØS AT BASE OF THREAD		H		H1		GEAR OPERATOR		NO.	PARTS	MATERIAL	ASTM.DESIGN.	QTY
IN.	MM.	L	ØD	ØC	ØH	N	T	A	H	H1	GEAR OPERATOR										
2	50	7±1/16	6	4 3/4	3/4	4	5/8	5.71	0.86	17.76	3	CB2 (2:1)		351	O-Ring B	Rubber (Buna N)	D 2000 BK 707	2			
2 1/2	65	7 1/2±1/16	7	5 1/2	3/4	4	1 1/16	6.34	0.86	18.58	3 1/2	CB2 (2:1)		350	O-Ring A	Rubber (Buna N)	D 2000 BK 707	1			
3	80	8±1/16	7 1/2	6	3/4	4	3/4	7.72	0.86	20.51	3 3/4	CB2 (2:1)		329	O-Ring	Rubber (Buna N)	D 2000 BK 707	1			
4	100	9±1/16	9	7 1/2	3/4	8	1 1/16	8.78	0.86	21.42	4 1/2	CB2 (2:1)		320	Bonnet Gasket	Rubber (Buna N)	D 2000 BK 807	1			
6	150	10 1/2±1/16	11	9 1/2	7/8	8	1	11.11	1.00	25.47	5 1/2	CB2 (2:1)		299	Stuffing Box Bolt	Stainless Steel	A 276 Type 316	2			
8	200	11 1/2±1/16	13 1/2	11 3/4	7/8	8	1 1/8	14.02	1.00	28.35	6 3/4	CB2 (2:1)		249	Washer	Stainless Steel	A 276 Type 316	1 set			
10	250	13±1/16	16	14 1/4	1	12	1 3/16	16.46	1.12	34.06	8	CB2.5 (2.5:1)		181	Hand Wheel Nut	Stainless Steel	A 276 Type 316	1			
12	300	14±1/8	19	17	1	12	1 1/4	18.82	1.19	37.68	9 1/2	CB2.5 (2.5:1)		174	Bonnet Bolt & Nut	Stainless Steel	A 276 Type 316	1 set			
														168	Stem	Stainless Steel	A 276 Type 316	1			
														158	Hand Wheel Washer	Stainless Steel	A 276 Type 316	1			
														071	Stem Nut	Nickel Aluminum Bronze	B 148 C95800	1			
														068	Stuffing Box Bushing	Nickel Aluminum Bronze	B 148 C95800	1			
														066	Bonnet Bushing	Nickel Aluminum Bronze	B 148 C95800	1			
														062	Disc Seat Ring	Nickel Aluminum Bronze	B 148 C95800	2			
														061	Body Seat Ring	Nickel Aluminum Bronze	B 148 C95800	2			
														049	Gear Operator	See Table	—	1 set			
														008	Hand Wheel	Cast Iron	A 126 Class B	1			
														006	Stuffing Box	Ductile Iron	A 536 Gr.65-45-12	1			
														003	Disc	Ductile Iron	A 536 Gr.65-45-12	1			
														002	Bonnet	Ductile Iron	A 536 Gr.65-45-12	1			
														001	Body	Ductile Iron	A 536 Gr.65-45-12	1			

- Dimensions in Inches

NON-RISING STEM (NRS) GATE VALVE 250 PSI

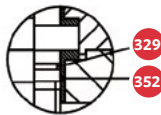
BEVEL GEAR WITH 2" NUT, 125# FLANGES (SIZE 14" - 48") VERTICAL INSTALLATION



DETAIL OF FLANGE FOR SIZE 48" (1200) ONLY



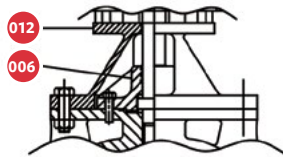
DETAILS FOR GUIDES SECTION A' - A'



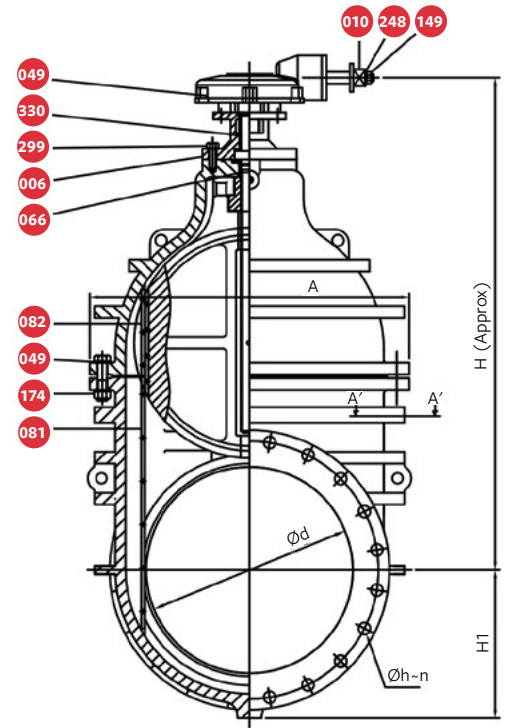
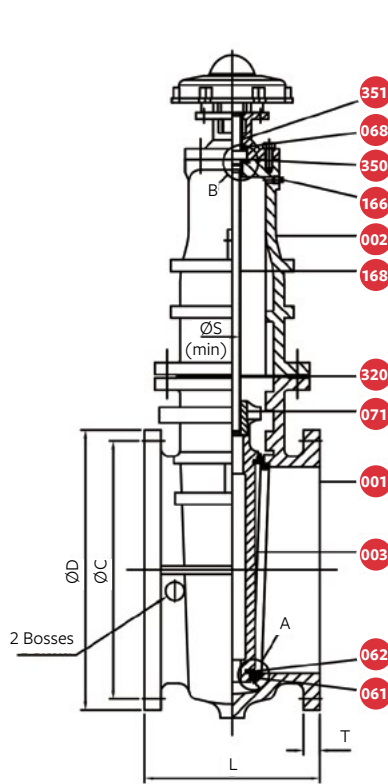
DETAIL B



DETAIL A
SCREWED IN BODY SEAT



STAND FOR SIZE 30" (750) - 48" (1200)



Available options:

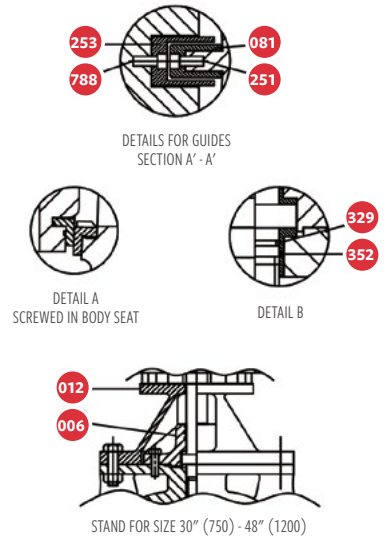
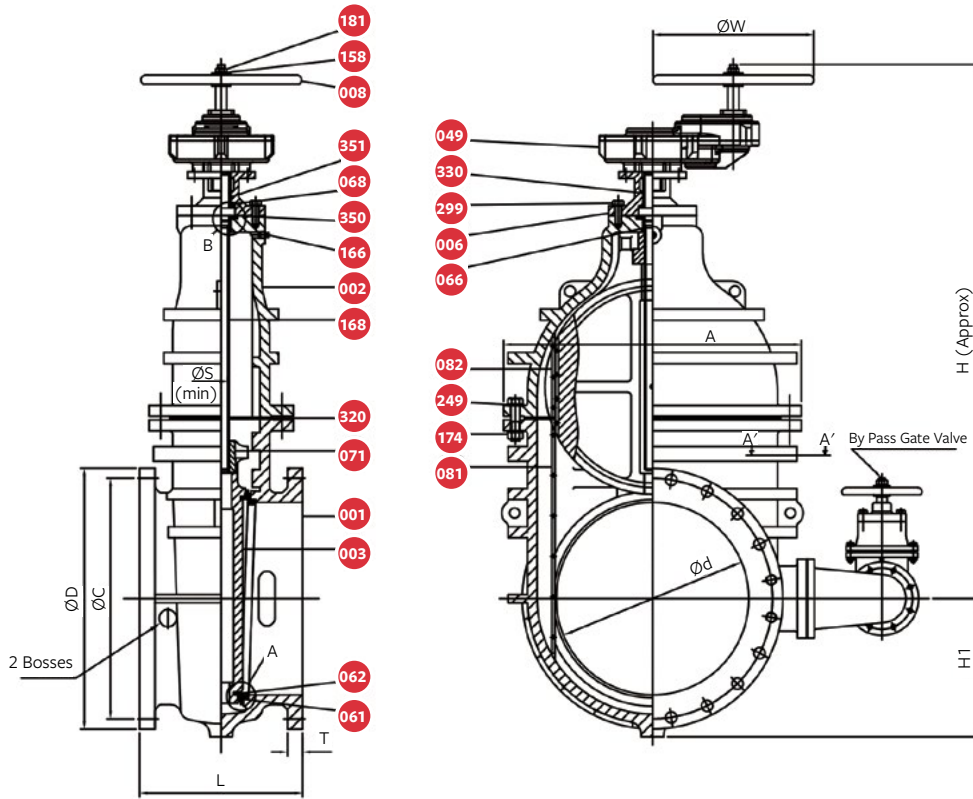
- Handwheel
- ANSI Class 250 Flanges
- Mechanical Joint Ends
- 300 psi rated valve

NO.	PARTS	MATERIAL	ASTM.DESIGN.	QTY
788	Disc Guide Bolt	Stainless Steel	A 276 Type 316	2 set
352	O-Ring C	Rubber (Buna N)	D 2000 BK 707	1
351	O-Ring B	Rubber (Buna N)	D 2000 BK 707	2
350	O-Ring A	Rubber (Buna N)	D 2000 BK 707	1
330	Wiper Ring	Rubber (Buna N)	D 2000 BK 707	1
329	O-Ring	Rubber (Buna N)	D 2000 BK 707	1
320	Bonnet Gasket	Rubber (Buna N)	D 2000 BK 807	1
299	Stuffing Box Bolt	Stainless Steel	A 276 Type 316	1 set
253	Disc Guide	Nickel Aluminum Bronze	B 148 C95800	2
251	Body Guide Bolt	Stainless Steel	A 276 Type 316	2 set
249	Washer	Stainless Steel	A 276 Type 316	1 set
248	Top Washer	Stainless Steel	A 276 Type 316	1
174	Bonnet Bolt & Nut	Stainless Steel	A 276 Type 316	1 set
168	Stem	Stainless Steel	A 276 Type 316	1
166	Plug	Stainless Steel	A 276 Type 316	1
149	Top Nut	Stainless Steel	A 276 Type 316	1
082	Bonnet Guide	Nickel Aluminum Bronze	B 148 C95800	2
081	Body Guide	Nickel Aluminum Bronze	B 148 C95800	2
071	Stem Nut	Nickel Aluminum Bronze	B 148 C95800	1
068	Stuffing Box Bushing	Nickel Aluminum Bronze	B 148 C95800	1
066	Bonnet Bushing	Nickel Aluminum Bronze	B 148 C95800	1
062	Disc Seat Ring	Nickel Aluminum Bronze	B 148 C95800	2
061	Body Seat Ring	Nickel Aluminum Bronze	B 148 C95800	2
049	Gear Operator	See Table	—	1 set
012	Stand	Ductile Iron	A 536 Gr.65-45-12	1
010	Operating Nut	Cast Iron	A 126 Class B	1
006	Stuffing Box	Ductile Iron	A 536 Gr.65-45-12	1
003	Disc	Ductile Iron	A 536 Gr.65-45-12	1
002	Bonnet	Ductile Iron	A 536 Gr.65-45-12	1
001	Body	Ductile Iron	A 536 Gr.65-45-12	1

SIZE ØD		ANSI B 16.1 CLASS 125						ØS AT BASE OF THREAD		H		H1		GEAR OPERATOR		ØM		N1		N2	
IN.	MM.	L	ØD	ØC	ØH	N	T	A	ØS	H	H1	GEAR OPERATOR	ØM	N1	N2	ØM	N1	N2	ØM	N1	N2
14	350	15±1/8	21	18 3/4	1 1/8	12	1 3/8	22.76	1.44	35.69	10.55	CB2.5 (2.5:1)	-	-	-	-	-	-	-	-	-
16	400	16±1/8	23 1/2	21 1/4	1 1/8	16	1 1/16	25.98	1.44	40.33	10.81	CB3 (3:1)	-	-	-	-	-	-	-	-	-
18	450	17±1/8	25	22 3/4	1 1/4	16	1 1/16	29.13	1.75	42.85	13.35	CB3 (3:1)	-	-	-	-	-	-	-	-	-
20	500	18±1/8	27 1/2	25	1 1/4	20	1 11/16	32.52	1.75	47.93	14.17	CB3 (3:1)	-	-	-	-	-	-	-	-	-
24	600	20±1/8	32	29 1/2	1 3/8	20	1 7/8	36.54	1.97	56.30	16.54	CB4 (4:1)	-	-	-	-	-	-	-	-	-
30	750	24±1/8	38 3/4	36	1 3/8	28	2 1/8	45.28	2.19	69.88	20.55	CB4 (4:1)	-	-	-	-	-	-	-	-	-
36	900	28±1/8	46	42 3/4	1 5/8	32	2 3/8	53.94	2.50	84.37	23.66	CB6 (6:1)	-	-	-	-	-	-	-	-	-
42	1050	32±1/8	53	49 1/2	1 5/8	36	2 5/8	60.39	2.75	94.69	27.36	CB6 (6:1)	-	-	-	-	-	-	-	-	-
48	1200	33±1/8	59 1/2	56	1 5/8	44	2 3/4	74.57	3.43	106.69	31.57	CB8 (8:1)	1 1/2 x 6 TPI (UNC)	-	-	-	-	-	-	-	-

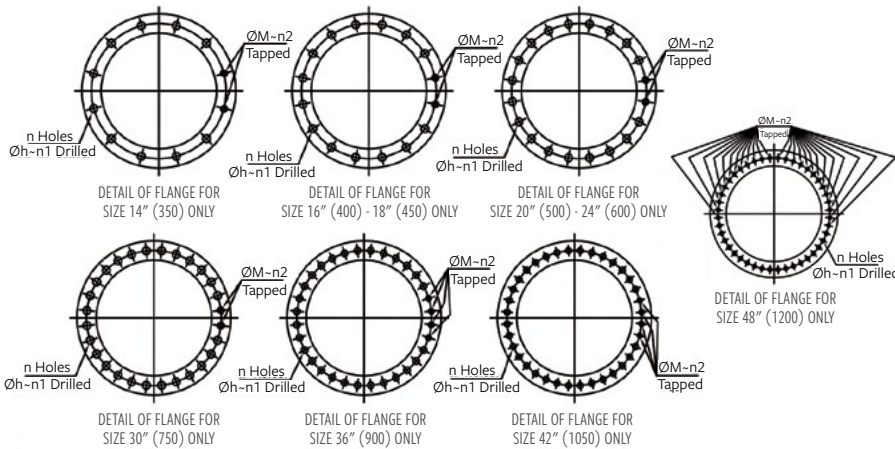
- Dimensions in Inches

NON-RISING STEM (NRS) GATE VALVE 250 PSI SPUR GEAR WITH HANDWHEEL AND BYPASS VALVE, 125# FLANGES (SIZE 14" - 48") VERTICAL INSTALLATION



Available options:

- 2" Operating NUT
- ANSI Class 250 Flanges
- Mechanical Joint Ends
- 300 psi rated valve

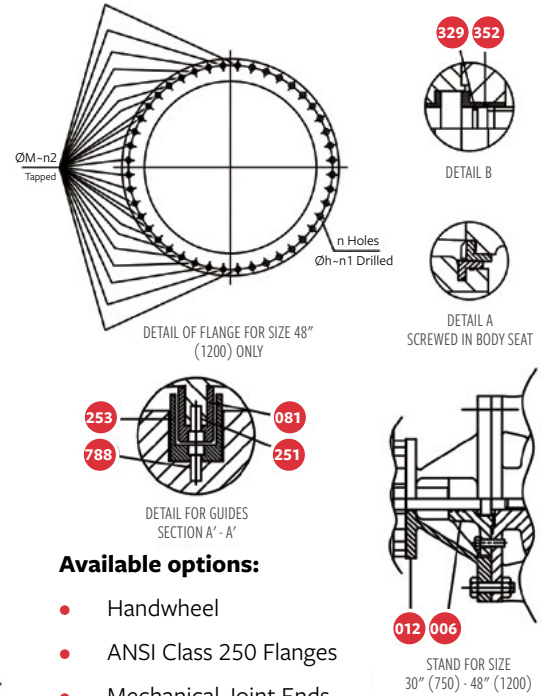
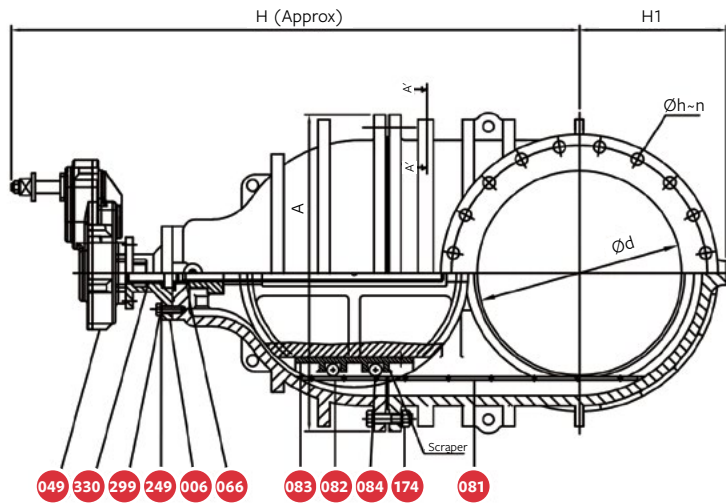


SIZE ØD		ANSI B 16.1 CLASS 125							ØS AT	H	H1	ØW	GEAR OPERATOR	BYPASS SIZE	ØM	N1	N2
IN.	MM.	L	ØD	ØC	ØH	N	T	A									
14	350	15± ¹ / ₁₆	21	18 ¾	1 ½	12	1 ¾	22.76	1.44	42.95	10.55	15.75	CB2.5 (2.5:1)	2	1 x 8 TPI (UNC)	10	2
16	400	16± ¹ / ₁₆	23 ½	21 ¼	1 ½	16	1 ¾	25.98	1.44	49.15	10.81	17.72	CB3 (3:1)	3	1 x 8 TPI (UNC)	14	2
18	450	17± ¹ / ₁₆	25	22 ¾	1 ¼	16	1 ¾	29.13	1.75	51.67	13.35	17.72	CB3 (3:1)	3	1 ½ x 7 TPI (UNC)	14	2
20	500	18± ¹ / ₁₆	27 ½	25	1 ¼	20	1 11/16	32.52	1.75	56.75	14.17	17.72	CB3 (3:1)	3	1 ½ x 7 TPI (UNC)	18	2
24	600	20± ¹ / ₁₆	32	29 ½	1 ¾	20	1 ¾	36.54	1.97	65.51	16.54	19.69	CB4 (4:1)	4	1 ¼ x 7 TPI (UNC)	18	2
30	750	24± ¹ / ₁₆	38 ¾	36	1 ¾	28	2 ½	45.28	2.19	70.09	20.55	19.69	CB4 (4:1)	4	1 ¼ x 7 TPI (UNC)	26	2
36	900	28± ¹ / ₁₆	46	42 ¾	1 ¾	32	2 ¾	53.94	2.50	94.53	23.66	24.53	CB6 (6:1)	6	1 ½ x 6 TPI (UNC)	28	4
42	1050	32± ¹ / ₁₆	53	49 ½	1 ¾	36	2 ¾	60.39	2.75	104.84	27.36	24.53	CB6 (6:1)	6	1 ½ x 6 TPI (UNC)	32	4
48	1200	33± ¹ / ₁₆	59 ½	56	1 ¾	44	2 ¾	74.57	3.43	116.30	31.57	24.53	CB8 (8:1)	8	1 ½ x 6 TPI (UNC)	19	25

NO.	PARTS	MATERIAL	ASTM.DESIGN.	QTY
788	Disc Guide Bolt	Stainless Steel	A 276 Type 316	2 set
352	O-Ring C	Rubber (Buna N)	D 2000 BK 707	1
351	O-Ring B	Rubber (Buna N)	D 2000 BK 707	2
350	O-Ring A	Rubber (Buna N)	D 2000 BK 707	1
330	Wiper Ring	Rubber (Buna N)	D 2000 BK 707	1
329	O-Ring	Rubber (Buna N)	D 2000 BK 707	1
320	Bonnet Gasket	Rubber (Buna N)	D 2000 BK 807	1
299	Stuffing Box Bolt	Stainless Steel	A 276 Type 316	1 set
253	Disc Guide	Nickel Aluminum Bronze	B 148 C95800	2
251	Body Guide Bolt	Stainless Steel	A 276 Type 316	2 set
249	Washer	Stainless Steel	A 276 Type 316	1 set
181	Hand Wheel Nut	Stainless Steel	A 276 Type 316	1
174	Bonnet Bolt & Nut	Stainless Steel	A 276 Type 316	1 set
168	Stem	Stainless Steel	A 276 Type 316	1
166	Plug	Stainless Steel	A 276 Type 316	1
158	Hand Wheel Washer	Stainless Steel	A 276 Type 316	1
082	Bonnet Guide	Nickel Aluminum Bronze	B 148 C95800	2
081	Body Guide	Nickel Aluminum Bronze	B 148 C95800	2
071	Stem Nut	Nickel Aluminum Bronze	B 148 C95800	1
068	Stuffing Box Bushing	Nickel Aluminum Bronze	B 148 C95800	1
066	Bonnet Bushing	Nickel Aluminum Bronze	B 148 C95800	1
062	Disc Seat Ring	Nickel Aluminum Bronze	B 148 C95800	2
061	Body Seat Ring	Nickel Aluminum Bronze	B 148 C95800	2
049	Gear Operator	See Table	—	1 set
012	Stand	Ductile Iron	A 536 Gr.65-45-12	1
008	Hand Wheel	Cast Iron	A 126 Class B	1
006	Stuffing Box	Ductile Iron	A 536 Gr.65-45-12	1
003	Disc	Ductile Iron	A 536 Gr.65-45-12	1
002	Bonnet	Ductile Iron	A 536 Gr.65-45-12	1
001	Body	Ductile Iron	A 536 Gr.65-45-12	1

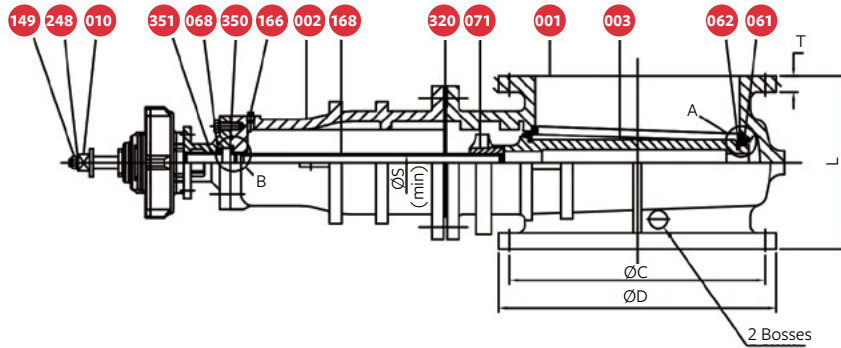
- Dimensions in Inches

NON-RISING STEM (NRS) GATE VALVE 250 PSI SPUR GEAR WITH NUT, 125# FLANGES (SIZE 14" - 48") HORIZONTAL INSTALLATION



Available options:

- Handwheel
- ANSI Class 250 Flanges
- Mechanical Joint Ends
- 300 psi rated valve

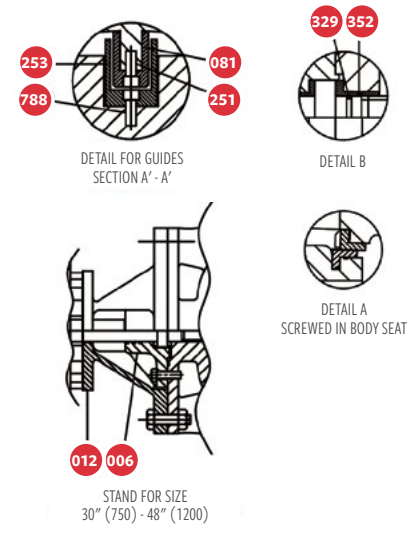
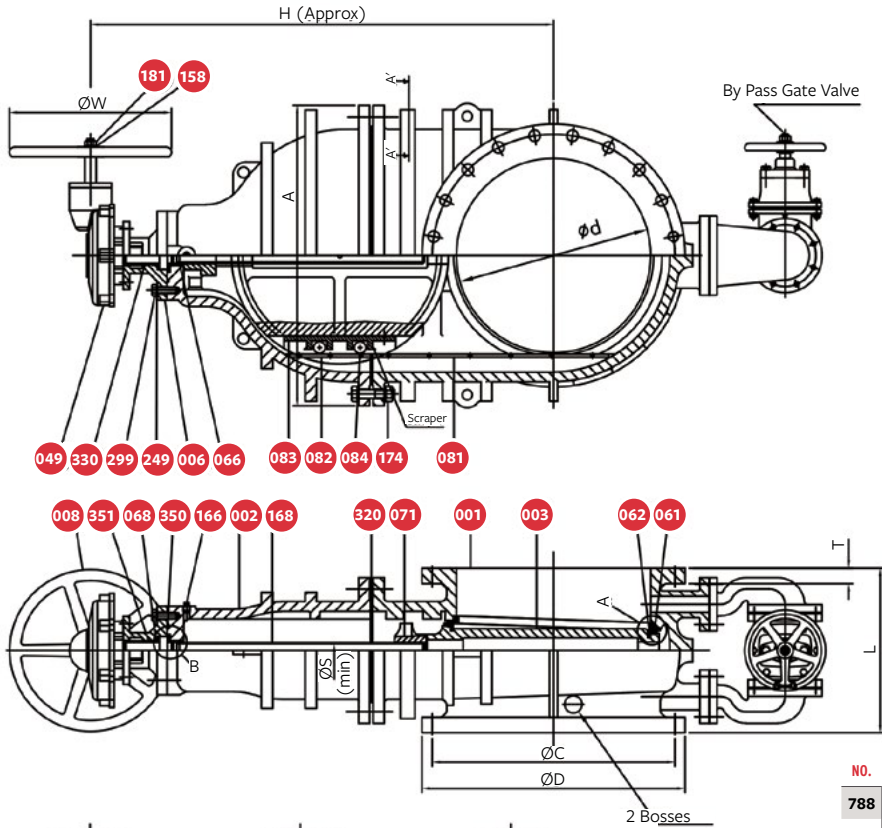


SIZE ØD		ANSI B 16.1 CLASS 125						ØS AT BASE OF THREAD		GEAR OPERATOR		ØM N1 N2			
IN.	MM.	L	ØD	ØC	ØH	N	T	A	H	H1					
14	350	15±1/8	21	18 3/4	1 1/8	12	1 3/8	22.76	1.44	42.95	10.55	CB2.5 (2.5:1)	-	-	-
16	400	16±1/8	23 1/2	21 1/4	1 1/8	16	1 1/16	25.98	1.44	49.15	10.81	CB3 (3:1)	-	-	-
18	450	17±1/8	25	22 3/4	1 1/4	16	1 1/16	29.13	1.75	51.67	13.35	CB3 (3:1)	-	-	-
20	500	18±1/8	27 1/2	25	1 1/4	20	1 11/16	32.52	1.75	56.75	14.17	CB3 (3:1)	-	-	-
24	600	20±1/8	32	29 1/2	1 3/8	20	1 7/8	36.54	1.97	65.51	16.54	CB4 (4:1)	-	-	-
30	750	24±1/8	38 3/4	36	1 3/8	28	2 1/8	45.28	2.19	70.09	20.55	CB4 (4:1)	-	-	-
36	900	28±1/8	46	42 3/4	1 3/8	32	2 3/8	53.94	2.50	94.53	23.66	CB6 (6:1)	-	-	-
42	1050	32±1/8	53	49 1/2	1 3/8	36	2 5/8	60.39	2.75	104.84	27.36	CB6 (6:1)	-	-	-
48	1200	33±1/8	59 1/2	56	1 3/8	44	2 3/4	74.57	3.43	116.30	31.57	CB8 (8:1)	1 1/2 x 6 TPI (UNC)	20	24

- Dimensions in Inches

NO.	PARTS	MATERIAL	ASTM.DESIGN.	QTY
788	Disc Guide Bolt	Stainless Steel	A 276 Type 316	2 set
352	O-Ring C	Rubber (Buna N)	D 2000 BK 707	1
351	O-Ring B	Rubber (Buna N)	D 2000 BK 707	2
350	O-Ring A	Rubber (Buna N)	D 2000 BK 707	1
330	Wiper Ring	Rubber (Buna N)	D 2000 BK 707	1
329	O-Ring	Rubber (Buna N)	D 2000 BK 707	1
320	Bonnet Gasket	Rubber (Buna N)	D 2000 BK 807	1
299	Stuffing Box Bolt	Stainless Steel	A 276 Type 316	1 set
253	Disc Guide	Nickel Aluminum Bronze	B 148 C95800	2
251	Body Guide Bolt	Stainless Steel	A 276 Type 316	2 set
249	Washer	Stainless Steel	A 276 Type 316	1 set
248	Top Washer	Stainless Steel	A 276 Type 316	1
174	Bonnet Bolt & Nut	Stainless Steel	A 276 Type 316	1 set
168	Stem	Stainless Steel	A 276 Type 316	1
166	Plug	Stainless Steel	A 276 Type 316	1
149	Top Nut	Stainless Steel	A 276 Type 316	1
084	Roller	Nickel Aluminum Bronze	B 148 C95800	2
083	Roller Box	Nickel Aluminum Bronze	B 148 C95800	1
082	Bonnet Guide	Nickel Aluminum Bronze	B 148 C95800	2
081	Body Guide	Nickel Aluminum Bronze	B 148 C95800	2
071	Stem Nut	Nickel Aluminum Bronze	B 148 C95800	1
068	Stuffing Box Bushing	Nickel Aluminum Bronze	B 148 C95800	1
066	Bonnet Bushing	Nickel Aluminum Bronze	B 148 C95800	1
062	Disc Seat Ring	Nickel Aluminum Bronze	B 148 C95800	2
061	Body Seat Ring	Nickel Aluminum Bronze	B 148 C95800	2
049	Gear Operator	See Table	—	1 set
012	Stand	Ductile Iron	A 536 Gr.65-45-12	1
010	Operating Nut	Cast Iron	A 126 Class B	1
006	Stuffing Box	Ductile Iron	A 536 Gr.65-45-12	1
003	Disc	Ductile Iron	A 536 Gr.65-45-12	1
002	Bonnet	Ductile Iron	A 536 Gr.65-45-12	1
001	Body	Ductile Iron	A 536 Gr.65-45-12	1

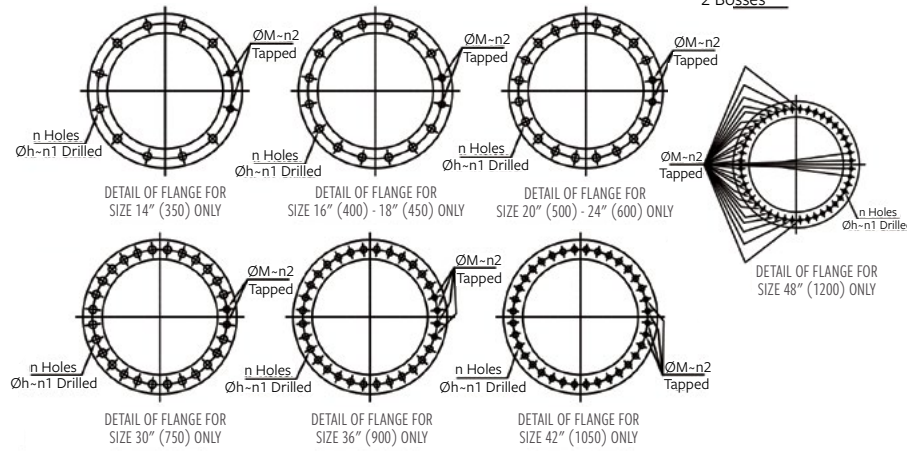
NON-RISING STEM (NRS) GATE VALVE 250 PSI BEVEL GEAR WITH HANDWHEEL AND BYPASS VALVE, 125# FLANGES (SIZE 14" - 48") HORIZONTAL INSTALLATION



STAND FOR SIZE
30" (750) - 48" (1200)

Available options:

- 2" Operating NUT
- ANSI Class 250 Flanges
- Mechanical Joint Ends
- 300 psi rated valve



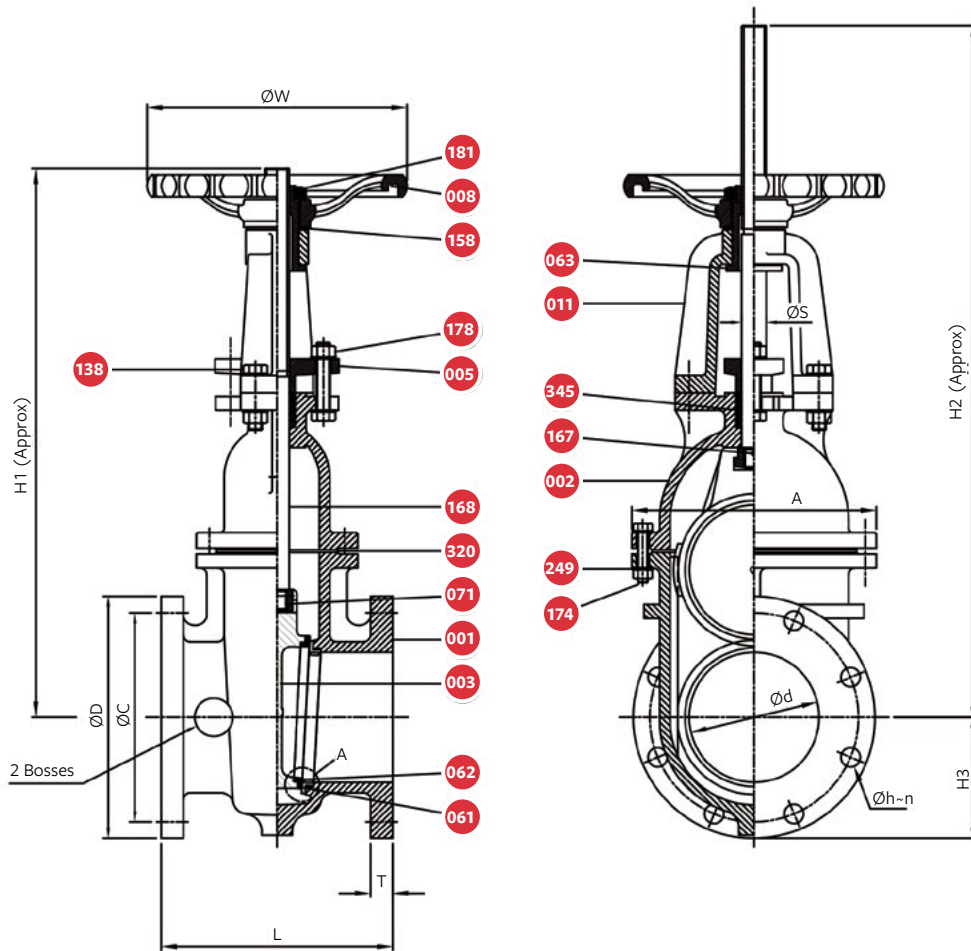
SIZE ØD		ANSI B 16.1 CLASS 125						ØS AT BASE OF THREAD		H		ØW		GEAR OPERATOR		BYPASS SIZE		ØM		N1		N2	
IN.	MM.	L	ØD	ØC	ØH	N	T	A	H	ØW	GEAR OPERATOR	BYPASS SIZE	ØM	N1	N2								
14	350	15±½	21	18 ¾	1 ½	12	1 ¾	22.76	1.44	35.69	15.75	CB2.5 (2.5:1)	2	1 x 8 TPI (UNC)	10	2							
16	400	16±½	23 ½	21 ¼	1 ½	16	1 ¾	25.98	1.44	40.33	17.72	CB3 (3:1)	3	1 x 8 TPI (UNC)	14	2							
18	450	17±½	25	22 ¾	1 ½	16	1 ¾	29.13	1.75	42.85	17.72	CB3 (3:1)	3	1 ½ x 7 TPI (UNC)	14	2							
20	500	18±½	27 ½	25	1 ½	20	1 ¾	32.52	1.75	47.93	17.72	CB3 (3:1)	3	1 ½ x 7 TPI (UNC)	18	2							
24	600	20±½	32	29 ½	1 ¾	20	1 ¾	36.54	1.97	56.30	19.69	CB4 (4:1)	4	1 ¼ x 7 TPI (UNC)	18	2							
30	750	24±½	38 ¾	36	1 ¾	28	2 ½	45.28	2.19	69.88	19.69	CB4 (4:1)	4	1 ¼ x 7 TPI (UNC)	26	2							
36	900	28±½	46	42 ¾	1 ¾	32	2 ¾	53.94	2.50	84.37	24.53	CB6 (6:1)	6	1 ½ x 6 TPI (UNC)	28	4							
42	1050	32±½	53	49 ½	1 ¾	36	2 ¾	60.39	2.75	94.69	24.53	CB6 (6:1)	6	1 ½ x 6 TPI (UNC)	32	4							
48	1200	33±½	59 ½	56	1 ¾	44	2 ¾	74.57	3.43	106.69	24.53	CB8 (8:1)	8	1 ½ x 6 TPI (UNC)	16	28							

NO.	PARTS	MATERIAL	ASTM.DESIGN.	QTY
788	Disc Guide Bolt	Stainless Steel	A 276 Type 316	1 set
352	O-Ring C	Rubber (Buna N)	D 2000 BK 707	1
351	O-Ring B	Rubber (Buna N)	D 2000 BK 707	2
350	O-Ring A	Rubber (Buna N)	D 2000 BK 707	1
330	Wiper Ring	Rubber (Buna N)	D 2000 BK 707	1
329	O-Ring	Rubber (Buna N)	D 2000 BK 707	1
320	Bonnet Gasket	Rubber (Buna N)	D 2000 BK 807	1
299	Stuffing Box Bolt	Stainless Steel	A 276 Type 316	1 set
253	Disc Guide	Nickel Aluminum Bronze	B 148 C95800	1
251	Body Guide Bolt	Stainless Steel	A 276 Type 316	2 set
249	Washer	Stainless Steel	A 276 Type 316	1 set
181	Hand Wheel Nut	Stainless Steel	A 276 Type 316	1
174	Bonnet Bolt & Nut	Stainless Steel	A 276 Type 316	1 set
168	Stem	Stainless Steel	A 276 Type 316	1
166	Plug	Stainless Steel	A 276 Type 316	1
158	Hand Wheel Washer	Stainless Steel	A 276 Type 316	1
084	Roller	Nickel Aluminum Bronze	B 148 C95800	2
083	Roller Box	Nickel Aluminum Bronze	B 148 C95800	1
082	Bonnet Guide	Nickel Aluminum Bronze	B 148 C95800	2
081	Body Guide	Nickel Aluminum Bronze	B 148 C95800	2
071	Stem Nut	Nickel Aluminum Bronze	B 148 C95800	1
068	Stuffing Box Bushing	Nickel Aluminum Bronze	B 148 C95800	1
066	Bonnet Bushing	Nickel Aluminum Bronze	B 148 C95800	1
062	Disc Seat Ring	Nickel Aluminum Bronze	B 148 C95800	2
061	Body Seat Ring	Nickel Aluminum Bronze	B 148 C95800	2
049	Gear Operator	See Table	—	1 set
012	Stand	Ductile Iron	A 536 Gr.65-45-12	1
008	Hand Wheel	Cast Iron	A 126 Class B	1
006	Stuffing Box	Ductile Iron	A 536 Gr.65-45-12	1
003	Disc	Ductile Iron	A 536 Gr.65-45-12	1
002	Bonnet	Ductile Iron	A 536 Gr.65-45-12	1
001	Body	Ductile Iron	A 536 Gr.65-45-12	1

- Dimensions in Inches

RISING STEM (OS&Y) GATE VALVE 250 PSI

DIRECT MOUNT HANDWHEEL, 125# FLANGES (SIZE 2" - 12")

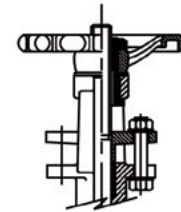


Available options:

- ANSI Class 250 Flanges
- Mechanical Joint Ends
- 300 psi rated valve



DETAIL A
BODY SEAT SCREWED IN



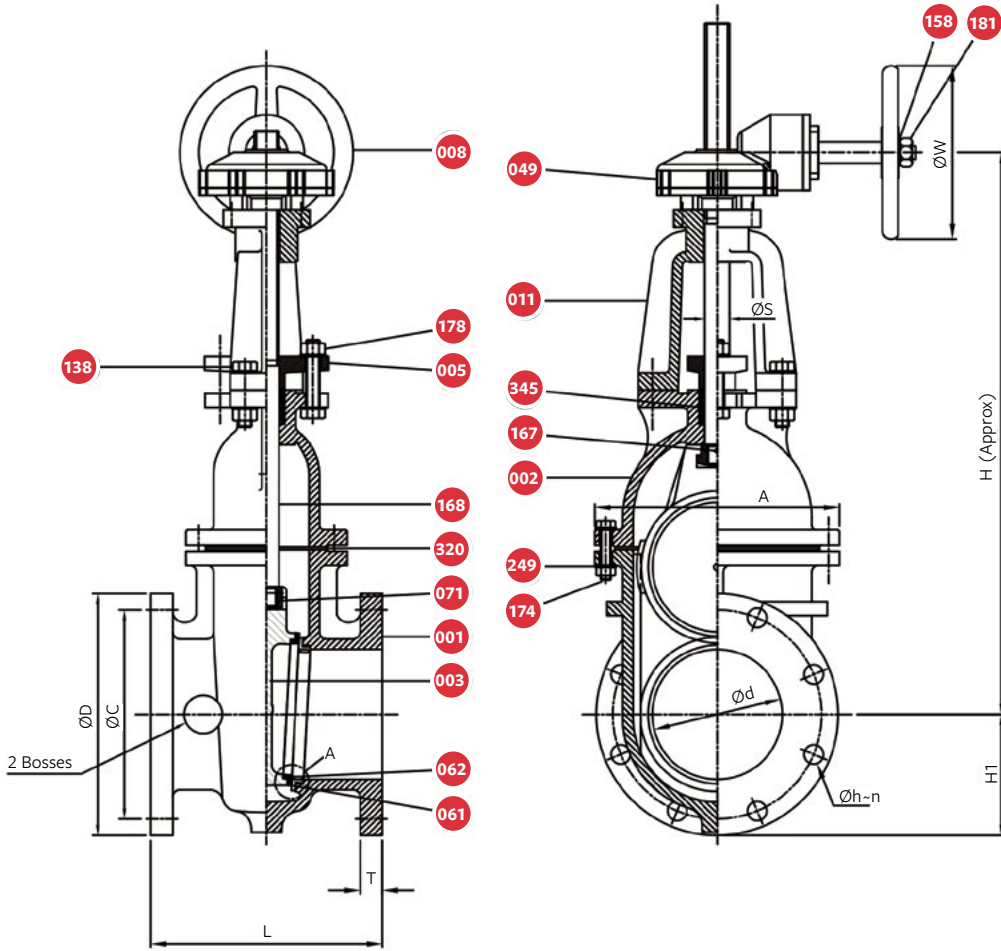
YOKE CONSTRUCTION
FOR SIZE 2" (50) - 3" (80)

SIZE	ØD	L	ANSI B 16.1 CLASS 125					A	ØS	H1	H2	H3	ØW
			ØD	ØC	ØH	N	T						
2	50	7±1/16	6	4 3/4	3/4	4	5/8	5.71	0.75	11.65	13.81	3	6.30
2 1/2	65	7 1/2±1/16	7	5 1/2	3/4	4	1 1/16	6.34	0.75	12.63	15.39	3 1/2	7.08
3	80	8±1/16	7 1/2	6	3/4	4	3/4	7.72	0.75	15.19	18.54	3 3/4	7.80
4	100	9±1/16	9	7 1/2	3/4	8	15/16	8.78	1.00	18.38	22.55	4 1/2	9.85
6	150	10 1/2±1/16	11	9 1/2	7/8	8	1	11.11	1.12	24.84	31.06	5 1/2	11.82
8	200	11 1/2±1/16	13 1/2	11 3/4	7/8	8	1 1/8	14.02	1.25	30.31	38.54	6 3/4	13.98
10	250	13±1/16	16	14 1/4	1	12	1 3/16	16.46	1.38	37.16	47.40	8	15.56
12	300	14±1/8	19	17	1	12	1 1/4	18.82	1.38	41.92	54.21	9 1/2	17.72

- Dimensions in Inches

NO.	PARTS	MATERIAL	ASTM.DESIGN.	QTY
345	Packing	Braided Packing Synthetic Yarn with PTFE		1
320	Bonnet Gasket	Rubber (Buna N)	D 2000 BK 807	1
249	Washer	Stainless Steel	A 276 Type 316	1 set
181	Hand Wheel Nut	Stainless Steel	A 276 Type 316	1
178	Gland Bolt & Nut	Stainless Steel	A 276 Type 316	2
174	Bonnet Bolt & Nut	Stainless Steel	A 276 Type 316	1 set
168	Stem	Stainless Steel	A 276 Type 316	1
158	Hand Wheel Washer	Brass	B 21	1
138	Yoke Bolt & Nut	Stainless Steel	A 276 Type 316	4
071	Stem Nut	Nickel Aluminum Bronze	B 148 C95800	1
063	Yoke Sleeve	Bronze	B 62	1
062	Disc Seat Ring	Nickel Aluminum Bronze	B 148 C95800	2
061	Body Seat Ring	Nickel Aluminum Bronze	B 148 C95800	2
011	Yoke	Ductile Iron	A 536 Gr.65-45-12	1
008	Hand Wheel	Cast Iron	A 126 Class B	1
005	Gland	Ductile Iron	A 536 Gr.65-45-12	1
003	Disc	Ductile Iron	A 536 Gr.65-45-12	1
002	Bonnet	Ductile Iron	A 536 Gr.65-45-12	1
001	Body	Ductile Iron	A 536 Gr.65-45-12	1

RISING STEM (OS&Y) GATE VALVE 250 PSI BEVEL GEAR WITH HANDWHEEL, 125# FLANGES (SIZE 2" - 12")



Available options:

- 2" Operating NUT
- ANSI Class 250 Flanges
- Mechanical Joint Ends
- 300 psi rated valve



DETAIL A
BODY SEAT SCREWED IN



YOKE CONSTRUCTION
FOR SIZE 2" (50) - 3" (80)

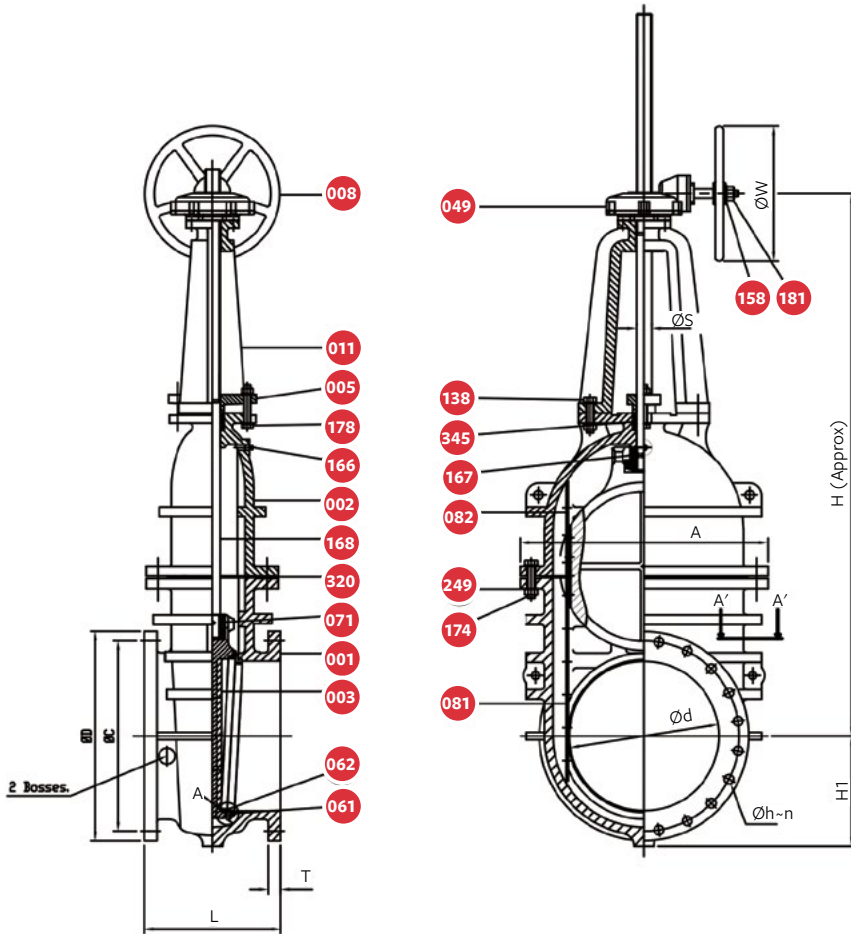
SIZE	ØD	L	ANSI B 16.1 CLASS 125					A	ØS	H	H1	ØW	GEAR OPERATOR
			ØD	ØC	ØH	N	T						
2	50	7±1/16	6	4 3/4	3/4	4	5/8	5.71	0.75	13.09	3	7.87	CB2 (2:1)
2 1/2	65	7 1/2±1/16	7	5 1/2	3/4	4	1 1/16	6.34	0.75	14.07	3 1/2	7.87	CB2 (2:1)
3	80	8±1/16	7 1/2	6	3/4	4	3/4	7.72	0.75	15.90	3 3/4	7.87	CB2 (2:1)
4	100	9±1/16	9	7 1/2	3/4	8	15/16	8.78	1.00	18.74	4 1/2	7.87	CB2 (2:1)
6	150	10 1/2±1/16	11	9 1/2	7/8	8	1	11.11	1.12	24.96	5 1/2	7.87	CB2 (2:1)
8	200	11 1/2±1/16	13 1/2	11 3/4	7/8	8	1 1/8	14.02	1.25	30.59	6 3/4	7.87	CB2 (2:1)
10	250	13±1/16	16	14 1/4	1	12	1 3/16	16.46	1.38	37.97	8	9.84	CB2.5 (2.5:1)
12	300	14±1/8	19	17	1	12	1 1/4	18.82	1.38	42.03	9 1/2	9.84	CB2.5 (2.5:1)

- Dimensions in Inches

NO.	PARTS	MATERIAL	ASTM.DESIGN.	QTY
345	Packing	Braided Packing Synthetic Yarn with PTFE		1
320	Bonnet Gasket	Rubber (Buna N)	D 2000 BK 807	1
249	Washer	Stainless Steel	A 276 Type 316	1 set
181	Hand Wheel Nut	Stainless Steel	A 276 Type 316	1
178	Gland Bolt & Nut	Stainless Steel	A 276 Type 316	2
174	Bonnet Bolt & Nut	Stainless Steel	A 276 Type 316	1 set
168	Stem	Stainless Steel	A 276 Type 316	1
167	Pin	Stainless Steel	A 276 Type 316	1
158	Hand Wheel Washer	Stainless Steel	A 276 Type 316	1
138	Yoke Bolt & Nut	Stainless Steel	A 276 Type 316	4
071	Stem Nut	Nickel Aluminum Bronze	B 148 C95800	1
062	Disc Seat Ring	Nickel Aluminum Bronze	B 148 C95800	2
061	Body Seat Ring	Nickel Aluminum Bronze	B 148 C95800	2
049	Gear Operator	See Table	—	1 set
011	Yoke	Ductile Iron	A 536 Gr.65-45-12	1
008	Hand Wheel	Cast Iron	A 126 Class B	1
005	Gland	Ductile Iron	A 536 Gr.65-45-12	1
003	Disc	Ductile Iron	A 536 Gr.65-45-12	1
002	Bonnet	Ductile Iron	A 536 Gr.65-45-12	1
001	Body	Ductile Iron	A 536 Gr.65-45-12	1

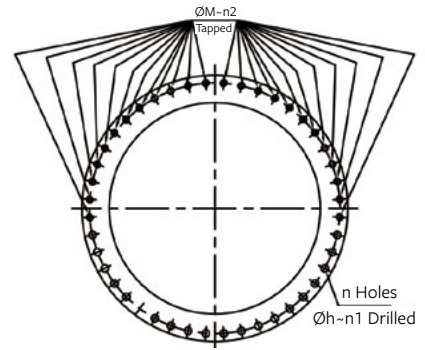
RISING STEM (OS&Y) GATE VALVE 250 PSI

BEVEL GEAR WITH HANDWHEEL, 125# FLANGES (SIZE 14" - 48") VERTICAL INSTALLATION



Available options:

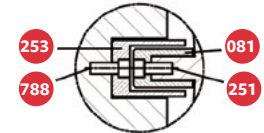
- 2" Operating NUT
- ANSI Class 250 Flanges
- Mechanical Joint Ends
- 300 psi rated valve



DETAIL OF FLANGE FOR SIZE 48" (1200) ONLY



DETAIL A
SCREWED IN BODY SEAT



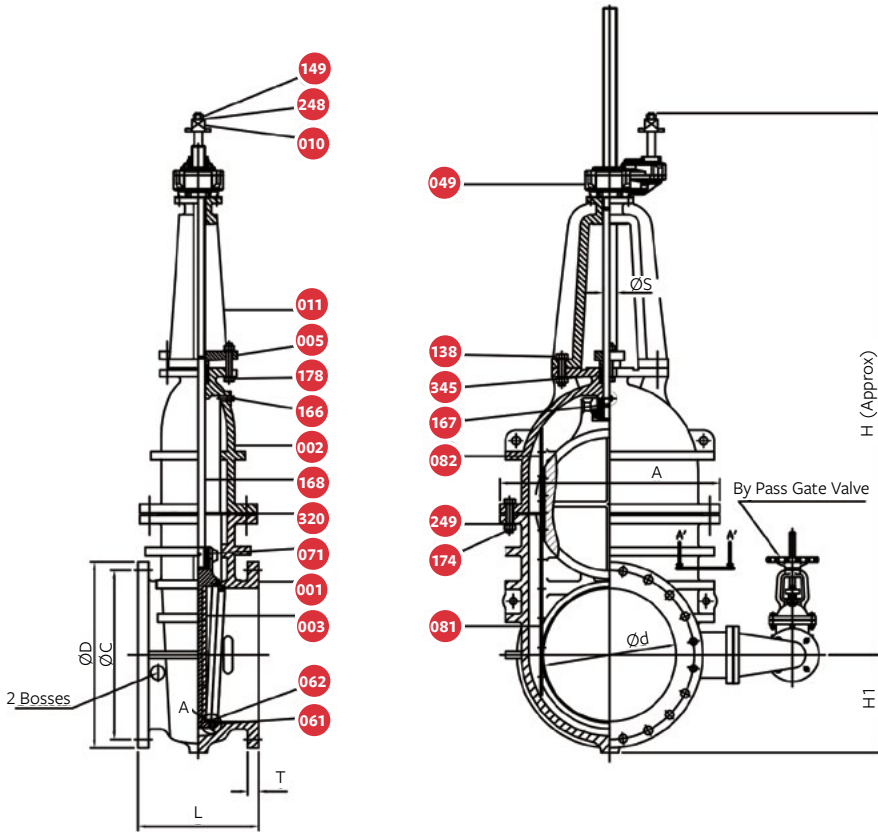
DETAILS FOR GUIDES
SECTION A' - A'

SIZE	ØD	L	ANSI B 16.1 CLASS 125					A	ØS	H	H1	ØW	GEAR OPERATOR	ØM	N1	N2
			ØD	ØC	ØH	N	T									
14	350	15±1/8	21	18 3/4	1 1/8	12	1 3/8	22.76	1 1/2	51.24	10.55	15.75	CB2.5 (2.5:1)	-	-	-
16	400	16±1/8	23 1/2	21 1/4	1 1/8	16	1 1/16	25.98	2	59.51	10.81	17.72	CB3 (3:1)	-	-	-
18	450	17±1/8	25	22 3/4	1 1/4	16	1 1/16	29.13	2	63.86	13.35	17.72	CB3 (3:1)	-	-	-
20	500	18±1/8	27 1/2	25	1 1/4	20	1 11/16	32.52	2	71.24	14.17	17.72	CB3 (3:1)	-	-	-
24	600	20±1/8	32	29 1/2	1 3/8	20	1 7/8	36.54	2	85.28	16.54	19.69	CB4 (4:1)	-	-	-
30	750	24±1/8	38 3/4	36	1 3/8	28	2 1/8	45.28	2 1/4	97.80	20.55	19.69	CB4 (4:1)	-	-	-
36	900	28±1/8	46	42 3/4	1 5/8	32	2 3/8	53.94	2 1/2	117.24	23.66	24.53	CB6 (6:1)	-	-	-
42	1050	32±1/8	53	49 1/2	1 5/8	36	2 5/8	60.39	3	133.90	27.36	24.53	CB6 (6:1)	-	-	-
48	1200	33±1/8	59 1/2	56	1 5/8	44	2 3/4	74.57	3 3/4	163.80	31.57	24.53	CB8 (8:1)	1 1/2 x 6 TPI (UNC)	20	24

- Dimensions in Inches

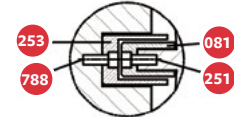
NO.	PARTS	MATERIAL	ASTM.DESIGN.	QTY
788	Disc Guide Bolt	Stainless Steel	A 276 Type 316	1 set
345	Packing	Braided Packing Synthetic Yarn with PTFE		1
320	Bonnet Gasket	Rubber (Buna N)	D 2000 BK 807	1
253	Disc Guide	Nickel Aluminum Bronze	B 148 C95800	1
251	Body Guide Bolt	Stainless Steel	A 276 Type 316	2 set
249	Washer	Stainless Steel	A 276 Type 316	1 set
181	Hand Wheel Nut	Stainless Steel	A 276 Type 316	1
178	Gland Bolt & Nut	Stainless Steel	A 276 Type 316	2
174	Bonnet Bolt & Nut	Stainless Steel	A 276 Type 316	1 set
168	Stem	Stainless Steel	A 276 Type 316	1
167	Pin	Stainless Steel	276 Type 316	1
166	Plug	Stainless Steel	A 276 Type 316	1
158	Hand Wheel Washer	Stainless Steel	A 276 Type 316	1
138	yoke Bolt & Nut	Stainless Steel	A 276 Type 316	4
082	Bonnet Guide	Nickel Aluminum Bronze	B 148 C95800	2
081	Body Guide	Nickel Aluminum Bronze	B 148 C95800	2
071	Stem Nut	Nickel Aluminum Bronze	B 148 C95800	1
062	Disc Seat Ring	Nickel Aluminum Bronze	B 148 C95800	2
061	Body Seat Ring	Nickel Aluminum Bronze	B 148 C95800	2
049	Gear Operator	See Table	—	1 set
011	Yoke	Ductile Iron	A 536 Gr.65-45-12	1
008	Hand Wheel	Cast Iron	A 126 Class B	1
005	Gland	Ductile Iron	A 536 Gr.65-45-12	1
003	Disc	Ductile Iron	A 536 Gr.65-45-12	1
002	Bonnet	Ductile Iron	A 536 Gr.65-45-12	1
001	Body	Ductile Iron	A 536 Gr.65-45-12	1

RIISING STEM (OS&Y) GATE VALVE 250 PSI SPUR GEAR WITH HANDWHEEL AND BYPASS VALVE, 125# FLANGES (SIZE 14" - 48") VERTICAL INSTALLATION



Available options:

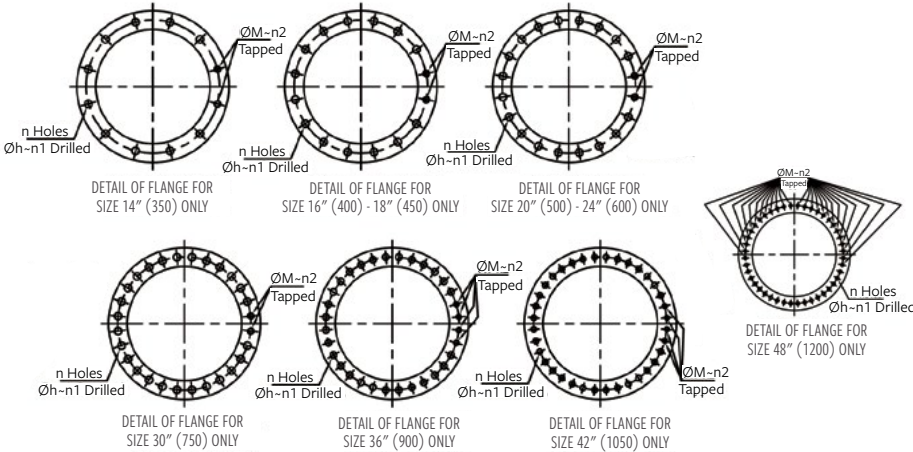
- ANSI Class 250 Flanges
- Mechanical Joint Ends
- 300 psi rated valve



DETAILS FOR GUIDES SECTION 'A' - 'A'



DETAIL A SCREWED IN BODY SEAT

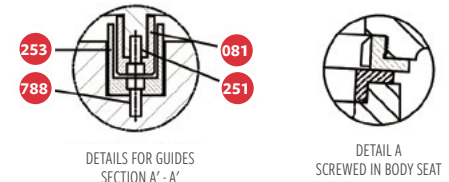
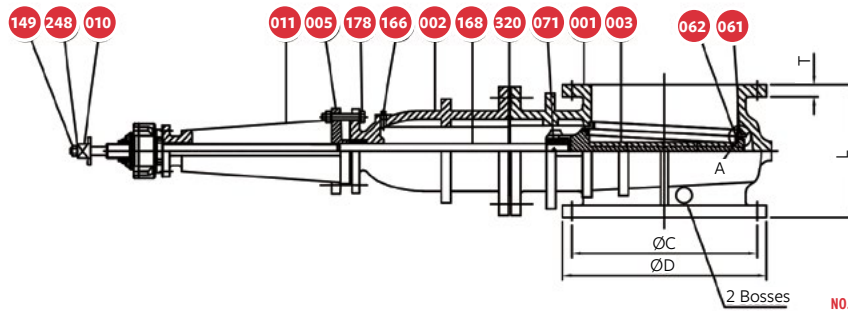
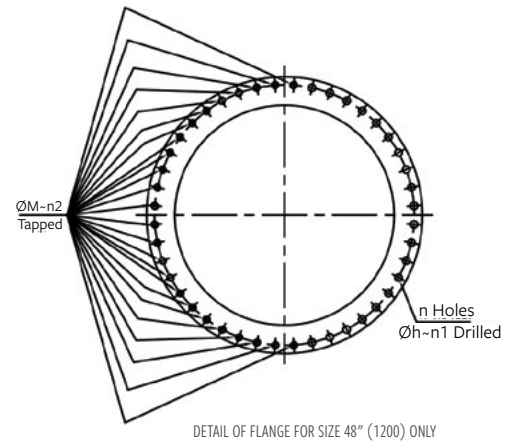
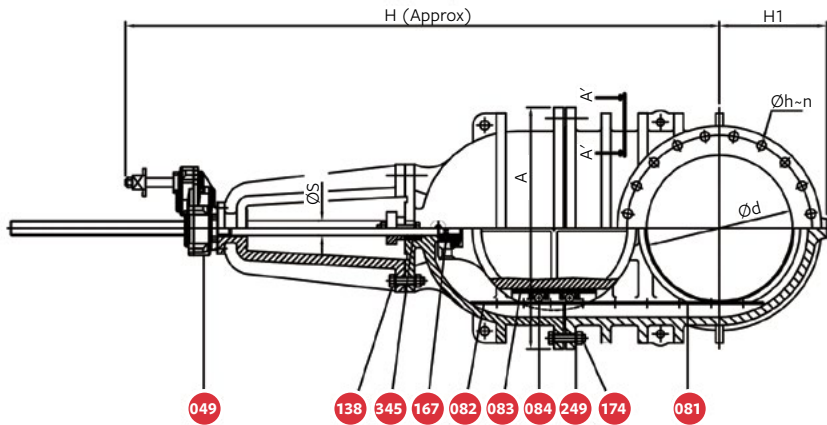


SIZE	ØD	L	ØD	ØC	ØH	N	T	A	ØS	H	H1	ØW	GEAR OPERATOR	BYPASS SIZE	ØM	N1	N2
IN.	MM.																
14	350	15± ¹ / ₁₆	21	18 ¾	1 ½	12	1 ¾	22.76	1 ½	58.50	10.55	15.75	CB2.5 (2.5:1)	2	1 x 8 TPI (UNC)	10	2
16	400	16± ¹ / ₁₆	23 ½	21 ¼	1 ½	16	1 ¾	25.98	2	68.33	10.81	17.72	CB3 (3:1)	3	1 x 8 TPI (UNC)	14	2
18	450	17± ¹ / ₁₆	25	22 ¾	1 ¼	16	1 ⅞	29.13	2	72.68	13.35	17.72	CB3 (3:1)	3	1 ½ x 7 TPI (UNC)	14	2
20	500	18± ¹ / ₁₆	27 ½	25	1 ¼	20	1 ⅞	32.52	2	80.06	14.17	17.72	CB3 (3:1)	3	1 ½ x 7 TPI (UNC)	18	2
24	600	20± ¹ / ₁₆	32	29 ½	1 ¾	20	1 ¾	36.54	2	94.49	16.54	19.69	CB4 (4:1)	4	1 ¼ x 7 TPI (UNC)	18	2
30	750	24± ¹ / ₁₆	38 ¾	36	1 ¾	28	2 ½	45.28	2 ½	107.01	20.55	19.69	CB4 (4:1)	4	1 ¼ x 7 TPI (UNC)	26	2
36	900	28± ¹ / ₁₆	46	42 ¾	1 ¾	32	2 ¾	53.94	2 ½	127.40	23.66	24.53	CB6 (6:1)	6	1 ½ x 6 TPI (UNC)	28	4
42	1050	32± ¹ / ₁₆	53	49 ½	1 ¾	36	2 ¾	60.39	3	144.06	27.36	24.53	CB6 (6:1)	6	1 ½ x 6 TPI (UNC)	32	4
48	1200	33± ¹ / ₁₆	59 ½	56	1 ¾	44	2 ¾	74.57	3 ¾	173.43	31.57	24.53	CB8 (8:1)	8	1 ½ x 6 TPI (UNC)	19	25

- Dimensions in Inches

NO.	PARTS	MATERIAL	ASTM.DESIGN.	QTY
788	Disc Guide Bolt	Stainless Steel	A 276 Type 316	1 set
345	Packing	Braided Packing Synthetic Yarn with PTFE		1
320	Bonnet Gasket	Rubber (Buna N)	D 2000 BK 807	1
253	Disc Guide	Nickel Aluminum Bronze	B 148 C95800	1
251	Body Guide Bolt	Stainless Steel	A 276 Type 316	2 set
249	Washer	Stainless Steel	A 276 Type 316	1 set
248	Top Washer	Stainless Steel	A 276 Type 316	1
178	Gland Bolt & Nut	Stainless Steel	A 276 Type 316	2
174	Bonnet Bolt & Nut	Stainless Steel	A 276 Type 316	1 set
168	Stem	Stainless Steel	A 276 Type 316	1
167	Pin	Stainless Steel	276 Type 316	1
166	Plug	Stainless Steel	A 276 Type 316	1
149	Top Nut	Stainless Steel	A 276 Type 316	1
138	Yoke Bolt & Nut	Stainless Steel	A 276 Type 316	4
082	Bonnet Guide	Nickel Aluminum Bronze	B 148 C95800	2
081	Body Guide	Nickel Aluminum Bronze	B 148 C95800	2
071	Stem Nut	Nickel Aluminum Bronze	B 148 C95800	1
062	Disc Seat Ring	Nickel Aluminum Bronze	B 148 C95800	2
061	Body Seat Ring	Nickel Aluminum Bronze	B 148 C95800	2
049	Gear Operator	See Table	—	1 set
011	Yoke	Ductile Iron	A 536 Gr.65-45-12	1
010	Operating Nut	Cast Iron	A 126 Class B	1
005	Gland	Ductile Iron	A 536 Gr.65-45-12	1
003	Disc	Ductile Iron	A 536 Gr.65-45-12	1
002	Bonnet	Ductile Iron	A 536 Gr.65-45-12	1
001	Body	Ductile Iron	A 536 Gr.65-45-12	1

RIISING STEM (OS&Y) GATE VALVE 250 PSI SPUR GEAR WITH 2" NUT, 125# FLANGES (SIZE 14" - 48") HORIZONTAL INSTALLATION



SIZE	ØD	L	ANSI B 16.1 CLASS 125					A	ØS	H	H1	GEAR OPERATOR	ØM	N1	N2
			ØD	ØC	ØH	N	T								
14	350	15±1/8	21	18 3/4	1 1/4	12	1 3/8	22.76	1 1/2	58.50	10.55	CB2.5 (2.5:1)	-	-	-
16	400	16±1/8	23 1/2	21 1/4	1 1/8	16	1 1/16	25.98	2	68.33	10.81	CB3 (3:1)	-	-	-
18	450	17±1/8	25	22 3/4	1 1/4	16	1 1/16	29.13	2	72.68	13.35	CB3 (3:1)	-	-	-
20	500	18±1/8	27 1/2	25	1 1/4	20	1 11/16	32.52	2	80.06	14.17	CB3 (3:1)	-	-	-
24	600	20±1/8	32	29 1/2	1 3/8	20	1 7/8	36.54	2	94.49	16.54	CB4 (4:1)	-	-	-
30	750	24±1/8	38 3/4	36	1 3/8	28	2 1/8	45.28	2 1/4	107.01	20.55	CB4 (4:1)	-	-	-
36	900	28±1/8	46	42 3/4	1 5/8	32	2 3/8	53.94	2 1/2	127.40	23.66	CB6 (6:1)	-	-	-
42	1050	32±1/8	53	49 1/2	1 5/8	36	2 5/8	60.39	3	144.06	27.36	CB6 (6:1)	-	-	-
48	1200	33±1/8	59 1/2	56	1 5/8	44	2 3/4	74.57	3 3/4	173.43	31.57	CB8 (8:1)	1 1/2 x 6 TPI (UNC)	20	24

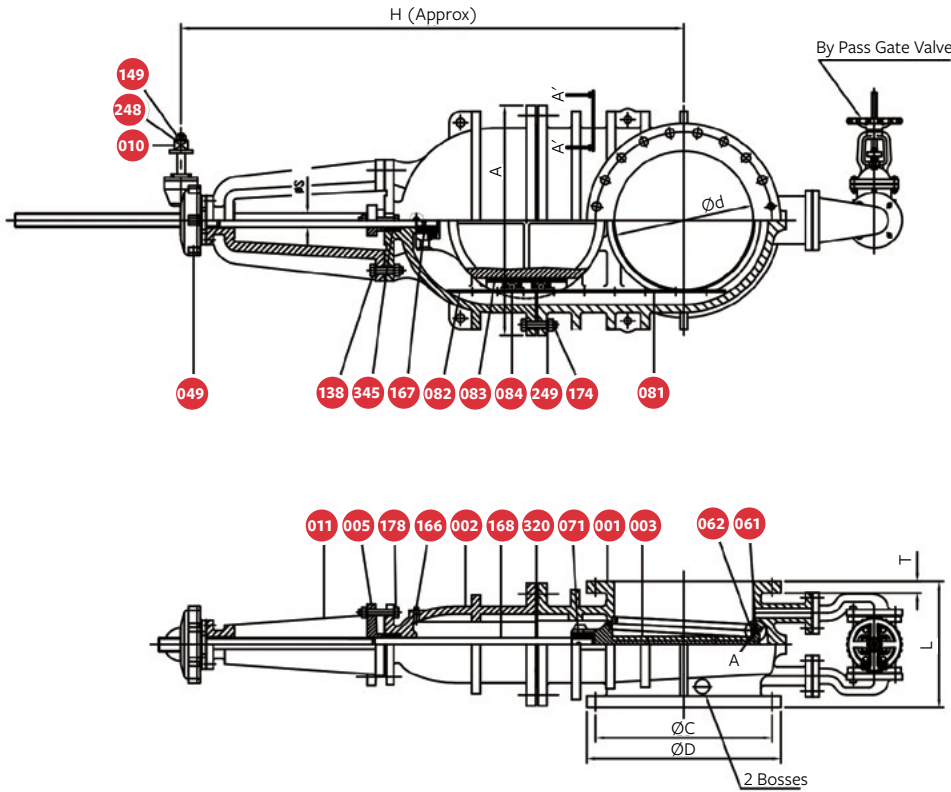
- Dimensions in Inches

Available options:

- ANSI Class 250 Flanges
- Mechanical Joint Ends
- 300 psi rated valve

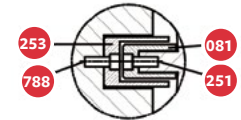
NO.	PARTS	MATERIAL	ASTM.DESIGN.	QTY
788	Disc Guide Bolt	Stainless Steel	A 276 Type 316	2 set
345	Packing	Braided Packing Synthetic Yarn with PTFE		1
320	Bonnet Gasket	Rubber (Buna N)	D 2000 BK 807	1
253	Disc Guide	Nickel Aluminum Bronze	B 148 C95800	2
251	Body Guide Bolt	Stainless Steel	A 276 Type 316	2 set
249	Washer	Stainless Steel	A 276 Type 316	1 set
248	Top Washer	Stainless Steel	A 276 Type 316	1
178	Gland Bolt & Nut	Stainless Steel	A 276 Type 316	2
174	Bonnet Bolt & Nut	Stainless Steel	A 276 Type 316	1 set
168	Stem	Stainless Steel	A 276 Type 316	1
167	Pin	Stainless Steel	A 276 Type 316	1
166	Plug	Stainless Steel	A 276 Type 316	1
149	Top Nut	Stainless Steel	A 276 Type 316	1
138	Yoke Bolt & Nut	Stainless Steel	A 276 Type 316	4
084	Roller	Nickel Aluminum Bronze	B 148 C95800	2
083	Roller Box	Nickel Aluminum Bronze	B 148 C95800	1
082	Bonnet Guide	Nickel Aluminum Bronze	B 148 C95800	2
081	Body Guide	Nickel Aluminum Bronze	B 148 C95800	2
071	Stem Nut	Nickel Aluminum Bronze	B 148 C95800	1
062	Disc Seat Ring	Nickel Aluminum Bronze	B 148 C95800	2
061	Body Seat Ring	Nickel Aluminum Bronze	B 148 C95800	2
049	Gear Operator	See Table	—	1 set
011	Yoke	Ductile Iron	A 536 Gr.65-45-12	1
010	Operating Nut	Cast Iron	A 126 Class B	1
005	Gland	Ductile Iron	A 536 Gr.65-45-12	1
003	Disc	Ductile Iron	A 536 Gr.65-45-12	1
002	Bonnet	Ductile Iron	A 536 Gr.65-45-12	1
001	Body	Ductile Iron	A 536 Gr.65-45-12	1

RIISING STEM (OS&Y) GATE VALVE 250 PSI BEVEL GEAR WITH 2" NUT AND BYPASS VALVE, 125# FLANGES (SIZE 14" - 48") HORIZONTAL INSTALLATION



Available options:

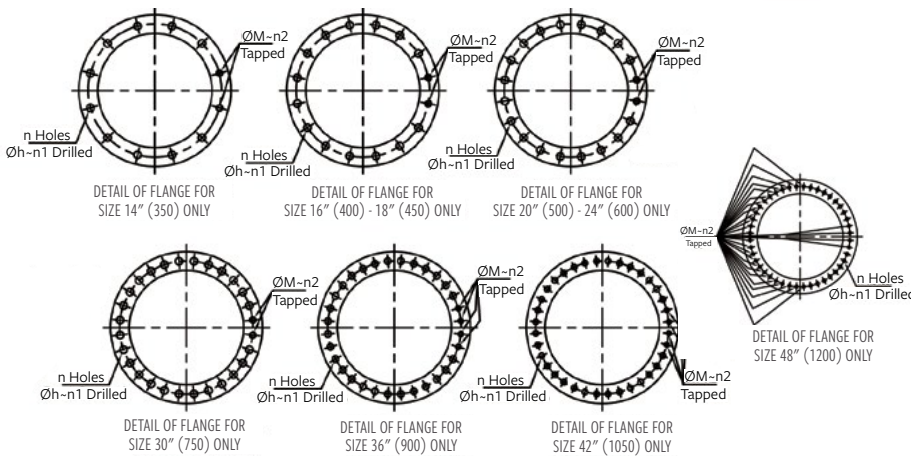
- Handwheel
- ANSI Class 250 Flanges
- Mechanical Joint Ends
- 300 psi rated valve



DETAILS FOR GUIDES SECTION A' - A'



DETAIL A
SCREWED IN BODY SEAT



SIZE ØD	IN.	MM.	L	ANSI B 16.1 CLASS 125				A	ØS	H	GEAR OPERATOR	BYPASS SIZE	ØM	N1	N2
				ØD	ØC	ØH	N								
14	350	15±1/8	21	18 3/4	1 1/8	12	1 3/8	22.76	1 1/2	51.24	CB2.5 (2.5:1)	2	1 x 8 TPI (UNC)	10	2
16	400	16±3/8	23 1/2	21 1/4	1 1/8	16	1 1/16	25.98	2	59.51	CB3 (3:1)	3	1 x 8 TPI (UNC)	14	2
18	450	17±3/8	25	22 3/4	1 1/4	16	1 1/16	29.13	2	63.86	CB3 (3:1)	3	1 1/4 x 7 TPI (UNC)	14	2
20	500	18±7/8	27 1/2	25	1 1/4	20	1 11/16	32.52	2	71.24	CB3 (3:1)	3	1 1/4 x 7 TPI (UNC)	18	2
24	600	20±3/8	32	29 1/2	1 3/8	20	1 7/8	36.54	2	85.28	CB4 (4:1)	4	1 1/4 x 7 TPI (UNC)	18	2
30	750	24±3/8	38 3/4	36	1 3/8	28	2 1/8	45.28	2 1/4	97.80	CB4 (4:1)	4	1 1/4 x 7 TPI (UNC)	26	2
36	900	28±3/8	46	42 3/4	1 3/8	32	2 3/8	53.94	2 1/2	117.24	CB6 (6:1)	6	1 1/2 x 6 TPI (UNC)	28	4
42	1050	32±3/8	53	49 1/2	1 3/8	36	2 5/8	60.39	3	133.90	CB6 (6:1)	6	1 1/2 x 6 TPI (UNC)	32	4
48	1200	33±3/8	59 1/2	56	1 3/8	44	2 3/4	74.57	3 3/4	163.80	CB8 (8:1)	8	1 1/2 x 6 TPI (UNC)	16	28

- Dimensions in Inches

NO.	PARTS	MATERIAL	ASTM.DESIGN.	QTY
788	Disc Guide Bolt	Stainless Steel	A 276 Type 316	1 set
345	Packing	Braided Packing Synthetic Yarn with PTFE		1
320	Bonnet Gasket	Rubber (Buna N)	D 2000 BK 807	1
253	Disc Guide	Nickel Aluminum Bronze	B 148 C95800	1
251	Body Guide Bolt	Stainless Steel	A 276 Type 316	2 set
249	Washer	Stainless Steel	A 276 Type 316	1 set
248	Top Washer	Stainless Steel	A 276 Type 316	1
178	Gland Bolt & Nut	Stainless Steel	A 276 Type 316	2
174	Bonnet Bolt & Nut	Stainless Steel	A 276 Type 316	1 set
168	Stem	Stainless Steel	A 276 Type 316	1
167	Pin	Stainless Steel	276 Type 316	1
166	Plug	Stainless Steel	A 276 Type 316	1
149	Top Nut	Stainless Steel	A 276 Type 316	1
138	Yoke Bolt & Nut	Stainless Steel	A 276 Type 316	4
084	Roller	Nickel Aluminum Bronze	B 148 C95800	2
083	Roller Box	Nickel Aluminum Bronze	B 148 C95800	1
082	Bonnet Guide	Nickel Aluminum Bronze	B 148 C95800	2
081	Body Guide	Nickel Aluminum Bronze	B 148 C95800	2
071	Stem Nut	Nickel Aluminum Bronze	B 148 C95800	1
062	Disc Seat Ring	Nickel Aluminum Bronze	B 148 C95800	2
061	Body Seat Ring	Nickel Aluminum Bronze	B 148 C95800	2
049	Gear Operator	See Table	—	1 set
011	Yoke	Ductile Iron	A 536 Gr.65-45-12	1
010	Operating Nut	Cast Iron	A 126 Class B	1
005	Gland	Ductile Iron	A 536 Gr.65-45-12	1
003	Disc	Ductile Iron	A 536 Gr.65-45-12	1
002	Bonnet	Ductile Iron	A 536 Gr.65-45-12	1
001	Body	Ductile Iron	A 536 Gr.65-45-12	1

For more information about us or to view our full line of water products, please visit www.prattvalve.com or call Pratt customer service at:

UK: +44.1438.487410 Dubai: +971.4.214.6640 Singapore: +65.6816.3088 USA: 800.423.1323

Mueller refers to one or more of Mueller Water Products, Inc., a Delaware corporation ("MWP"), and its subsidiaries. MWP and each of subsidiaries are legally separate and independent entities when providing products and services. MWP does not provide products or services to third parties. MWP and each of its subsidiaries are liable only for their own acts and omissions and not those of each other. MWP brands include Mueller®, Echologics®, Hydro Gate®, Hydro-Guard®, Jones®, MiNet®, Milliken®, Pratt®, Singer®, and U.S. Pipe Valve & Hydrant. Please see www.muellerwp.com/about to learn more.

Copyright © 2019 Henry Pratt Company, LLC. All Rights Reserved. The trademarks, logos and service marks displayed in this document are the property of Mueller Water Products, Inc., its affiliates or other third parties. Products above marked with a section symbol (§) are subject to patents or patent applications. For details, visit www.mwppat.com. These products are intended for use in potable water applications. Please contact your Mueller Sales or Customer Service Representative concerning any other application(s).

F MSSW0515 9/19

