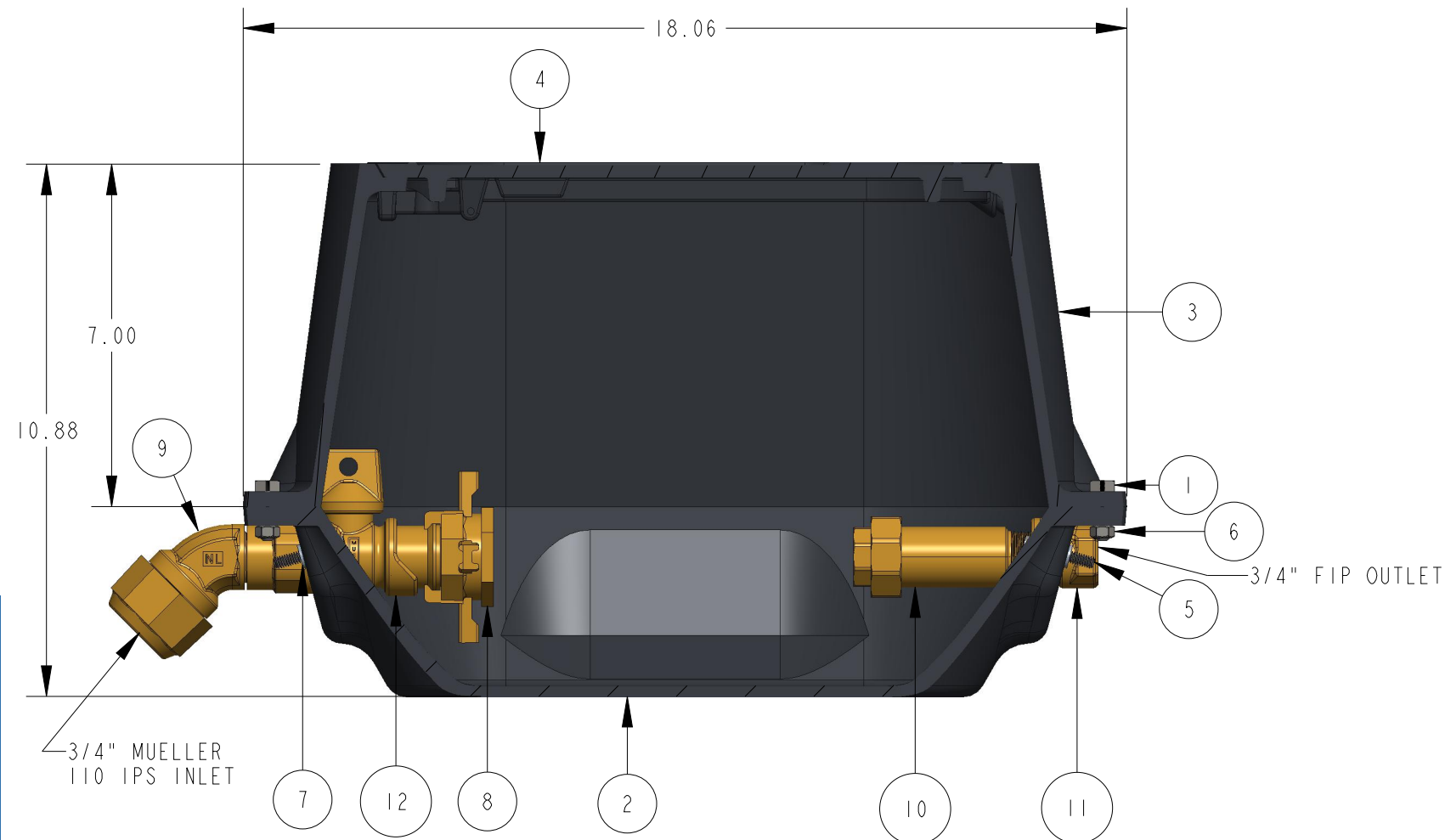


ITEM NO	PART NUMBER	QTY	DESCRIPTION	MATERIAL
1	504041	4	HEX CAP SCREW	YELLOW BRASS ASTM B134 ALLOY C26000
2	532208_REV-C	1	STRETCH BASE TRAY CASTING	CAST IRON ASTM A48 CLASS 25
3	532209_REV-B	1	STRETCH BOX UPPER SECTION	CAST IRON ASTM A48 CLASS 25
4	532211	1	METER BOX LID	CAST IRON ASTM A48 CLASS 25
5	544622	4	MACHINE SCREW	STAINLESS STEEL
6	544623	4	HEX NUT	STAINLESS STEEL
7	544631	4	1/4" LOCK WASHER 304SS	STAINLESS STEEL
8	250H14234N	1	3/4" HANDWHEEL EXPANSION	LEAD FREE BRASS ALLOY ASTM B584 C89833/C87850
9	250H15527N	1	3/4" MUELLER 110 IPS CONNECTION SERVICE FITTING	LEAD FREE BRASS ALLOY ASTM B584 C89833/C87850
10	311930E	1	Two-Stage Backflow-Prevention Valve	Low Lead Cast Bronze ASTM B 584
11	508563E	1	3/4" INSIDE IP THREAD OUTLET	LEAD FREE BRASS ALLOY ASTM B584 C89833/C87850
12	683021N	1	INLINE IRON METER BOX BALL VALVE	LEAD FREE BRASS ALLOY ASTM B584 C89833/C87850



234B2462--C--N

DR. BY	AOS	2/09/24	UNLESS OTHERWISE NOTED		THIRD ANGLE PROJECTION		C.B. NO.
CHKR			BREAK CAST CORNER(S)---				
ENGR			BREAK MACH CORNER(S)---		PURCH.	FINISH	PATT. NO.
MGR			TOLERANCES		REF. NO.	SCALE	
MFG			UNLESS OTHERWISE NOTED			NONE	
TOOL			LINEAR	ANGULAR	STK. NO.		
FDRY			±	±			
MAT'L:							
MUELLER			DESCR. 5/8" X 3/4" CAST IRON METER BOX 7" HEIGHT LEAD FREE BRASS		NUMBER 234B2462--C--N		