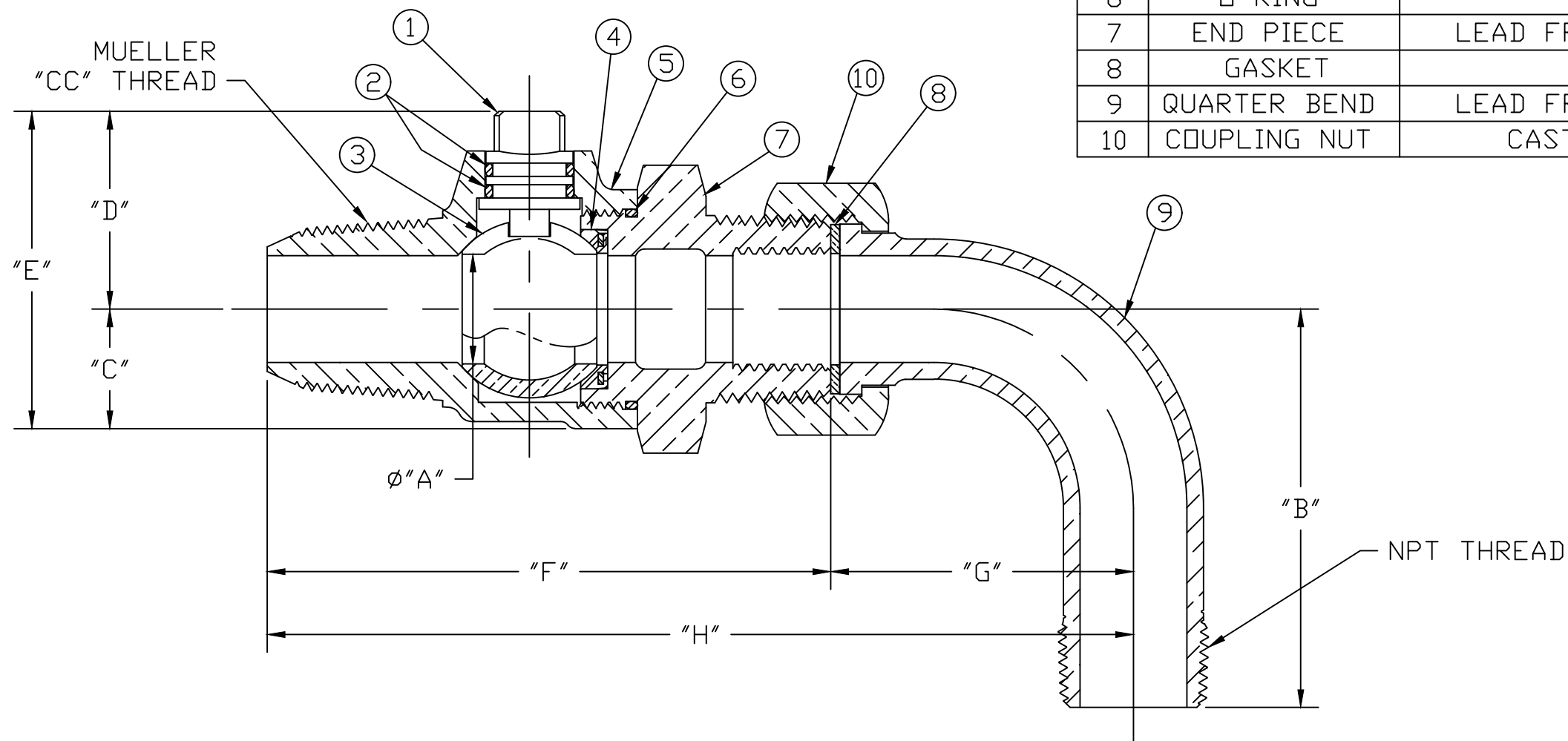


SIZE	ØA	B	C	D	E	F	G	H
3/4	.750	2.797	.840	1.390	2.203	3.955	2.124	6.079
1	1.000	2.562	1.150	1.591	2.714	4.588	2.453	7.041
1-1/2	1.500	3.812	1.500	2.235	3.735	5.395	2.906	8.301
2	2.000	4.328	1.820	2.557	4.377	6.246	3.296	9.542

No.	DESCRIPTION	MATERIAL
1	STEM	LEAD FREE BRASS ALLOY ASTM B584/B371
2	O-RING	EPDM D2000
3	BALL	LEAD FREE BRASS ALLOY ASTM B584
4	GASKET - SEAL	EPDM D200
5	BODY	LEAD FREE BRASS ALLOY ASTM B584
6	O-RING	EPDM D2000
7	END PIECE	LEAD FREE BRASS ALLOY ASTM B584
8	GASKET	FIBER
9	QUARTER BEND	LEAD FREE BRASS ALLOY ASTM B584
10	COUPLING NUT	CAST BRASS ALLOY ASTM B584



MEETS ALL REQUIREMENTS OF AWWA C800  
 ALL STEMS ARE LEAD FREE BRASS ALLOY C89833/C69300  
 ALL WETTED PARTS ARE LEAD FREE BRASS ALLOY C89833/C87850  
 ALL NON WETTED PARTS ARE BRASS ALLOY C83600/C87850

DWG NUMBER  
B2000303N

DRFTR	AD	03/07/23	<b>MUELLER</b>	
CHKR				
ENGR			UNLESS OTHERWISE NOTED SURFACE PREPARATION: BREAK CORNER(S) ---- .000 SURFACE FINISH -- XX RMS	THIRD ANGLE PROJECTION
MGR				REF. No.
	BY	DATE	TOLERANCE(S): LINEAR ----- ± .000 ANGULAR ----- ± 0°00'	NONE
STK No:	MAT'L:			
DESCR.	BALL CORPORATION VALVE - 2 PC (“CC” x MIP)			DWG NUMBER B2000303N

TITLE TO AND OWNERSHIP OF THIS ENGINEERING DATA REMAINS IN Mueller Co. NO USE IS TO BE MADE OF THIS DATA EXCEPT AS SPECIFICALLY AUTHORIZED BY Mueller Co. ASSENT ON THE PART OF THE RECIPIENT TO THESE CONDITIONS IS PRESUMED