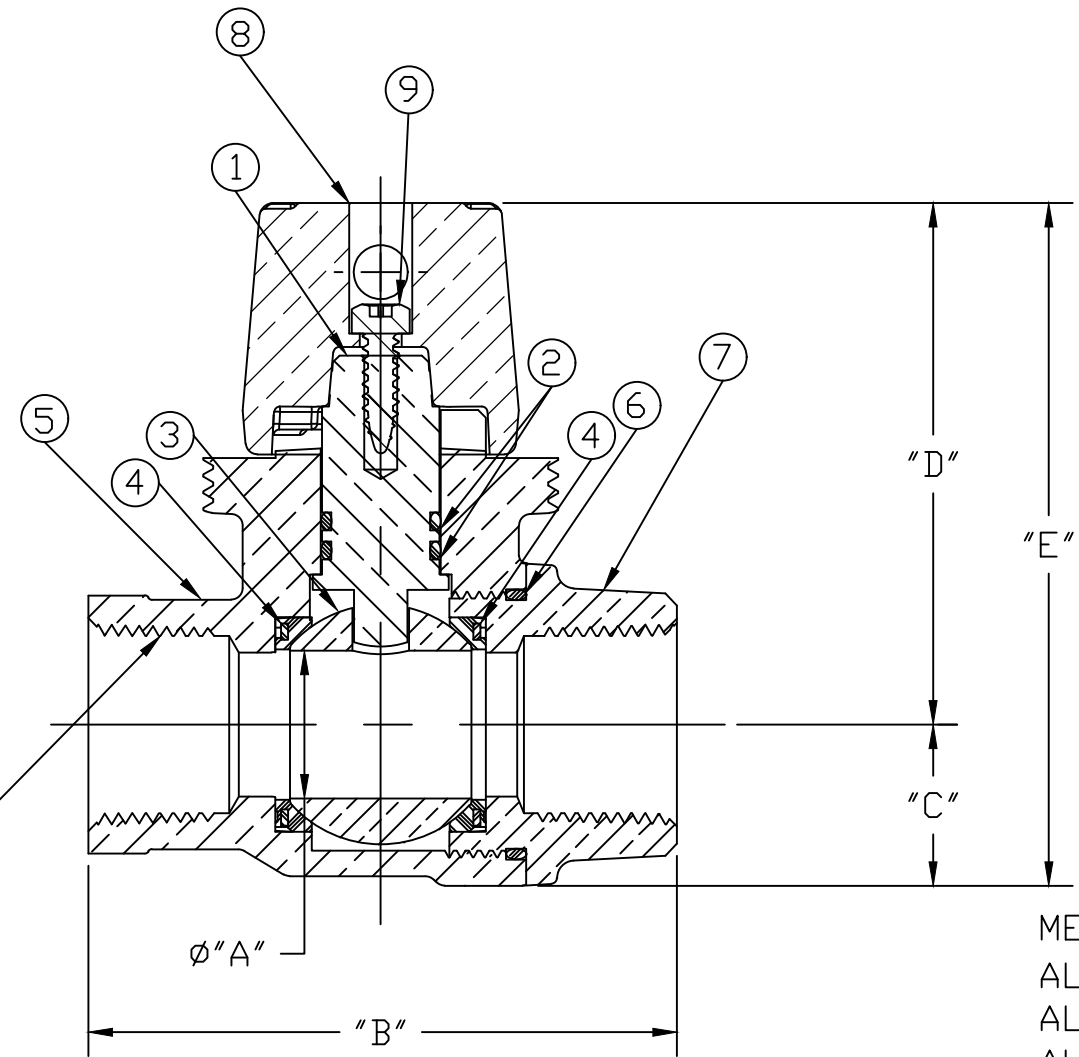


No.	DESCRIPTION	MATERIAL
1	STEM	LEAD FREE BRASS ALLOY ASTM B584/B371
2	O-RING	EPDM D2000
3	BALL	LEAD FREE BRASS ALLOY ASTM B584
4	GASKET - SEAL	EPDM D2000
5	BODY	LEAD FREE BRASS ALLOY ASTM B584
6	O-RING	EPDM D2000
7	END PIECE	LEAD FREE BRASS ALLOY ASTM B584
8	CAP	CAST BRASS ALLOY ASTM B584
9	SCREW	18-8 STAINLESS STEEL



SIZE	ØA	B	C	D	E
3/4	.750	3.070	.840	2.717	3.561
1	1.000	3.972	1.150	2.920	4.061
1-1/2	1.500	4.312	1.656	3.561	5.217
2	2.000	4.940	2.00	3.889	5.889

NPT THREAD
(EACH END)

MEETS ALL REQUIREMENTS OF AWWA C800
 ALL STEMS ARE LEAD FREE BRASS ALLOY C89833/C69300
 ALL WETTED PARTS ARE LEAD FREE BRASS ALLOY C89833/C87850
 ALL NON WETTED PARTS ARE BRASS ALLOY C83600/C87850

DWG NUMBER
B20287N

TITLE TO AND OWNERSHIP OF THIS ENGINEERING
 DATA REMAINS IN Mueller Co. NO USE IS TO BE
 MADE OF THIS DATA EXCEPT AS SPECIFICALLY
 AUTHORIZED BY Mueller Co. ASSENT ON THE PART
 OF THE RECIPIENT TO THESE CONDITIONS IS PRESUMED

DRFTR	AD	03/10/23	MUELLER	
CHKR				
ENGR				
MGR				
			UNLESS OTHERWISE NOTED	THIRD ANGLE PROJECTION
			SURFACE PREPARATION:	
			BREAK CORNER(S) ---- .000	
			SURFACE FINISH -- 000 RMS	REF. No.
			TOLERANCE(S):	SCALE
			LINEAR ----- ± .000	NONE
			ANGULAR ----- ± 0°00'	
STK No:				
MAT'L:				
DESCR.			DWG NUMBER	
INLINE CURB BALL VALVE w/ MINN TOP (FIP x FIP)			B20287N	