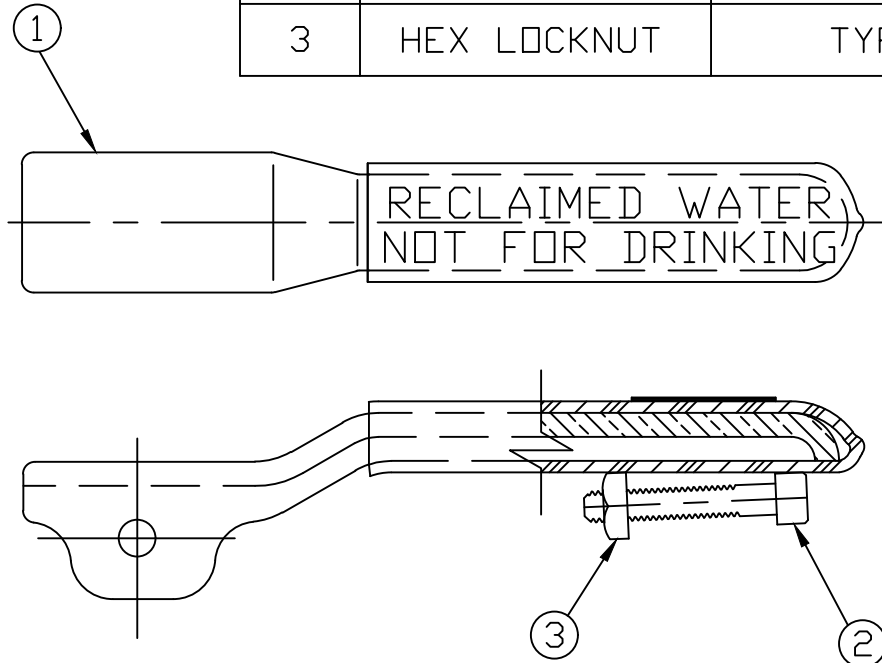


DWG NUMBER
B2029801

NO.	DESCRIPTION	MATERIAL
1	LEVER HANDLE	CAST BRASS ALLOY ASTM B584
2	MACH SCREW	TYPE 304 STAINLESS STEEL
3	HEX LOCKNUT	TYPE 18-8 STAINLESS STEEL



TITLE TO AND OWNERSHIP OF THIS ENGINEERING DATA REMAINS IN Mueller Co. NO USE IS TO BE MADE OF THIS DATA EXCEPT AS SPECIFICALLY AUTHORIZED BY Mueller Co. ASSENT ON THE PART OF THE RECIPIENT TO THESE CONDITIONS IS PRESUMED

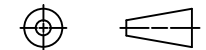
MEETS ALL REQUIREMENTS OF
AWWA C800
ALL WETTED PARTS ARE LEAD
FREE BRASS ALLOY C89833/
C87850
ALL NON WETTED PARTS ARE
BRASS ALLOY C83600/C87850

DRFTR	AD	02/08/23
CHKR		
ENGR		
MGR		
	BY	DATE

MUELLER

UNLESS OTHERWISE NOTED
SURFACE PREPARATION:
BREAK CORNER(S) ---- .000
SURFACE FINISH -- XX RMS
TOLERANCE(S):
LINEAR ----- ± .000
ANGULAR ----- ± 0°00'

THIRD ANGLE PROJECTION



REF. No.	SCALE
	FULL

STK No:	
MAT'L:	
DESCR. RECLAIMED WATER BALL VALVE LEVER HANDLE W/ SCREW AND NUT	DWG NUMBER B2029801