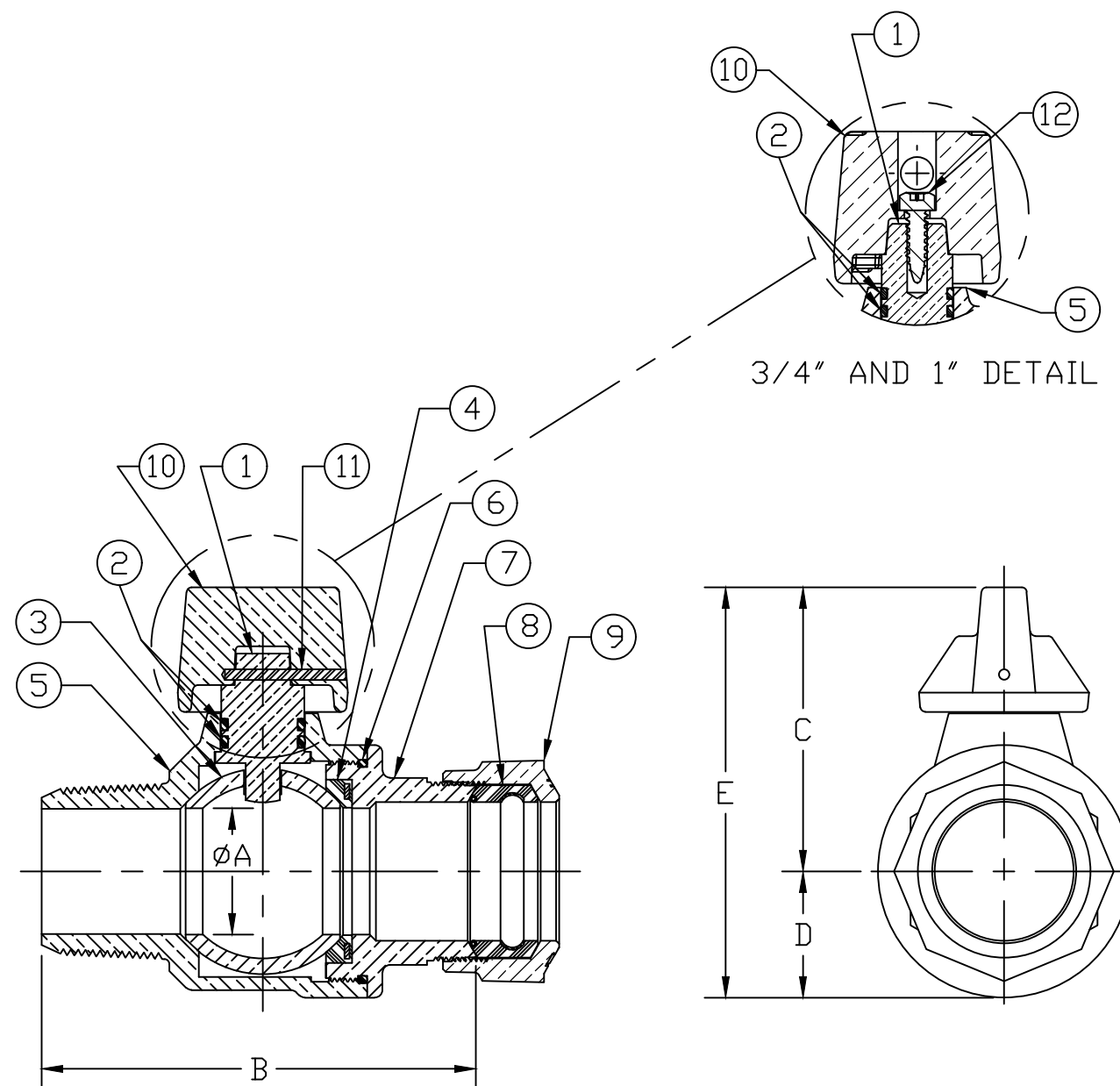


No.	DESCRIPTION	MATERIAL DESCRIPTION
1	STEM	LEAD FREE BRASS ALLOY ASTM B584/B371
2	O-RING	EPDM D2000
3	BALL	LEAD FREE BRASS ALLOY ASTM B584
4	RUBBER GASKET	EPDM D2000
5	BODY	LEAD FREE BRASS ALLOY ASTM B584
6	O-RING	EPDM D2000
7	END PIECE	LEAD FREE BRASS ALLOY ASTM B584
8	GASKET SUB	ASTM D2000(SBR)&410 STAINLESS STEEL
9	CONNX NUT	CAST BRASS ALLOY ASTM B584
10	CAP	CAST BRASS ALLOY ASTM B584
11	ROLLPIN	ASTM A240 TYPE 302
3/4" AND 1" SIZE ONLY		
12	SCREW	18-8 STAINLESS STEEL

SIZE	ØA	B	C	D	E
3/4"	.75	3.62	1.84	.84	2.68
1"	1.00	4.65	2.08	1.15	3.23
1-1/2"	1.50	5.16	3.37	1.50	4.87
1-1/2x2"	1.50	5.13	3.37	1.50	4.87
2"	2.00	5.61	3.70	1.82	5.52



MEETS ALL REQUIREMENTS OF AWWA C800
 ALL STEMS ARE LEAD FREE BRASS ALLOY C89833/C69300
 ALL WETTED PARTS ARE LEAD FREE BRASS ALLOY C89833/C87850
 ALL NON WETTED PARTS ARE BRASS ALLOY C83600/C87850

DRFTR	AD	03/07/23	MUELLER	
CHKR				
ENGR				
MGR				
			UNLESS OTHERWISE NOTED	THIRD ANGLE PROJECTION
			SURFACE PREPARATION:	
			BREAK CORNER(S) ---- .000	
			SURFACE FINISH -- XX RMS	REF. No.
			TOLERANCE(S):	SCALE
			LINEAR ----- ± .000	NONE
			ANGULAR ----- ± 0°00'	
STK No:				
MAT'L:				
DESCR.	BALL CORPORATION VALVE w/ CAP (CC x 110CTS)			DWG NUMBER B2500810N

TITLE TO AND OWNERSHIP OF THIS ENGINEERING DATA REMAINS IN Mueller Co. NO USE IS TO BE MADE OF THIS DATA EXCEPT AS SPECIFICALLY AUTHORIZED BY Mueller Co. ASSENT ON THE PART OF THE RECIPIENT TO THESE CONDITIONS IS PRESUMED

DWG NUMBER
B2500810N