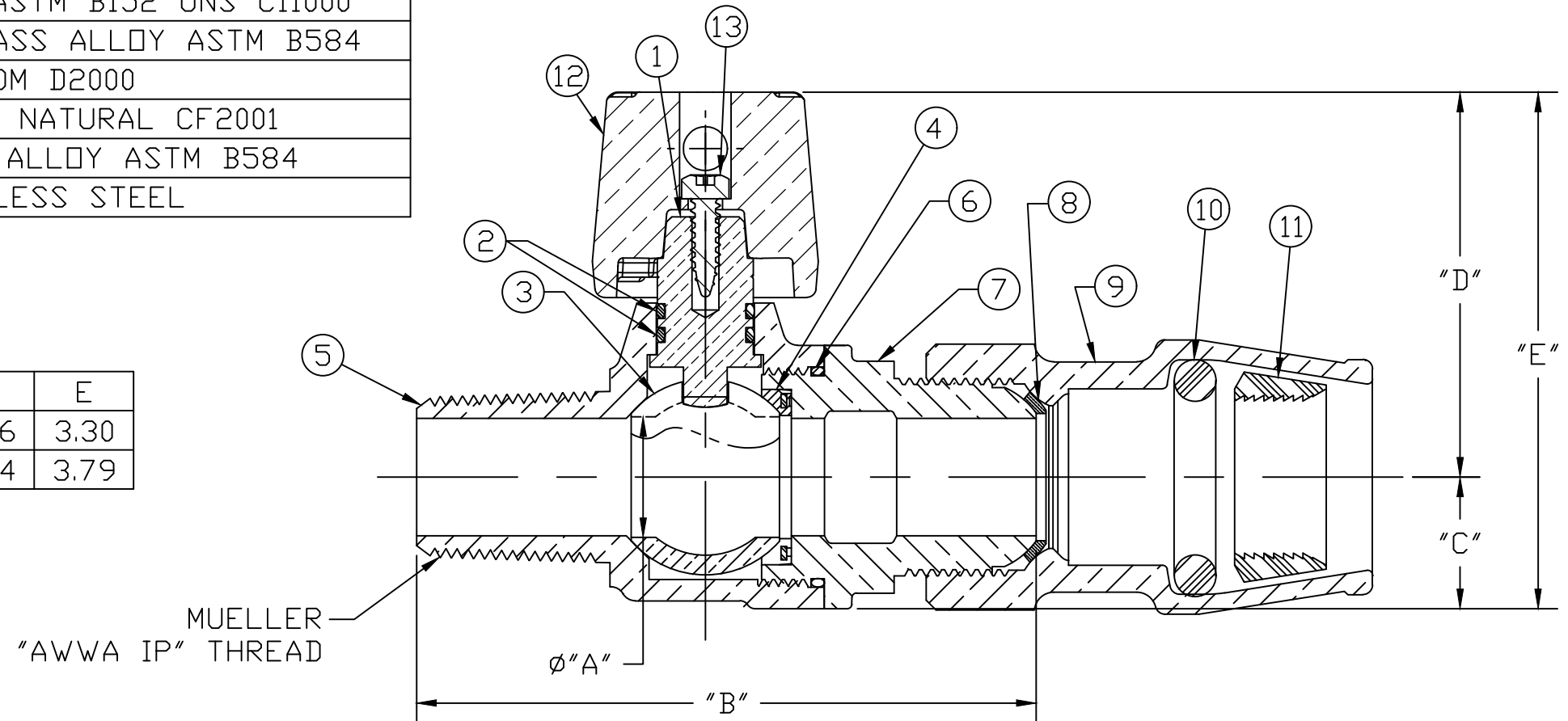


No.	DESCRIPTION	MATERIAL
1	STEM	LEAD FREE BRASS ALLOY ASTM B584/B371
2	O-RING	EPDM D2000
3	BALL	LEAD FREE BRASS ALLOY ASTM B584
4	GASKET - SEAL	EPDM D2000
5	BODY	LEAD FREE BRASS ALLOY ASTM B584
6	O-RING	EPDM D2000
7	END PIECE	LEAD FREE BRASS ALLOY ASTM B584
8	COPPER GASKET	COPPER SHEET ASTM B152 UNS C11000
9	INSTA-TITE BODY	LEAD FREE BRASS ALLOY ASTM B584
10	O-RING	EPDM D2000
11	GRIP RING	CELCON M90 NATURAL CF2001
12	CAP	CAST BRASS ALLOY ASTM B584
13	PIN	STAINLESS STEEL

SIZE	ØA	B	C	D	E
3/4"	.75	3.95	.84	2.46	3.30
1"	1.00	4.87	1.15	2.64	3.79



MEETS ALL REQUIREMENTS OF AWWA C800
 ALL STEMS ARE LEAD FREE BRASS ALLOY C89833/C69300
 ALL WETTED PARTS ARE LEAD FREE BRASS ALLOY C89833/C87850
 ALL NON WETTED PARTS ARE BRASS ALLOY C83600/C87850

DWG NUMBER
B2502610N

DRFTR	AD	03/08/23	MUELLER	
CHKR				
ENGR			UNLESS OTHERWISE NOTED	THIRD ANGLE PROJECTION
MGR				SURFACE PREPARATION: BREAK CORNER(S) ---- .000 SURFACE FINISH -- XX RMS
	BY	DATE	TOLERANCE(S): LINEAR ----- ± .000 ANGULAR ----- ± 0°00'	SCALE
				NONE
STK No:			MAT'L:	
DESCR.	BALL CORPORATION VALVE W/ NON-DETACHABLE T-HEAD CAP ("AWWA IP" x IPS PE)			DWG NUMBER B2502610N

TITLE TO AND OWNERSHIP OF THIS ENGINEERING DATA REMAINS IN Mueller Co. NO USE IS TO BE MADE OF THIS DATA EXCEPT AS SPECIFICALLY AUTHORIZED BY Mueller Co. ASSENT ON THE PART OF THE RECIPIENT TO THESE CONDITIONS IS PRESUMED