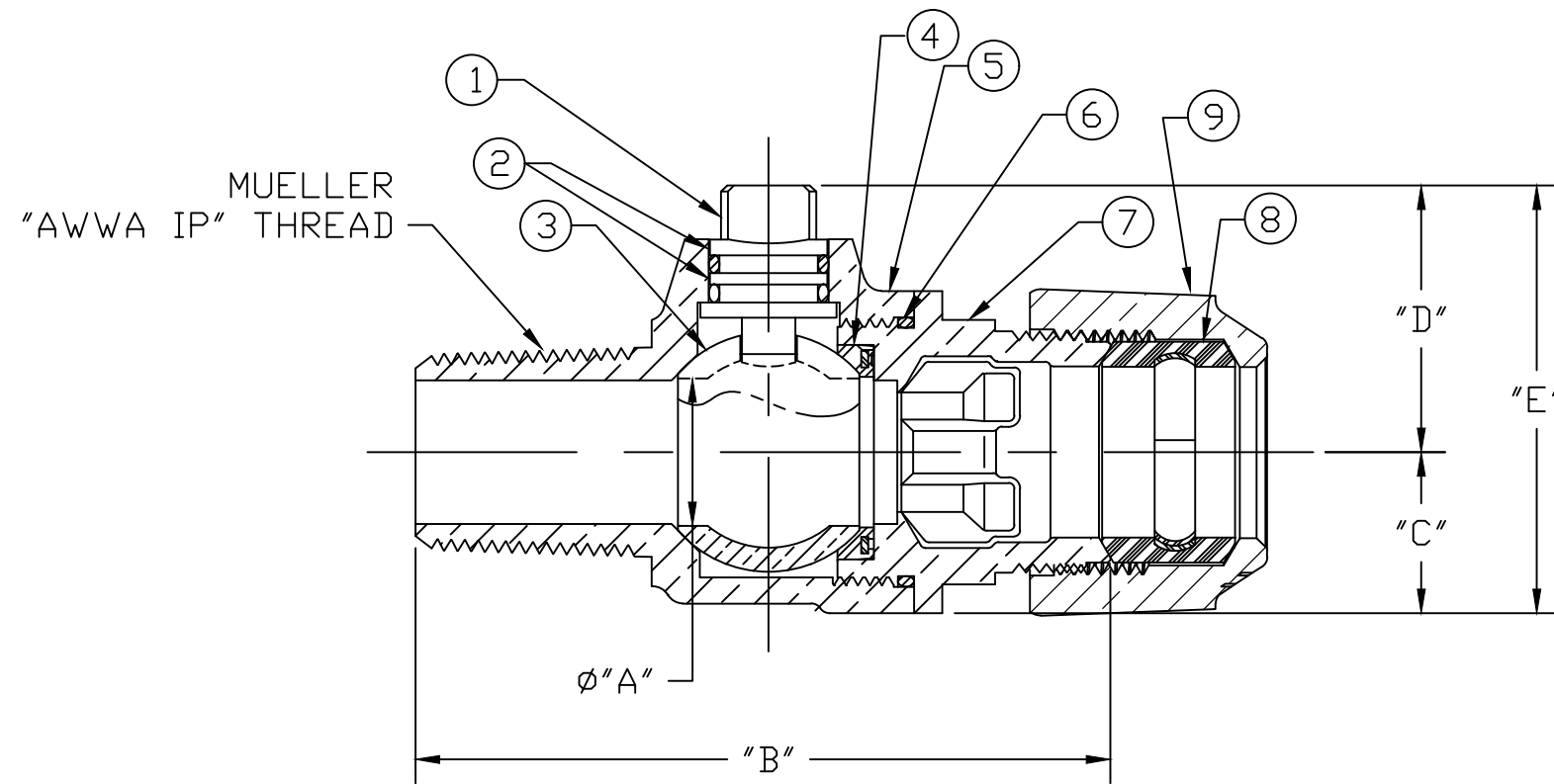


No.	DESCRIPTION	MATERIAL
1	STEM	LEAD FREE BRASS ALLOY ASTM B584/B371
2	O-RING	EPDM D2000
3	BALL	LEAD FREE BRASS ALLOY ASTM B584
4	GASKET - SEAL	EPDM D2000
5	BODY	LEAD FREE BRASS ALLOY ASTM B584
6	O-RING	EPDM D2000
7	END PIECE	LEAD FREE BRASS ALLOY ASTM B584
8	CTS GSKT SUB	SBR D2000 - GSKT 410ss - BAND
9	CONNX NUT	CAST BRASS ALLOY ASTM B584



SIZE	ØA	B	C	D	E
3/4	.750	3.621	.840	1.363	2.203
3/4x1	.750	3.855	.840	1.390	2.230
1	1.000	4.648	1.150	1.564	2.714
1-1/2	1.500	5.157	1.500	2.120	3.620
1-1/2x2	1.500	5.133	1.500	2.235	3.735
2	2.000	5.612	1.820	2.443	4.263

MEETS ALL REQUIREMENTS OF AWWA C800
 ALL STEMS ARE LEAD FREE BRASS ALLOY C89833/C69300
 ALL WETTED PARTS ARE LEAD FREE BRASS ALLOY C89833/C87850
 ALL NON WETTED PARTS ARE BRASS ALLOY C83600/C87850

DRFTR	AD	03/08/23	MUELLER	
CHKR				
ENGR			UNLESS OTHERWISE NOTED SURFACE PREPARATION: BREAK CORNER(S) ---- .000 SURFACE FINISH -- XX RMS TOLERANCE(S): LINEAR ----- ± .000 ANGULAR ----- ± 0°00'	THIRD ANGLE PROJECTION
MGR				REF. No.
	BY	DATE		NONE
STK No:				
MAT'L:				
DESCR.			BALL CORPORATION VALVE ("AWWA IP" x 110 CTS)	
			DWG NUMBER B25028N	

DWG NUMBER
 B25028N

TITLE TO AND OWNERSHIP OF THIS ENGINEERING
 DATA REMAINS IN Mueller Co. NO USE IS TO BE
 MADE OF THIS DATA EXCEPT AS SPECIFICALLY
 AUTHORIZED BY Mueller Co. ASSENT ON THE PART
 OF THE RECIPIENT TO THESE CONDITIONS IS PRESUMED