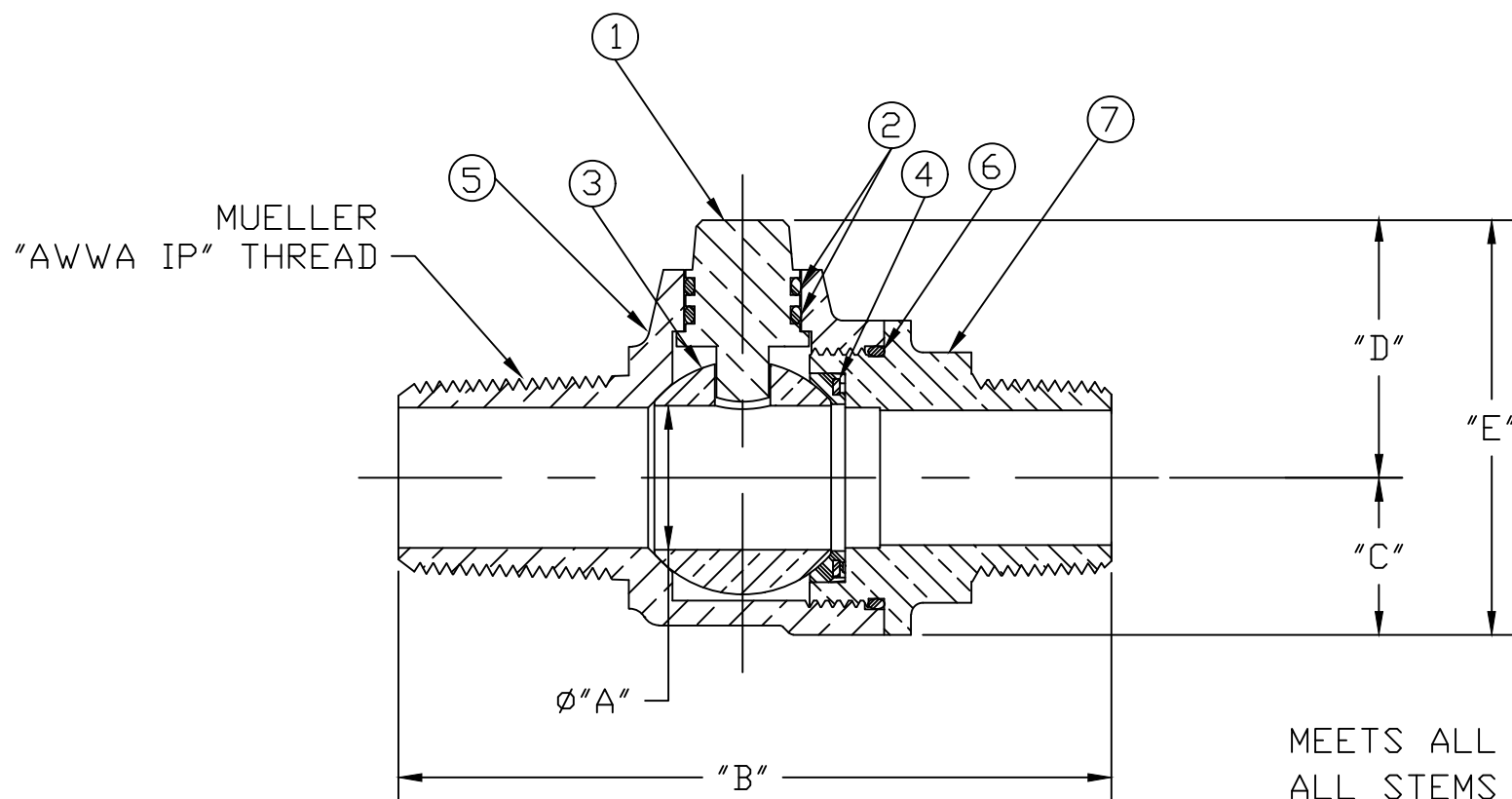


No.	QTY.	DESCRIPTION	MATERIAL
1	1	STEM	LEAD FREE BRASS ALLOY ASTM B584/B371
2	2	O-RING	EPDM D2000
3	1	BALL	LEAD FREE BRASS ALLOY ASTM B584
4	1	GASKET - SEAL	EPDM D2000
5	1	BODY	CAST BRASS ALLOY ASTM B584
6	1	O-RING	EPDM D2000
7	1	END PIECE	CAST BRASS ALLOY ASTM B584



SIZE	ØA	B	C	D	E
1-1/2"	1.500	5.829	1.500	2.235	3.735
2"	2.000	6.404	1.820	2.557	4.377

MEETS ALL REQUIREMENTS OF AWWA C800
 ALL STEMS ARE LEAD FREE BRASS ALLOY C89833/C69300
 ALL WETTED PARTS ARE LEAD FREE BRASS ALLOY C89833/C87850
 ALL NON WETTED PARTS ARE BRASS ALLOY C83600/C87850

DWG NUMBER
B2969N

TITLE TO AND OWNERSHIP OF THIS ENGINEERING DATA REMAINS IN Mueller Co. NO USE IS TO BE MADE OF THIS DATA EXCEPT AS SPECIFICALLY AUTHORIZED BY Mueller Co. ASSENT ON THE PART OF THE RECIPIENT TO THESE CONDITIONS IS PRESUMED

DRFTR	AD	03/07/23	MUELLER		
CHKR					
ENGR			UNLESS OTHERWISE NOTED SURFACE PREPARATION: BREAK CORNER(S) ---- .000 SURFACE FINISH -- 000 RMS	THIRD ANGLE PROJECTION	
MGR				REF. No.	SCALE
	BY	DATE	TOLERANCE(S): LINEAR ----- ± .000 ANGULAR ----- ± 0°00'		NONE
STK No:			MAT'L:		
DESCR.			MUELLER CORP. STOP BALL VALVE ("AWWA IP" x MIP)		
			DWG NUMBER B2969N		