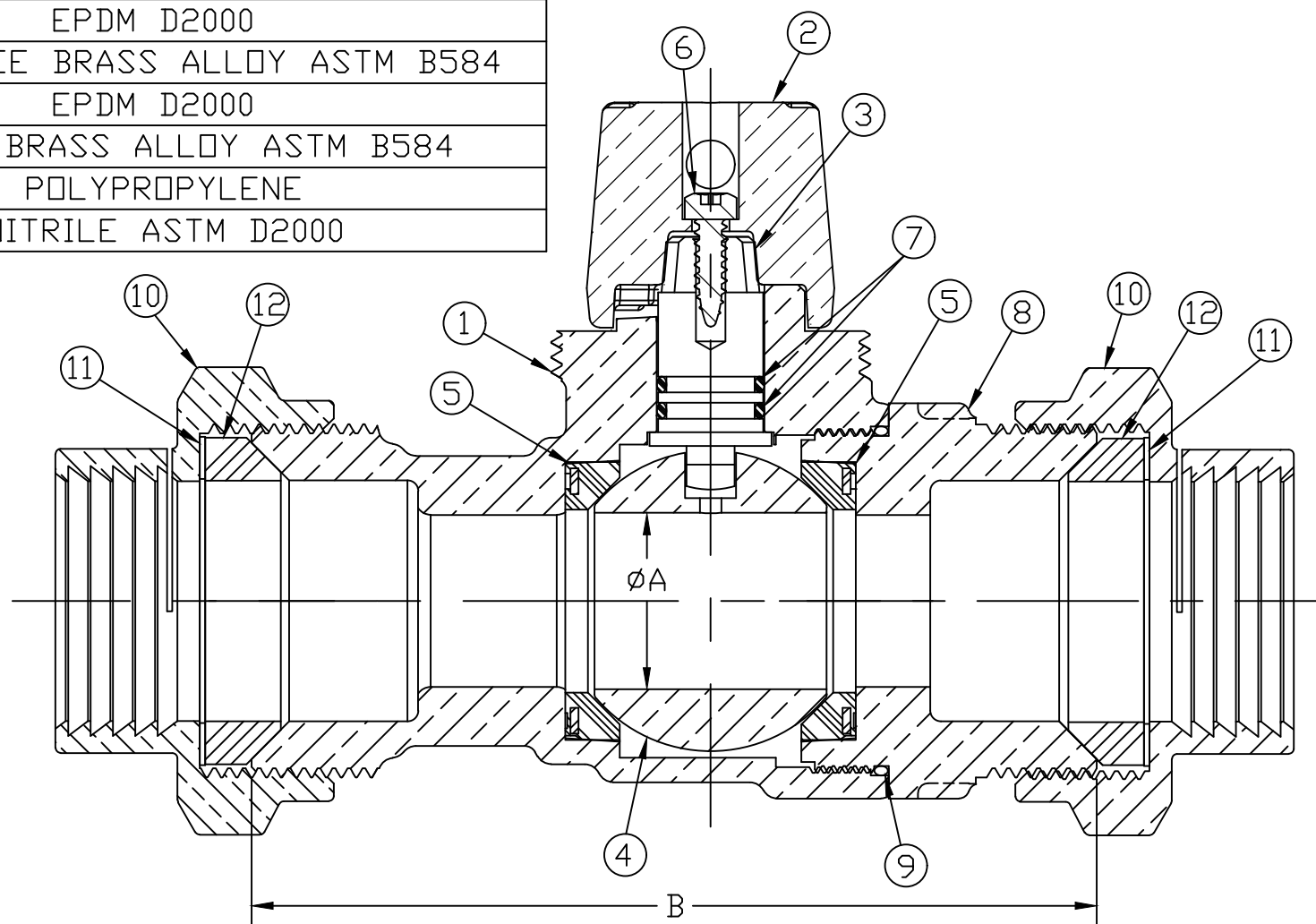
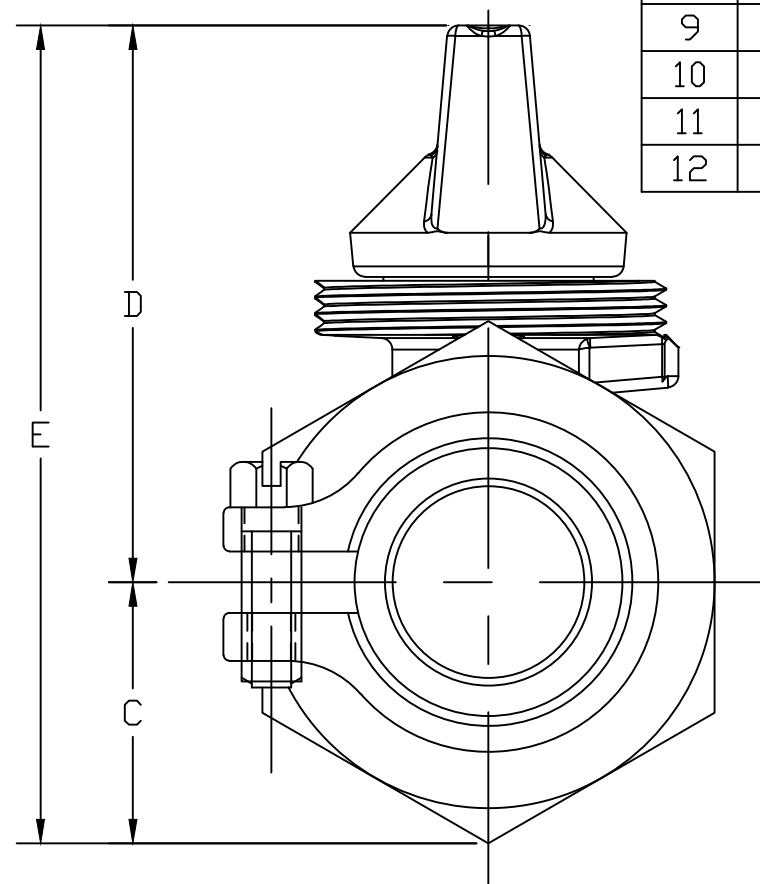


| No. | DESCRIPTION | MATERIAL DESCRIPTION                 |
|-----|-------------|--------------------------------------|
| 1   | BODY        | LEAD FREE BRASS ALLOY ASTM B584      |
| 2   | CAP         | CAST BRASS ALLOY ASTM B584           |
| 3   | STEM        | LEAD FREE BRASS ALLOY ASTM B584/B371 |
| 4   | BALL        | LEAD FREE BRASS ALLOY ASTM B584      |
| 5   | GASKET      | EPDM D2000                           |
| 6   | SCREW       | 18-8 STAINLESS STEEL                 |
| 7   | O-RING      | EPDM D2000                           |
| 8   | END PIECE   | LEAD FREE BRASS ALLOY ASTM B584      |
| 9   | O-RING      | EPDM D2000                           |
| 10  | COUP. NUT   | CAST BRASS ALLOY ASTM B584           |
| 11  | WASHER      | POLYPROPYLENE                        |
| 12  | GASKET      | NITRILE ASTM D2000                   |



| SIZE   | $\phi A$ | B    | C    | D    | E    |
|--------|----------|------|------|------|------|
| 1"     | 1.00     | 4.92 | 1.36 | 2.90 | 4.26 |
| 1-1/2" | 1.50     | 5.50 | 1.66 | 3.34 | 5.00 |
| 2"     | 2.00     | 6.57 | 1.82 | 3.70 | 5.52 |

MEETS ALL REQUIREMENTS OF AWWA C800  
 ALL STEMS ARE LEAD FREE BRASS ALLOY C89833/C69300  
 ALL WETTED PARTS ARE LEAD FREE BRASS ALLOY C89833/C87850  
 ALL NON WETTED PARTS ARE BRASS ALLOY C83600/C87850

|         |  |          |   |   |
|---------|--|----------|---|---|
| DRFTR   | AD   | 03/10/23 | <b>MUELLER</b>  |   |
| CHKR    |  |          |   |   |
| ENGR    |  |          | UNLESS OTHERWISE NOTED<br>SURFACE PREPARATION:<br>BREAK CORNER(S) ---- .000<br>SURFACE FINISH --XXX RMS | THIRD ANGLE PROJECTION  |
| MGR     |  |          |   | TOLERANCE(S):<br>LINEAR ----- ± .000<br>ANGULAR ----- ± 0°00' |
|         | BY   | DATE     |   | SCALE   |
| STK No: |  |          |   | FULL  |
| MAT'L:  |  |          |   |   |
| DESCR.  | INLINE MINN TOP BALL CURB VALVE<br>(IPS-PE PJ x IPS-PE PJ) |          |   | DWG NUMBER<br>E25142N   |

DWG NUMBER  
E25142N

TITLE TO AND OWNERSHIP OF THIS ENGINEERING  
 DATA REMAINS IN Mueller Co. NO USE IS TO BE  
 MADE OF THIS DATA EXCEPT AS SPECIFICALLY  
 AUTHORIZED BY Mueller Co. ASSENT ON THE PART  
 OF THE RECIPIENT TO THESE CONDITIONS IS PRESUMED