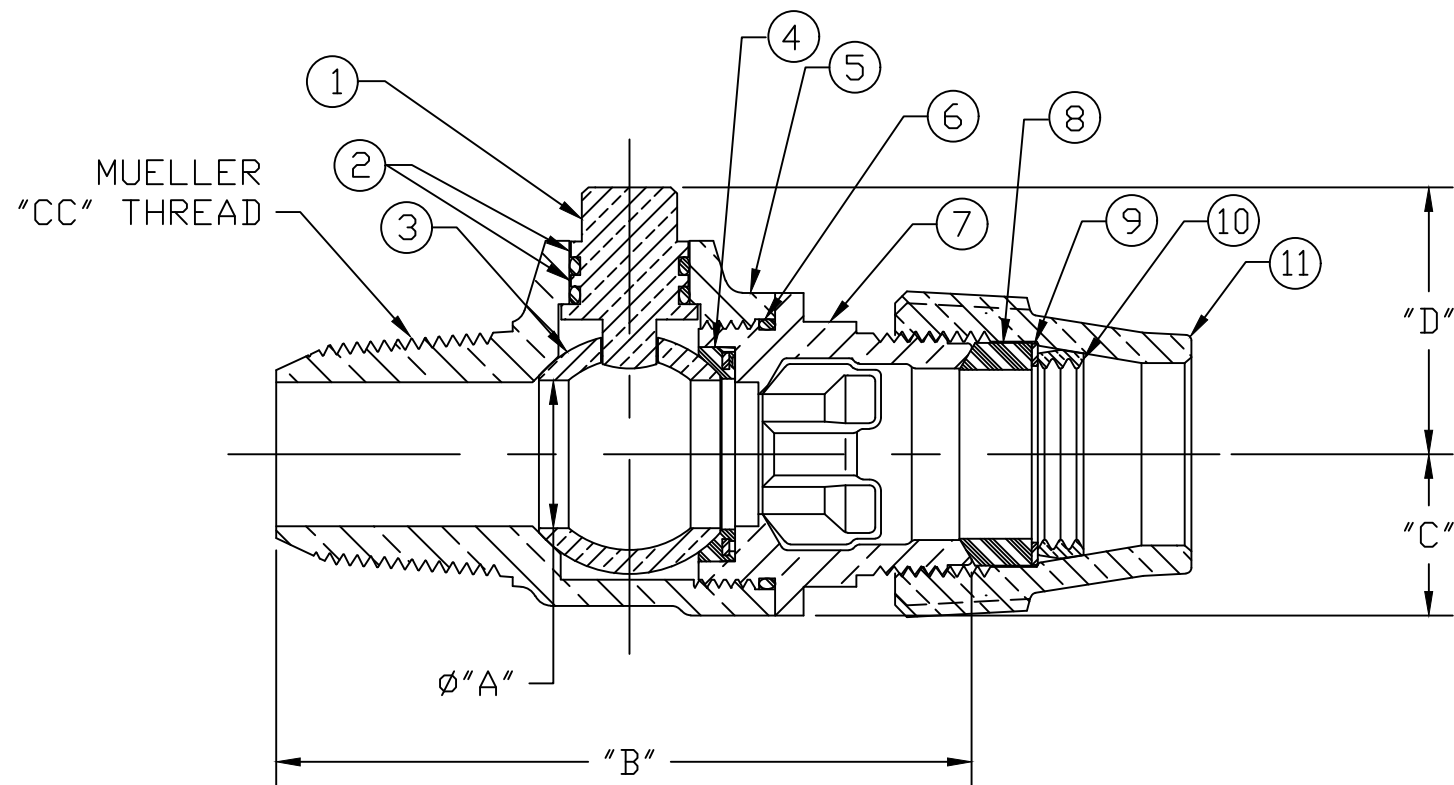


No.	DESCRIPTION	MATERIAL
1	STEM	LEAD FREE BRASS ALLOY ASTM B584/B371
2	O-RING	EPDM D2000
3	BALL	LEAD FREE BRASS ALLOY ASTM B584
4	GASKET - SEAL	EPDM D2000
5	BODY	LEAD FREE BRASS ALLOY ASTM B584
6	O-RING	EPDM D2000
7	END PIECE	LEAD FREE BRASS ALLOY ASTM B584
8	PJ GASKET	BUNA-N ASTM D2000
9	PJ WASHER	POLYPROPYLENE
10	COMPRESSION RING	BRASS ASTM B505 ALLOY C83600
11	COMPRESSION NUT	CAST BRASS ALLOY ASTM B584



SIZE	ØA	B	C	D	E
3/4	.750	3.621	.840	1.363	2.203
3/4x1	.750	3.855	.840	1.390	2.230
1	1.000	4.648	1.150	1.564	2.714
1-1/2	1.500	5.157	1.500	2.120	3.620
1-1/2x2	1.500	5.133	1.500	2.235	3.735
2	2.000	5.612	1.820	2.443	4.263

MEETS ALL REQUIREMENTS OF AWWA C800
 ALL STEMS ARE LEAD FREE BRASS ALLOY C89833/C69300
 ALL WETTED PARTS ARE LEAD FREE BRASS ALLOY C89833/C87850
 ALL NON WETTED PARTS ARE BRASS ALLOY C83600/C87850

DWG NUMBER
G25008N

TITLE TO AND OWNERSHIP OF THIS ENGINEERING
 DATA REMAINS IN Mueller Co. NO USE IS TO BE
 MADE OF THIS DATA EXCEPT AS SPECIFICALLY
 AUTHORIZED BY Mueller Co. ASSENT ON THE PART
 OF THE RECIPIENT TO THESE CONDITIONS IS PRESUMED

DRFTR	JGarvin	10/21/11	MUELLER	
CHKR				
ENGR			UNLESS OTHERWISE NOTED SURFACE PREPARATION: BREAK CORNER(S) ---- .000 SURFACE FINISH -- XX RMS	THIRD ANGLE PROJECTION
MGR				TOLERANCE(S): LINEAR ----- ± .000 ANGULAR ----- ± 0°00'
BY		DATE		SCALE
STK No:				NONE
MAT'L:				
DESCR.	BALL CORPORATION VALVE ("CC" x CTS GRIP)			DWG NUMBER G25008N