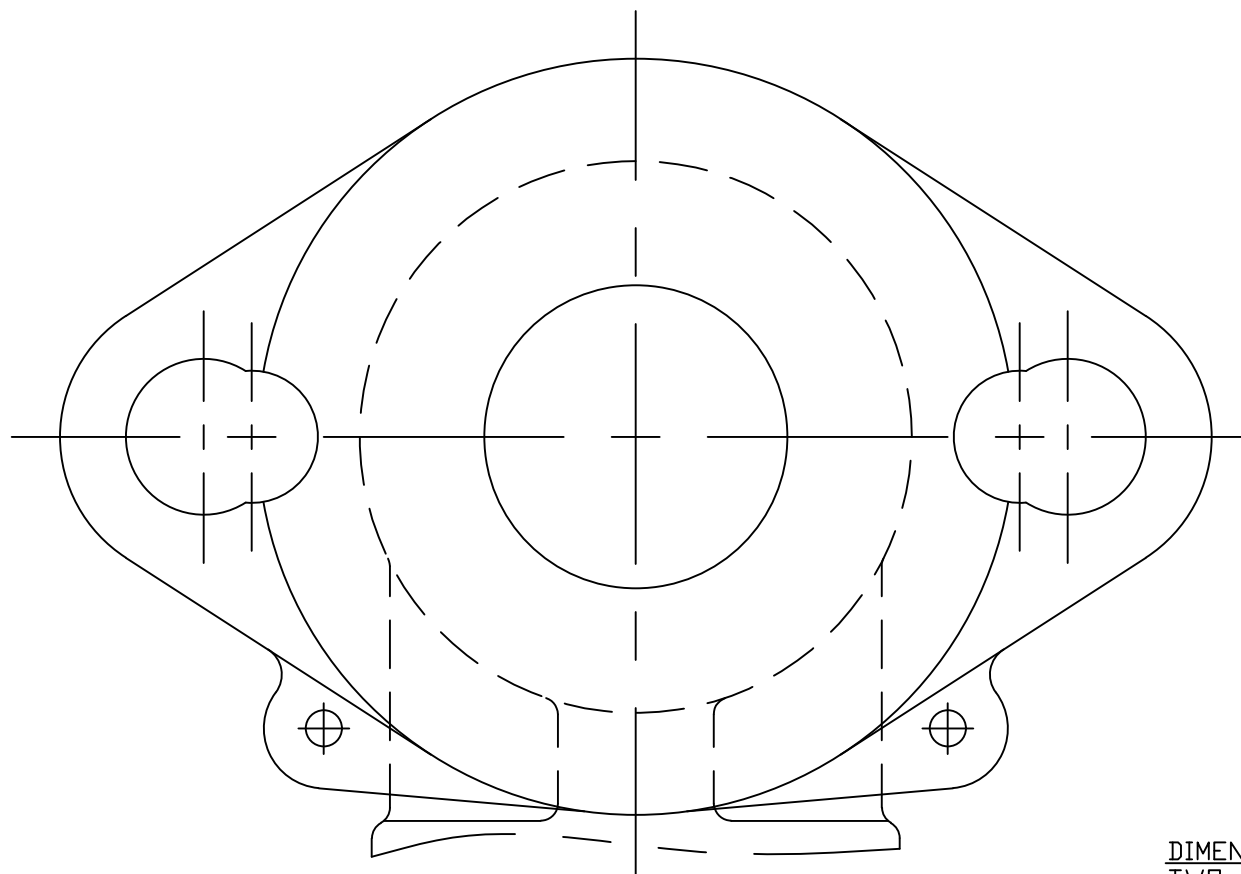
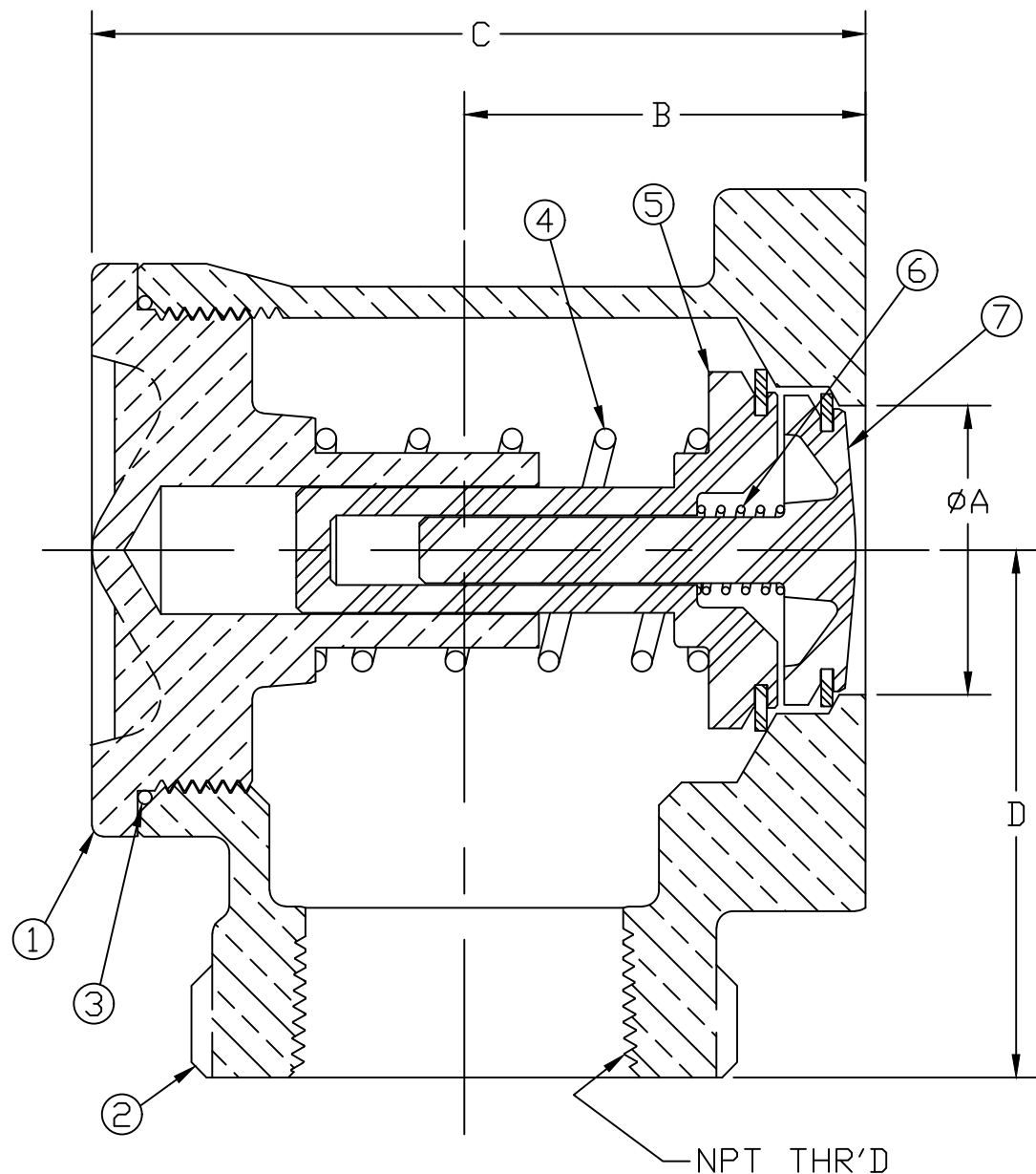


METER CONNX SIZE	A	B	C	D	NPT SIZE
1-1/2"	1.578	2.188	4.219	2.875	1-1/2"
2"	1.578	2.188	4.219	2.875	2"

No.	DESCRIPTION	MATERIAL
1	CAP	LEAD FREE BRASS ALLOY ASTM B584
2	BODY	LEAD FREE BRASS ALLOY ASTM B584
3	O-RING	EPDM D2000
4	SPRING	302 STAINLESS STEEL
5	POPPET ASS'Y	CELCON (M270) EPDM (D2000)
6	SPRING	302 STAINLESS STEEL
7	POPPET ASS'Y	CELCON (M270) EPDM (D2000)



DIMENSIONAL (FOUNDRY) NOTE:
TWO PLACE DECIMALS NEED NO
MACHINING ALLOWANCE REQ'M'TS
THREE PLACE DECIMALS INCLUDE
MACHINING ALLOWANCE REQ'M'TS

DWG NUMBER
H14244NLG

MEETS ALL REQUIREMENTS OF AWWA C800
ALL WETTED PARTS ARE LEAD FREE BRASS ALLOY C89833/C87850
ALL NON WETTED PARTS ARE BRASS ALLOY C83600/C87850

TITLE TO AND OWNERSHIP OF THIS ENGINEERING
DATA REMAINS IN Mueller Co. NO USE IS TO BE
MADE OF THIS DATA EXCEPT AS SPECIFICALLY
AUTHORIZED BY Mueller Co. ASSENT ON THE PART
OF THE RECIPIENT TO THE EXTENT OF THE ORIGINAL DRAWING

DRFTR	JGarvin	6/13/12	MUELLER	
CHKR				
ENGR			UNLESS OTHERWISE NOTED SURFACE PREPARATION: BREAK CORNER(S) ---- .060 SURFACE FINISH -- XX RMS	THIRD ANGLE PROJECTION
MGR				REF. No.
	BY	DATE	TOLERANCE(S): LINEAR ---PER-ENGRNG $\pm .000$ ANGULAR ---PRACTICE $\pm .000X$	FULL
STK No:	MAT'L:			
DESCR.	1-1/2" & 2" ANGLE CHECK VALVE (METER x FIP)			DWG NUMBER H14244NLG