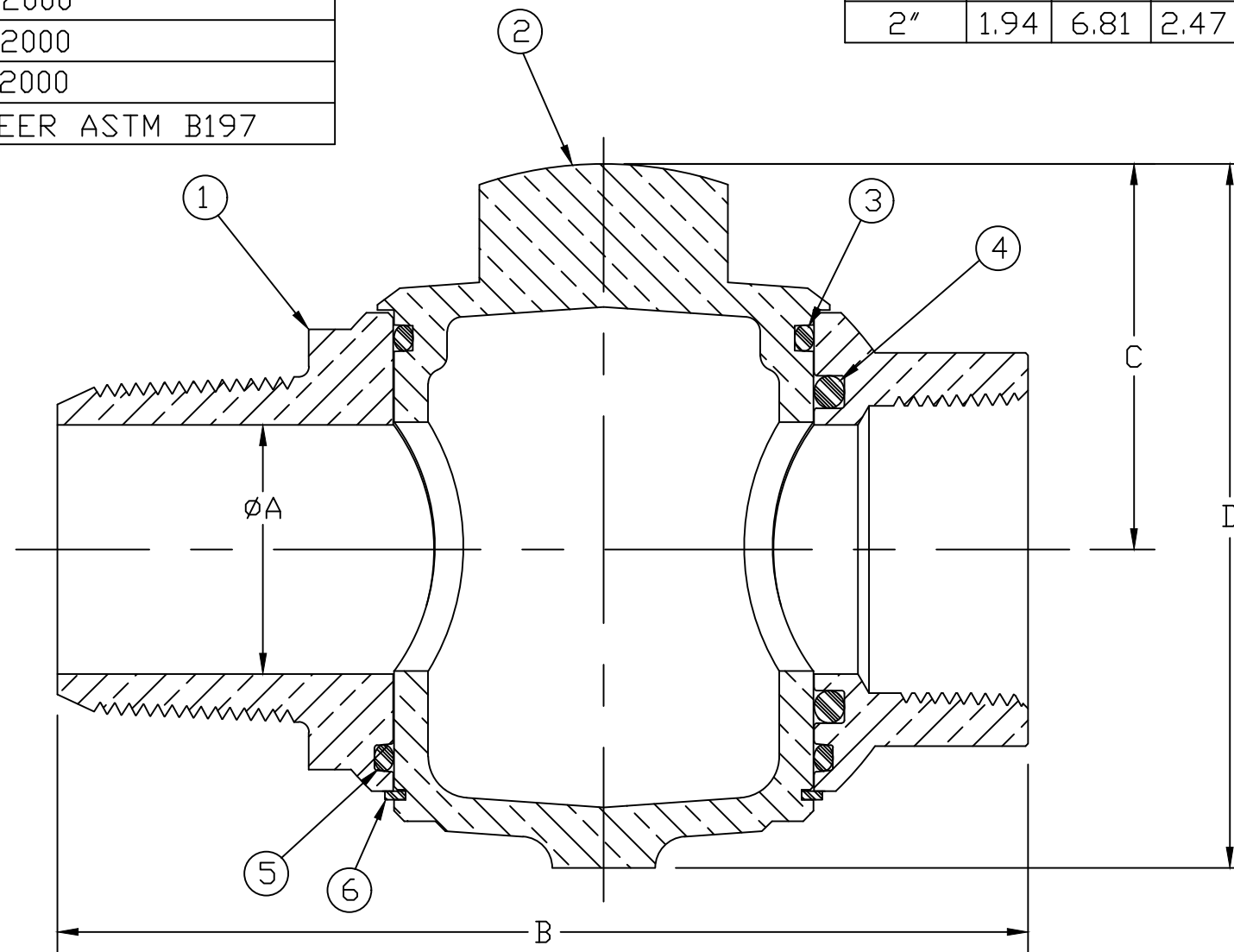


No.	DESCRIPTION	DESCRIPTION
1	BODY	LEAD FREE BRASS ALLOY ASTM B584
2	KEY	LEAD FREE BRASS ALLOY ASTM B584
3	ORING	EPDM D2000
4	ORING	EPDM D2000
5	ORING	EPDM D2000
6	RETAINING RING	BERYLLIUM COPPER ASTM B197

SIZE	ØA	B	C	D	KEY HEAD
1-1/2"	1.50	5.86	2.32	4.25	.56 x 1.50
2"	1.94	6.81	2.47	4.58	.62 x 1.75



MEETS ALL REQUIREMENTS OF AWWA C800
 ALL WETTED PARTS ARE LEAD FREE BRASS ALLOY C89833/C87850
 ALL NON WETTED PARTS ARE BRASS ALLOY C83600/C87850

DRFTR	AD	02/06/23	MUELLER	
CHKR				
ENGR			UNLESS OTHERWISE NOTED SURFACE PREPARATION: BREAK CORNER(S) ----- .000 SURFACE FINISH -- XX RMS	THIRD ANGLE PROJECTION
MGR				TOLERANCE(S): LINEAR ----- ± .000 ANGULAR ----- ± 0°00'
	BY	DATE		SCALE
				FULL
STK No:				
MAT'L:				
DESCR.	ORISEAL CORPORATION VALVE (CC TAPER x FIP)			DWG NUMBER H15014N

TITLE TO AND OWNERSHIP OF THIS ENGINEERING DATA REMAINS IN Mueller Co. NO USE IS TO BE MADE OF THIS DATA EXCEPT AS SPECIFICALLY AUTHORIZED BY Mueller Co. ASSENT ON THE PART OF THE RECIPIENT TO THESE CONDITIONS IS PRESUMED

DWG NUMBER
H15014N