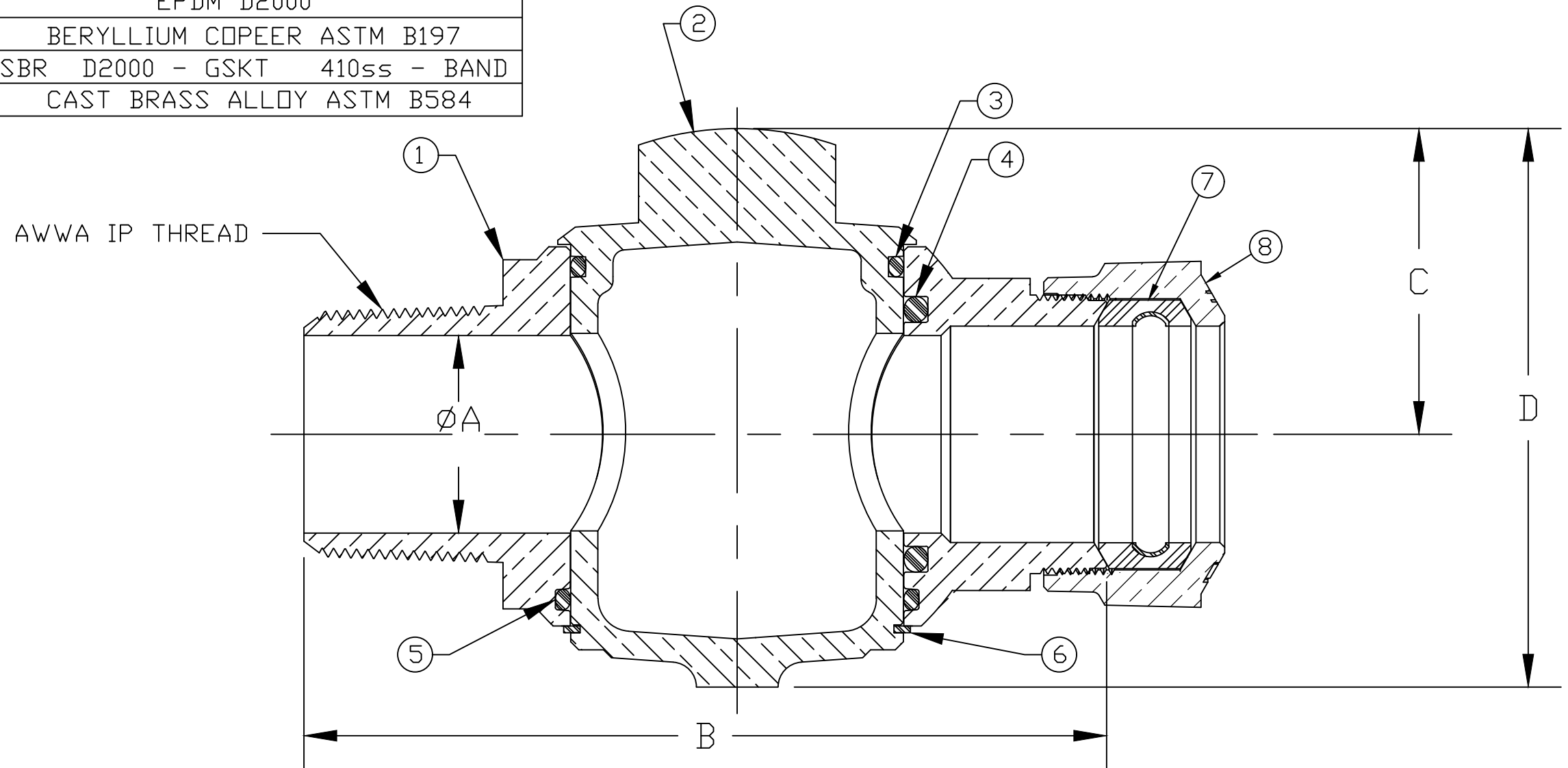


No.	DESCRIPTION	DESCRIPTION
1	BODY	LEAD FREE BRASS ALLOY ASTM B584
2	KEY	LEAD FREE BRASS ALLOY ASTM B584
3	ORING	EPDM D2000
4	ORING	EPDM D2000
5	ORING	EPDM D2000
6	RETAINING RING	BERYLLIUM COPPER ASTM B197
7	CTS GSKT SUB	SBR D2000 - GSKT 410SS - BAND
8	CONNX NUT	CAST BRASS ALLOY ASTM B584

SIZE	ØA	B	C	D	KEY HEAD
1-1/2"	1.50	6.11	2.32	4.25	.56 x 1.50
2"	1.94	7.06	2.47	4.58	.62 x 1.75



MEETS ALL REQUIREMENTS OF AWWA C800
 ALL WETTED PARTS ARE LEAD FREE BRASS ALLOY C89833/C87850
 ALL NON WETTED PARTS ARE BRASS ALLOY C83600/C87850

DRFTR	AD	02/06/23	MUELLER	
CHKR				
ENGR			UNLESS OTHERWISE NOTED SURFACE PREPARATION: BREAK CORNER(S) ----- .000 SURFACE FINISH -- XX RMS	THIRD ANGLE PROJECTION
MGR				TOLERANCE(S): LINEAR ----- ± .000 ANGULAR ----- ± 0°00'
STK No:				
MAT'L:				
DESCR.			ORISEAL CORPORATION VALVE AWWA IP x 110CTS	
			DWG NUMBER H15023N	

TITLE TO AND OWNERSHIP OF THIS ENGINEERING
 DATA REMAINS IN Mueller Co. NO USE IS TO BE
 MADE OF THIS DATA EXCEPT AS SPECIFICALLY
 AUTHORIZED BY Mueller Co. ASSENT ON THE PART
 OF THE RECIPIENT TO THESE CONDITIONS IS PRESUMED

DWG NUMBER
H15023N