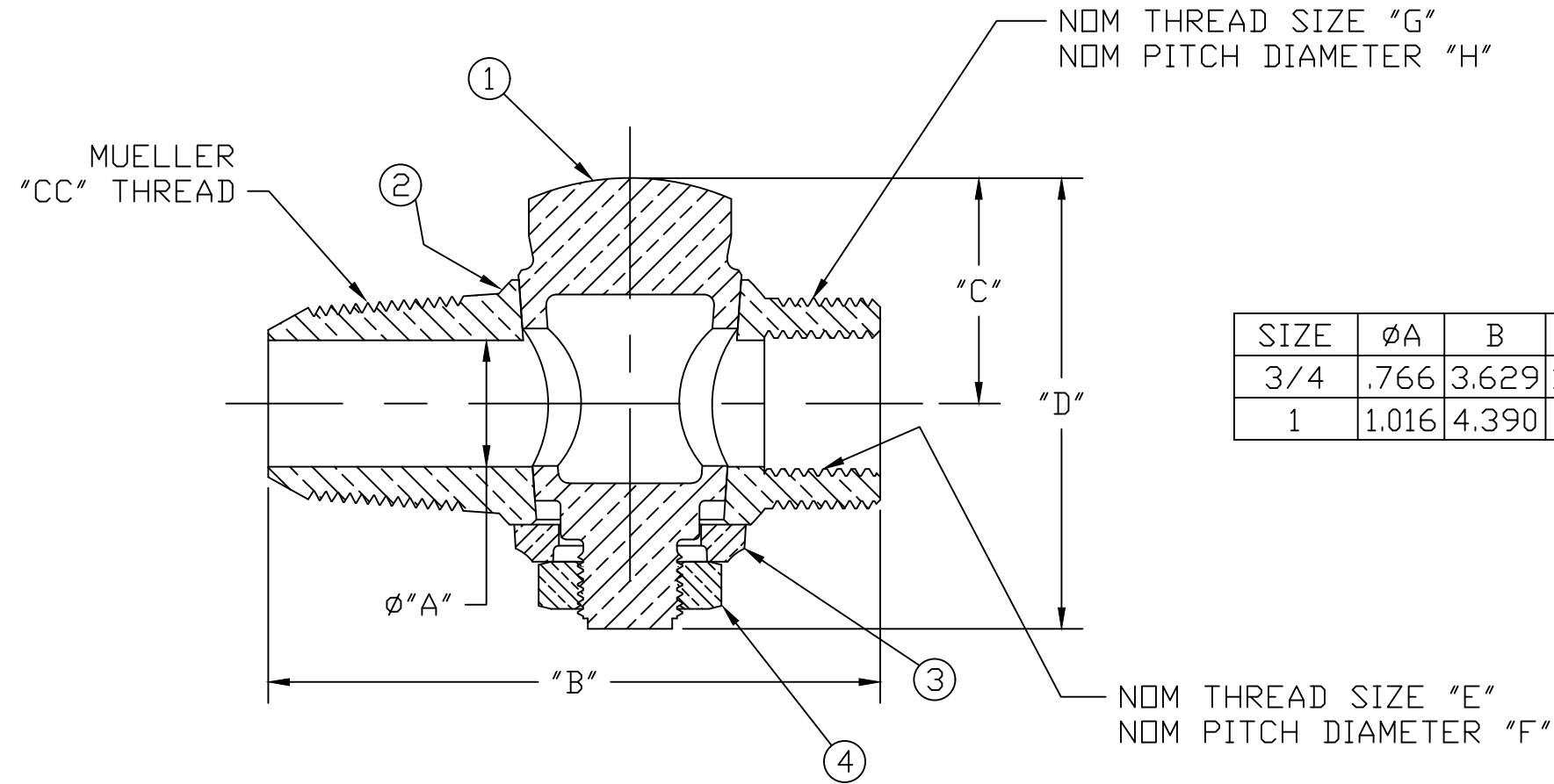


No.	DESCRIPTION	MATERIAL
1	KEY	LEAD FREE BRASS ALLOY ASTM B584
2	BODY	LEAD FREE BRASS ALLOY ASTM B584
3	KEY WASHER	CAST BRASS ALLOY ASTM B584
4	KEY NUT	CAST BRASS ASTM B62 ALLOY C83600



SIZE	ØA	B	C	D	E	F	G	H
3/4	.766	3.629	1.300	2.675	12USF	.806	14USF	1.201
1	1.016	4.390	1.410	2.870	12USF	1.040	12USF	1.443

MEETS ALL REQUIREMENTS OF AWWA C800
 ALL WETTED PARTS ARE LEAD FREE BRASS ALLOY C89833/C87850
 ALL NON WETTED PARTS ARE BRASS ALLOY C83600/C87850

DRFTR	AD	02/02/23	MUELLER	
CHKR				
ENGR			UNLESS OTHERWISE NOTED SURFACE PREPARATION: BREAK CORNER(S) ---- .000 SURFACE FINISH -- XX RMS	THIRD ANGLE PROJECTION
MGR				TOLERANCE(S): LINEAR ----- ± .000 ANGULAR ----- ± 0°00'
STK No:			DESCR. CORPORATION STOP VALVE ("CC" x HM "CC" w/ SCREW PLUG THRD)	
MAT'L:			DWG NUMBER H9991N	

TITLE TO AND OWNERSHIP OF THIS ENGINEERING
 DATA REMAINS IN Mueller Co. NO USE IS TO BE
 MADE OF THIS DATA EXCEPT AS SPECIFICALLY
 AUTHORIZED BY Mueller Co. ASSENT ON THE PART
 OF THE RECIPIENT TO THESE CONDITIONS IS PRESUMED

DWG NUMBER
 H9991N