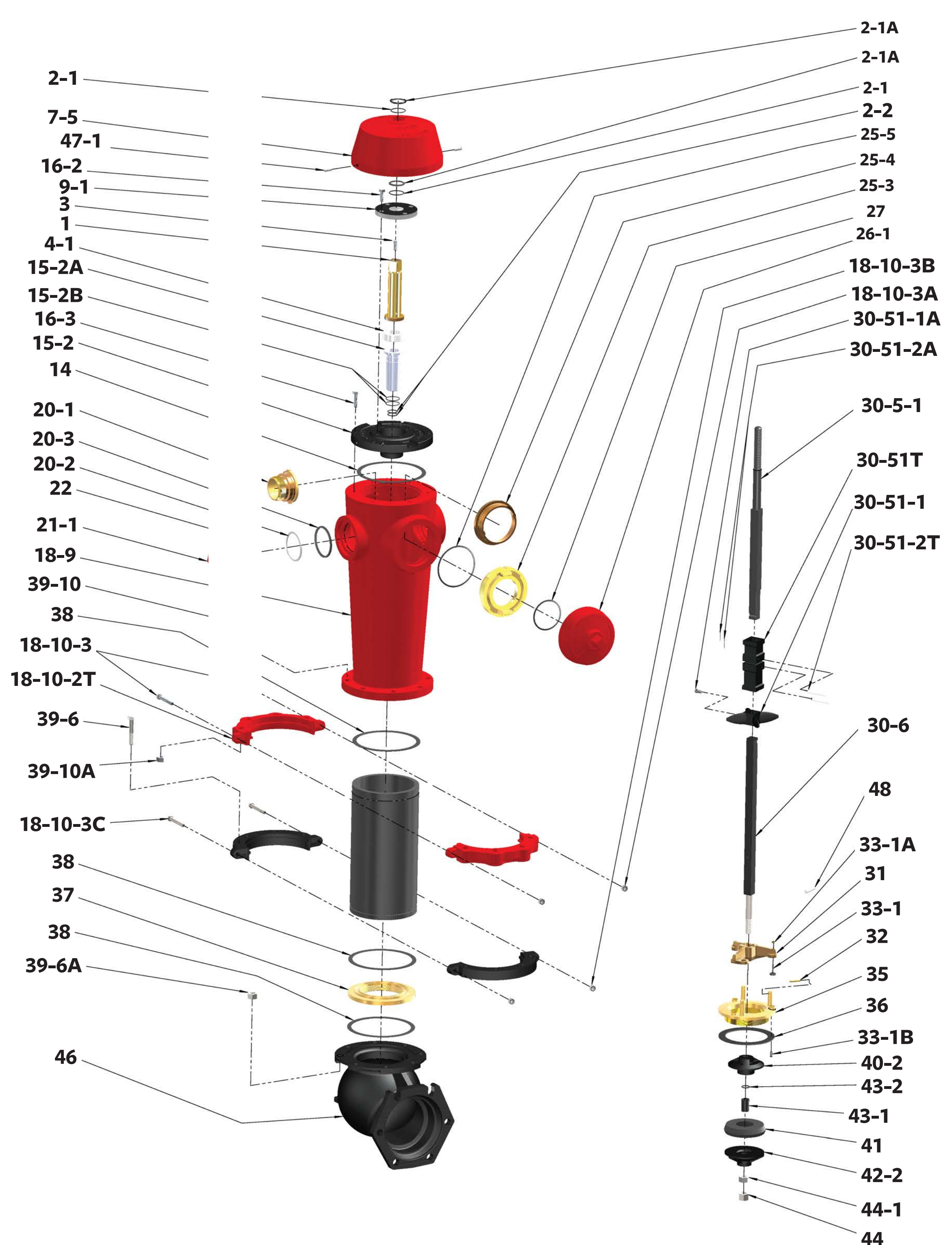
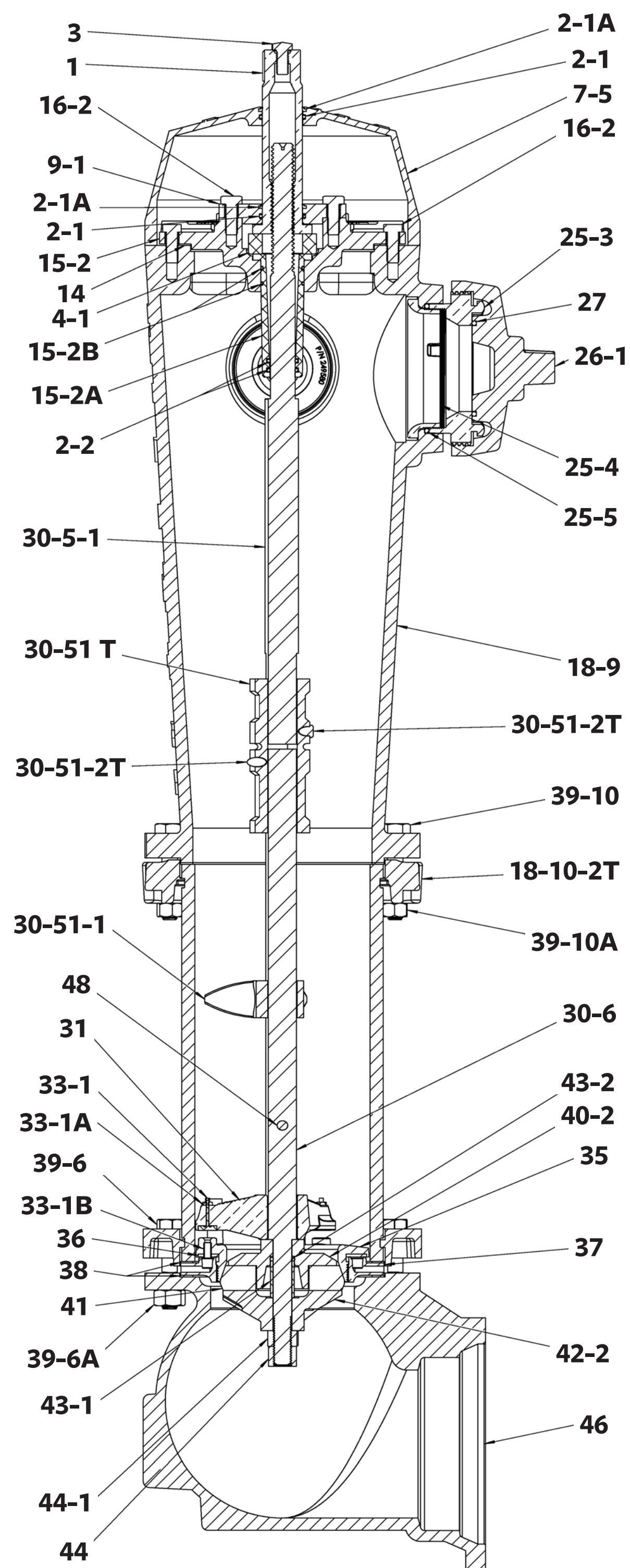




# CENTURY FIRE HYDRANT PARTS

## with E/M (Easy Maintenance) Operating System



CATALOG NUMBER	PART NUMBER	QUANTITY PER	DESCRIPTION
1	****	1	Operating nut (open left or right)
2-1	200001615	2	Bonnet & housing cover O-ring
2-1A	241405	2	Wiper Ring
2-2	194572	2	Stem seal O-ring
3	234427	1	Lubricating screw
4-1	364378	1	Thrust bearing
7-5	****	1	CV hydrant bonnet
9-1	132	1	Bearing housing cover
14	604	1	Bearing housing gasket
15-2	372586	1	Bearing housing
15-2A	372816	1	E/M bearing housing sleeve
15-2B	373130	2	Bearing housing O-ring (#129)
16-2	45314	6	Bearing housing cap screw (short)
16-3	45330	4	Bearing housing cap screw (long)
18-9	240383	1	CV Century Upper Barrel 2 Hose 1 Pumper
18-10-1	255742	1	C.V. lower barrel
18-10-2	281301P	1	CV ductile iron hydrant barrel flange
18-10-2T	306371	1	CV split traffic flange
18-10-3	204072	2	Flange side bolt, ground line
18-10-3A	45934	2	Flange side nut, ground line
18-10-3B	281832	2	304SS flange side nut, below ground
18-10-3C	281824	2	304SS flange side bolt, below ground

CATALOG NUMBER	PART NUMBER	QUANTITY PER	DESCRIPTION
20-1	****	2	304SS Flange Side Bolt, below ground
20-2	258784	2	Hose nozzle retaining ring
20-3	258792	2	Hose nozzle gasket
21-1	****	2	Hose nozzle cap
22	****	2	Hose nozzle cap gasket
25-3	322628	1	Pumper nozzle
25-4	303364	1	Pumper nozzle retainer
25-5	195956	1	Pumper nozzle O-ring (#352)
26-1	****	1	Pumper cap
27	****	1	Pumper cap O-ring or gasket
30-5-1	****	1	Upper rod - (O/L or OR)
30-51T	282383	1	CV fire hydrant breakable rod coupling
30-51-1	218219D	1	CV hydrant rod guide
30-51-1A	47155	1	Rod guide set screw
30-51-2T	305456	2	Coupling clevis pin
30-51-2A	195235	2	Coupling cotter pin
30-6	****	1	Lower rod
31	217670	1	Drip lever
32	47414	3	Drip lever cotter pin
33-1	574	3	Drip lever washer
33-1A	247774	3	Drip washer retainer/hex nut
33-1B	345	3	Hydrant seat drain tube
35	213	1	CV 4.5" hydrant seat

CATALOG NUMBER	PART NUMBER	QUANTITY PER	DESCRIPTION
36	280	1	CV hydrant seat gasket 4.5"
37	388	1	CV 4.5" drain ring
38	000612	3	Barrel and base gasket
39-6	234451-1	8	304SS base flange bolt
39-6A	195048	8	304SS base flange nut
39-10	321826	8	Grade 2 ground flange bolt
39-10A	190939	8	Grade 2 ground flange nut
40-2	450	1	Valve ball top
41	515	1	CV hydrant valve
42-2	485	1	Valve ball bottom, 4.5" CV hydrant
43-1	294403	1	CV hydrant valve ball top plastic sleeve
43-2	41301	1	Valve sleeve O-ring (#210)
44	142955	1	304SS 3/4"-10 hex nut
44-1	376821	1	316SS 3/4"-10 hex lock nut
46	****	1	Base (flanged, MJ, or slip on)
47-1	218243	2	Cover restraining knurl pin
48	200001814	1	Stop pin, type E groove, 3/8x2

Parts numbers marked with \*\*\*\* are to be specified by the customer.  
\*30-5-1 quantity varies with trench depth.

For more information about Mueller or to view our full line of water products, please visit [www.muellerwp.com](http://www.muellerwp.com) or call Mueller customer service at 1.800.423.1323.

Mueller refers to one or more of Mueller Water Products, Inc. a Delaware corporation ("MWP"), and its subsidiaries. MWP and each of its subsidiaries are legally separate and independent entities when providing products and services. MWP does not provide products or services to third parties. MWP and each of its subsidiaries are liable only for their own acts and omissions and not those of each other. MWP brands include Mueller®, Echologics®, Hydro Gate®, Hydro-Guard®, HYMAX®, Jones®, Krausz®, Mi-Net®, Milliken®, Pratt®, Sentryx™, Singer®, and U.S. Pipe Valve & Hydrant. Please see [muellerwp.com/brands](http://muellerwp.com/brands) and [krauszusa.com](http://krauszusa.com) to learn more.

©2022 Mueller Water Products, Inc. All Rights Reserved. The trademarks, logos and service marks displayed in this document are the property of Mueller Water Products, Inc., its affiliates or other third parties. Products above marked with a section symbol (§) are subject to patents or patent applications. For details, visit [www.muellerwp.com](http://www.muellerwp.com). These products are intended for use in potable water applications. Please contact your Mueller Sales or Customer Service Representative concerning any other application(s).