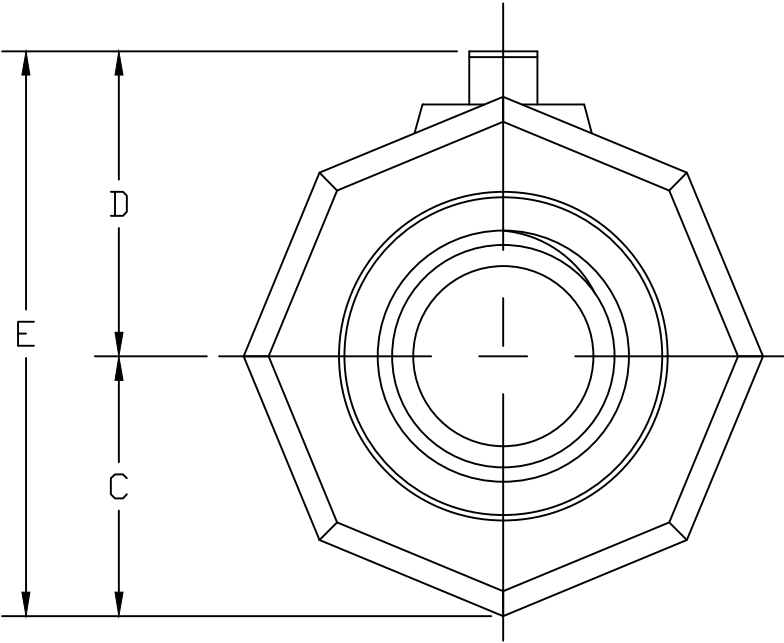
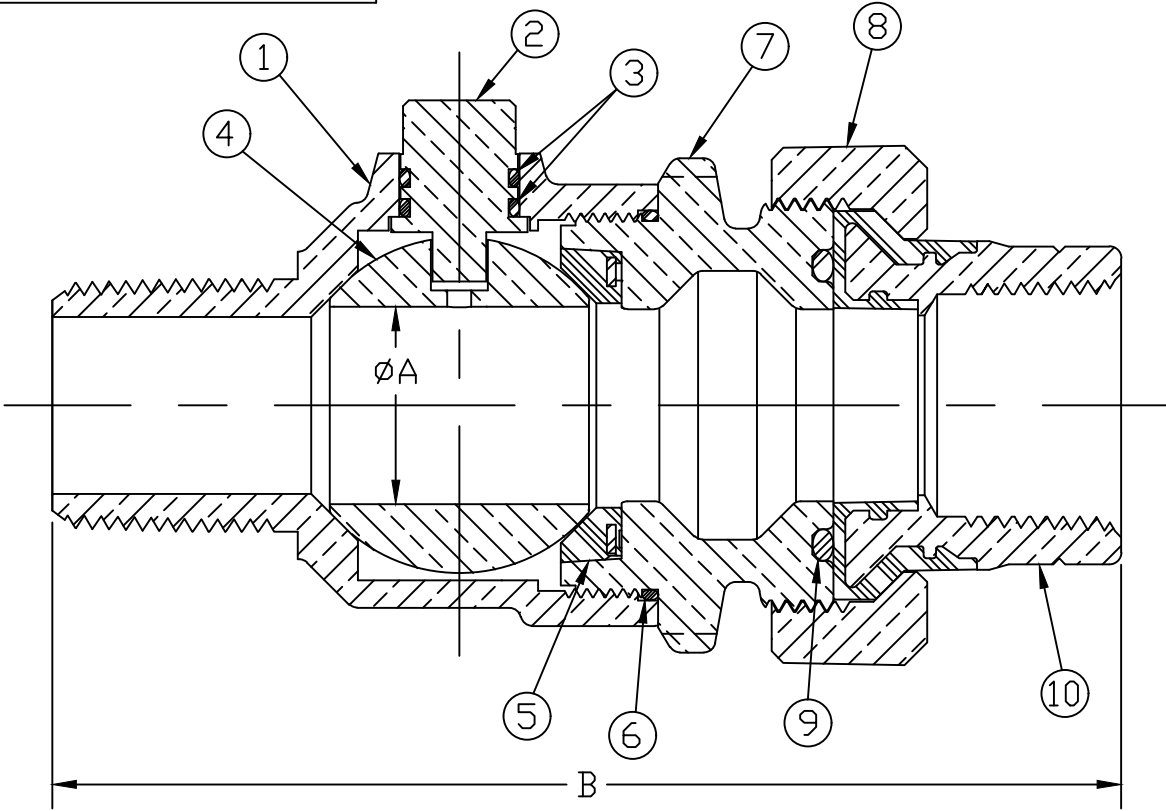


SIZE	ØA	B	C	D	E
1"	1.033/1.023	5.568	1.353	1.590	2.943
2"	2.015/2.005	8.407	2.165	2.558	4.723

No.	DESCRIPTION	REQ'D	MATERIAL
1	BODY	1	LEAD FREE BRASS ALLOY ASTM B584
2	STEM	1	LEAD FREE BRASS ALLOY ASTM B584/B371
3	O-RING	2	EPDM D2000
4	BALL	1	LEAD FREE BRASS ALLOY ASTM B584
5	GASKET	1	EPDM D2000
6	O-RING	1	EPDM D2000
7	END PIECE	1	LEAD FREE BRASS ALLOY ASTM B584
8	COUPLING NUT	1	CAST BRASS ALLOY ASTM B584
9	O-RING	1	EPDM D2000
10	TAIL PIECE	1	LEAD FREE BRASS ALLOY ASTM B584



DWG NUMBER  
N30046N

TITLE TO AND OWNERSHIP OF THIS ENGINEERING DATA REMAINS IN Mueller Co. NO USE IS TO BE MADE OF THIS DATA EXCEPT AS SPECIFICALLY AUTHORIZED BY Mueller Co. ASSENT ON THE PART OF THE RECIPIENT TO THESE CONDITIONS IS PRESUMED

DRFTR	AD	03/09/23	<b>MUELLER</b>		
CHKR					
ENGR			UNLESS OTHERWISE NOTED SURFACE PREPARATION: BREAK CORNER(S) ----- .000 SURFACE FINISH -- 000 RMS	THIRD ANGLE PROJECTION	
MGR				REF. No.	SCALE
	BY	DATE	TOLERANCE(S): LINEAR ----- ± .000 ANGULAR ----- ± 0°00'		NONE
STK No:			DESCR. INSULATED INLINE CORP BALL VALVE ASS'Y		DWG NUMBER N30046N
MAT'L:					