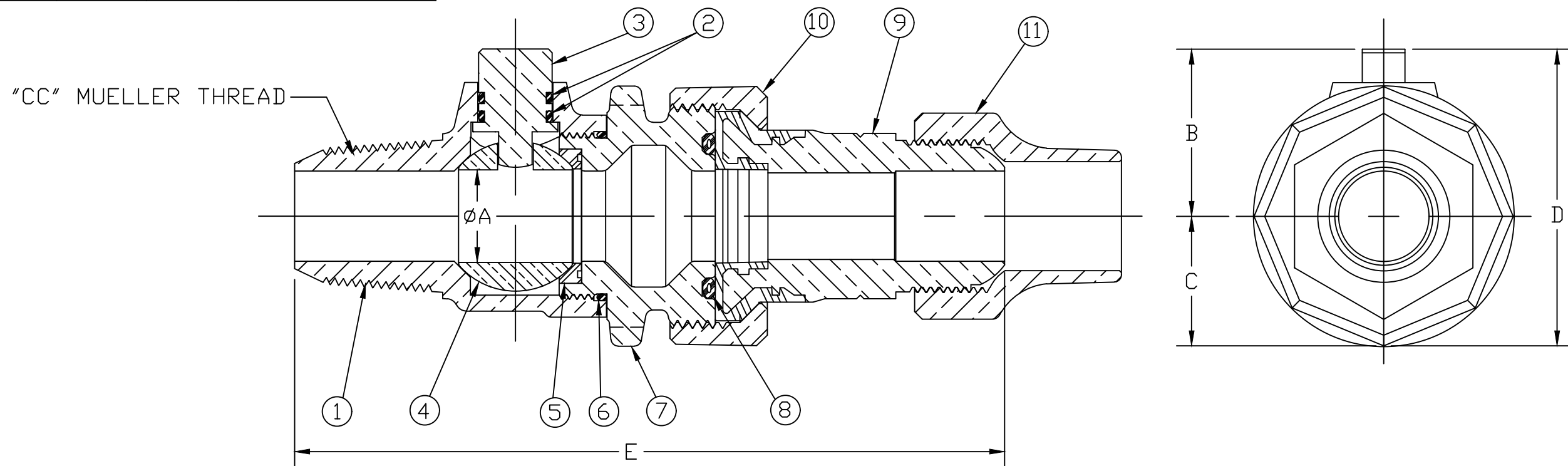


No.	DESCRIPTION	MATERIAL	ASTM	ALLOY OR TYPE
1	BODY	BRASS	B584	LEAD FREE ALLOY
2	O-RING	RUBBER	D-2000	EPDM
3	STEM	BRASS	B584/B371	LEAD FREE ALLOY
4	BALL	BRASS	B584	LEAD FREE ALLOY
5	GASKET	RUBBER	D-2000	EPDM
6	O-RING	RUBBER	D-2000	EPDM
7	END PIECE	BRASS	B584	CAST ALLOY
8	O-RING	RUBBER	D-2000	EPDM
9	INS. TAILPC ASS'Y	BRASS w/ NYLON	B584	CAST ALLOY
10	COUP. NUT	BRASS	B-62	ALLOY C83600
11	TUBE NUT	BRASS	B-62	ALLOY C83600

SIZE	ØA	B	C	D	E
3/4"	.750	1.391	1.150	2.540	5.905
1"	1.000	1.564	1.375	2.939	6.614



MEETS ALL REQUIREMENTS OF AWWA C800
 ALL STEMS ARE LEAD FREE BRASS ALLOY C89833/C69300
 ALL WETTED PARTS ARE LEAD FREE BRASS ALLOY C89833/C87850
 ALL NON WETTED PARTS ARE BRASS ALLOY C83600/C87850

DWG NUMBER
N35000N

DRFTR	AD	03/09/23	MUELLER	
CHKR				
ENGR			UNLESS OTHERWISE NOTED	THIRD ANGLE PROJECTION
MGR				SURFACE PREPARATION: BREAK CORNER(S) ----- .000 SURFACE FINISH -- 000 RMS
	BY	DATE	TOLERANCE(S): LINEAR ----- ± .000 ANGULAR ----- ± 0°00'	SCALE NONE
STK No:				
MAT'L:				
DESCR.			BALL CORP VALVE ASS'Y CC x CS INSULATED UNION	
			DWG NUMBER N35000N	

TITLE TO AND OWNERSHIP OF THIS ENGINEERING
 DATA REMAINS IN Mueller Co. NO USE IS TO BE
 MADE OF THIS DATA EXCEPT AS SPECIFICALLY
 AUTHORIZED BY Mueller Co. ASSENT ON THE PART
 OF THE RECIPIENT TO THESE CONDITIONS IS PRESUMED