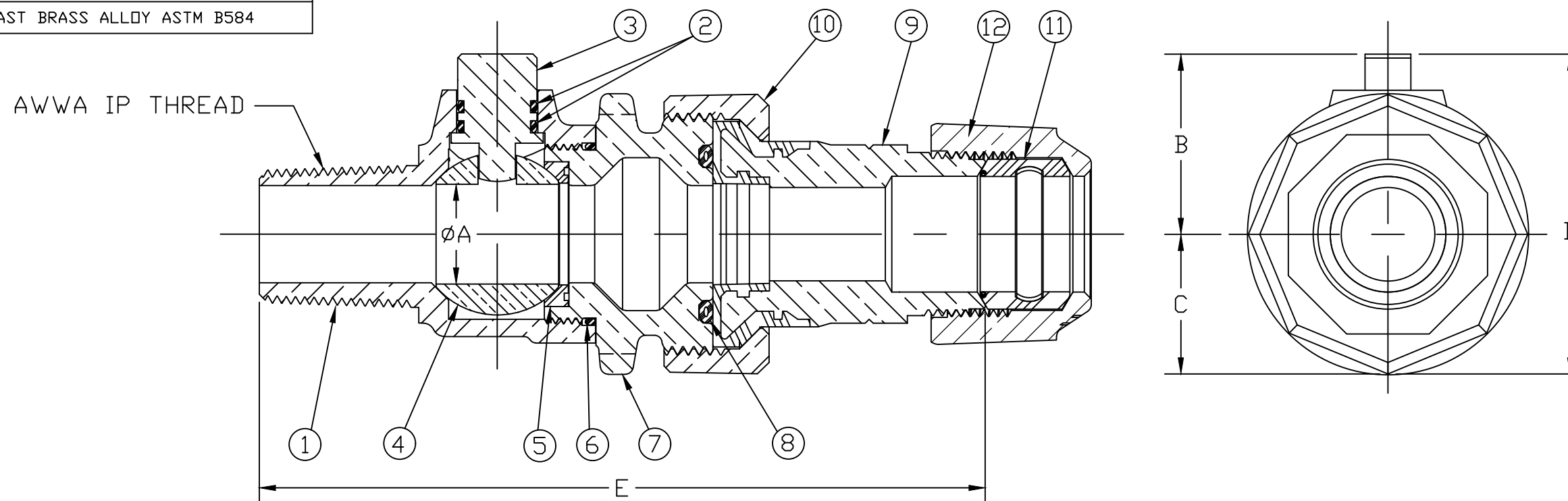


No.	DESCRIPTION	MATERIAL
1	BODY	LEAD FREE BRASS ALLOY ASTM B584
2	O-RING	EPDM D2000
3	STEM	LEAD FREE BRASS ALLOY ASTM B584/B371
4	BALL	LEAD FREE BRASS ALLOY ASTM B584
5	GASKET	EPDM D2000
6	O-RING	EPDM D2000
7	END PIECE	LEAD FREE BRASS ALLOY ASTM B584
8	O-RING	EPDM D2000
9	INS. TAILPC ASS'Y	LEAD FREE BRASS ALLOY ASTM B584 w/ MOLDED NYLON
10	COUP. NUT	CAST BRASS ALLOY ASTM B584
11	CTS GSKT ASSY	SBR RUBBER ASTM D2000
12	CONN NUT	CAST BRASS ALLOY ASTM B584

SIZE	ØA	B	C	D	E
3/4"	.750	1.390	1.078	2.468	5.599
1"	1.000	1.564	1.150	2.714	6.334
2"	2.000	2.558	2.165	4.723	8.988



MEETS ALL REQUIREMENTS OF AWWA C800
 ALL STEMS ARE LEAD FREE BRASS ALLOY C89833/C69300
 ALL WETTED PARTS ARE LEAD FREE BRASS ALLOY C89833/C87850
 ALL NON WETTED PARTS ARE BRASS ALLOY C83600/C87850

DWG NUMBER
N35028N

TITLE TO AND OWNERSHIP OF THIS ENGINEERING
 DATA REMAINS IN Mueller Co. NO USE IS TO BE
 MADE OF THIS DATA EXCEPT AS SPECIFICALLY
 AUTHORIZED BY Mueller Co. ASSENT ON THE PART
 OF THE RECIPIENT TO THESE CONDITIONS IS PRESUMED

DRFTR	AD	03/09/23	MUELLER	
CHKR				
ENGR			UNLESS OTHERWISE NOTED SURFACE PREPARATION: BREAK CORNER(S) ----- .000 SURFACE FINISH -- XX RMS	THIRD ANGLE PROJECTION
MGR				REF. No.
	BY	DATE	TOLERANCE(S): LINEAR ----- ± .000 ANGULAR ----- ± 0°00'	NONE
STK No:				
MAT'L:				
DESCR.			DWG NUMBER	
AWWA IP x 2/3's INSULATED TAILPC 110CTS			N35028N	