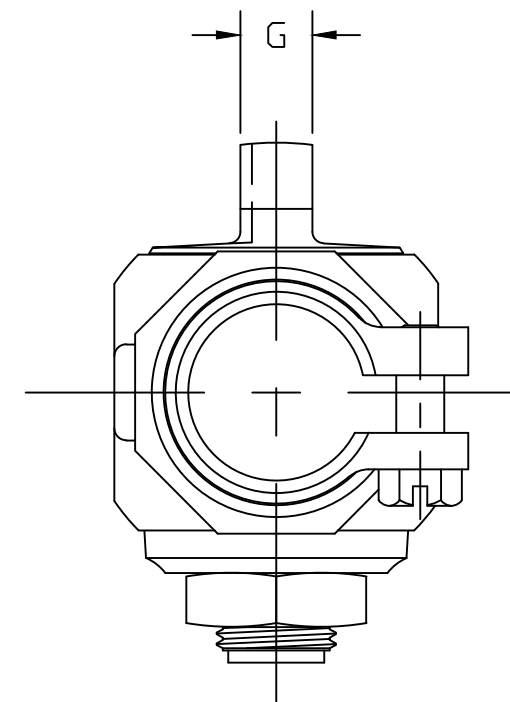
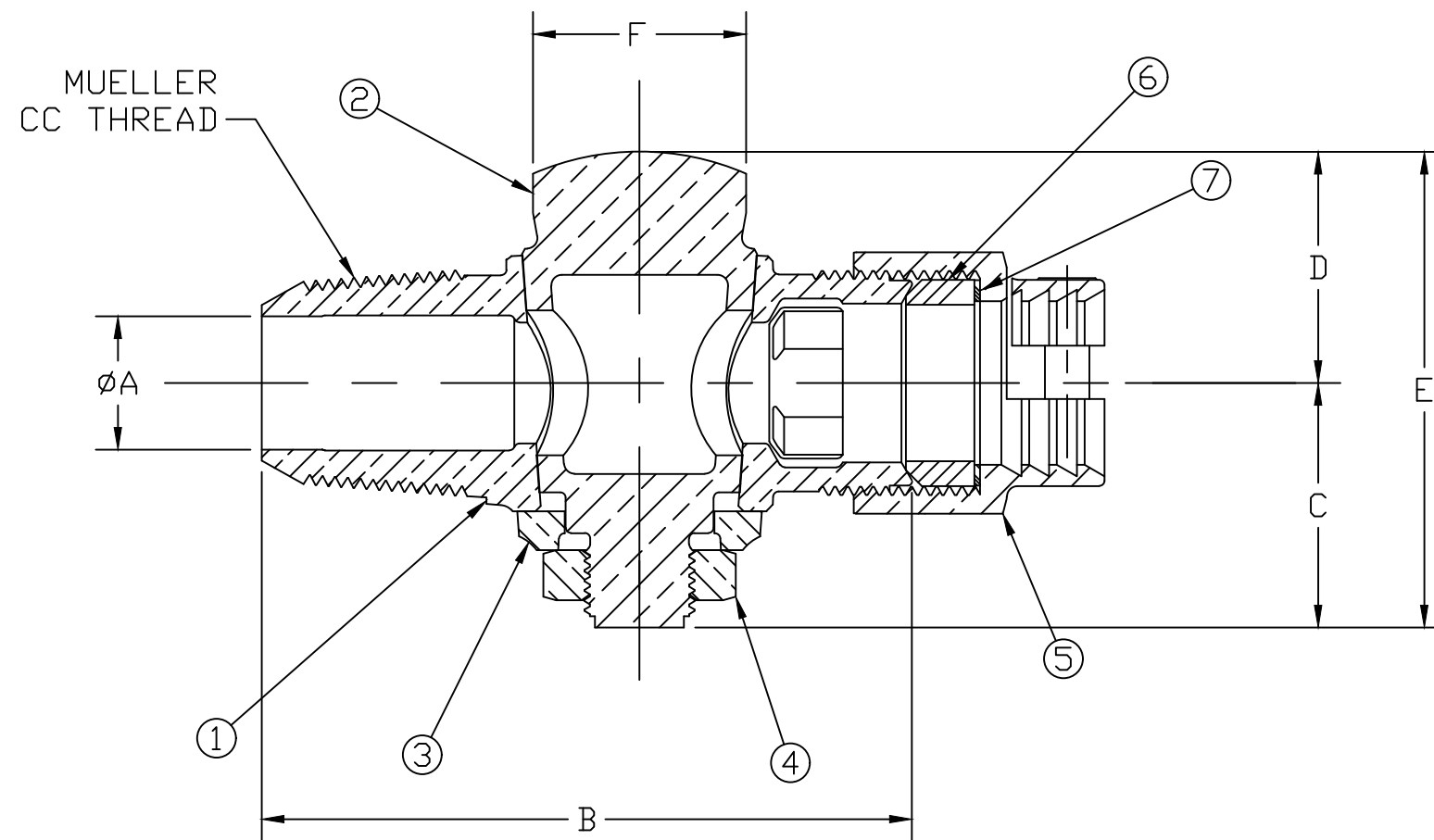


No.	DESCRIPTION	REQ'D	MATERIAL
1	BODY	1	LEAD FREE BRASS ALLOY ASTM B584
2	KEY	1	LEAD FREE BRASS ALLOY ASTM B584
3	KEY WASHER	1	CAST BRASS ALLOY ASTM B584
4	KEY NUT	1	CAST BRASS ASTM B62 ALLOY C83600
5	PJ CPLG NUT	1	CAST BRASS ALLOY ASTM B584
6	PJ GASKET	1	ASTM D2000 NITRILE
7	PJ WASHER	1	POLYPROPYLENE

SIZE	ØA	B	C	D	E	F	G
3/4	.75	3.66	1.38	1.30	2.68	1.20	.38
3/4x1	.75	4.19	1.38	1.30	2.68	1.20	.38
1	.92	4.31	1.46	1.41	2.87	1.48	.38



MEETS ALL REQUIREMENTS OF AWWA C800
 ALL WETTED PARTS ARE LEAD FREE BRASS ALLOY C89833/C87850
 ALL NON WETTED PARTS ARE BRASS ALLOY C83600/C87850

DWG NUMBER
P15008N

TITLE TO AND OWNERSHIP OF THIS ENGINEERING
 DATA REMAINS IN Mueller Co. NO USE IS TO BE
 MADE OF THIS DATA EXCEPT AS SPECIFICALLY
 AUTHORIZED BY Mueller Co. ASSENT ON THE PART
 OF THE RECIPIENT TO THESE CONDITIONS IS PRESUMED

DRFTR	AD	02/03/23	MUELLER	
CHKR				
ENGR			UNLESS OTHERWISE NOTED	THIRD ANGLE PROJECTION
MGR				SURFACE PREPARATION: BREAK CORNER(S) ---- .000 SURFACE FINISH -- 000 RMS
	BY	DATE	TOLERANCE(S): LINEAR ----- ± .000 ANGULAR ----- ± 0°00'	SCALE
STK No:				FULL
MAT'L:				
DESCR.			CORPORATION STOP CC x PJ CTS	DWG NUMBER P15008N