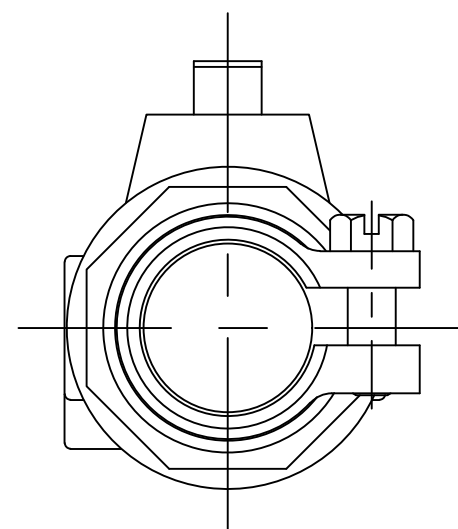
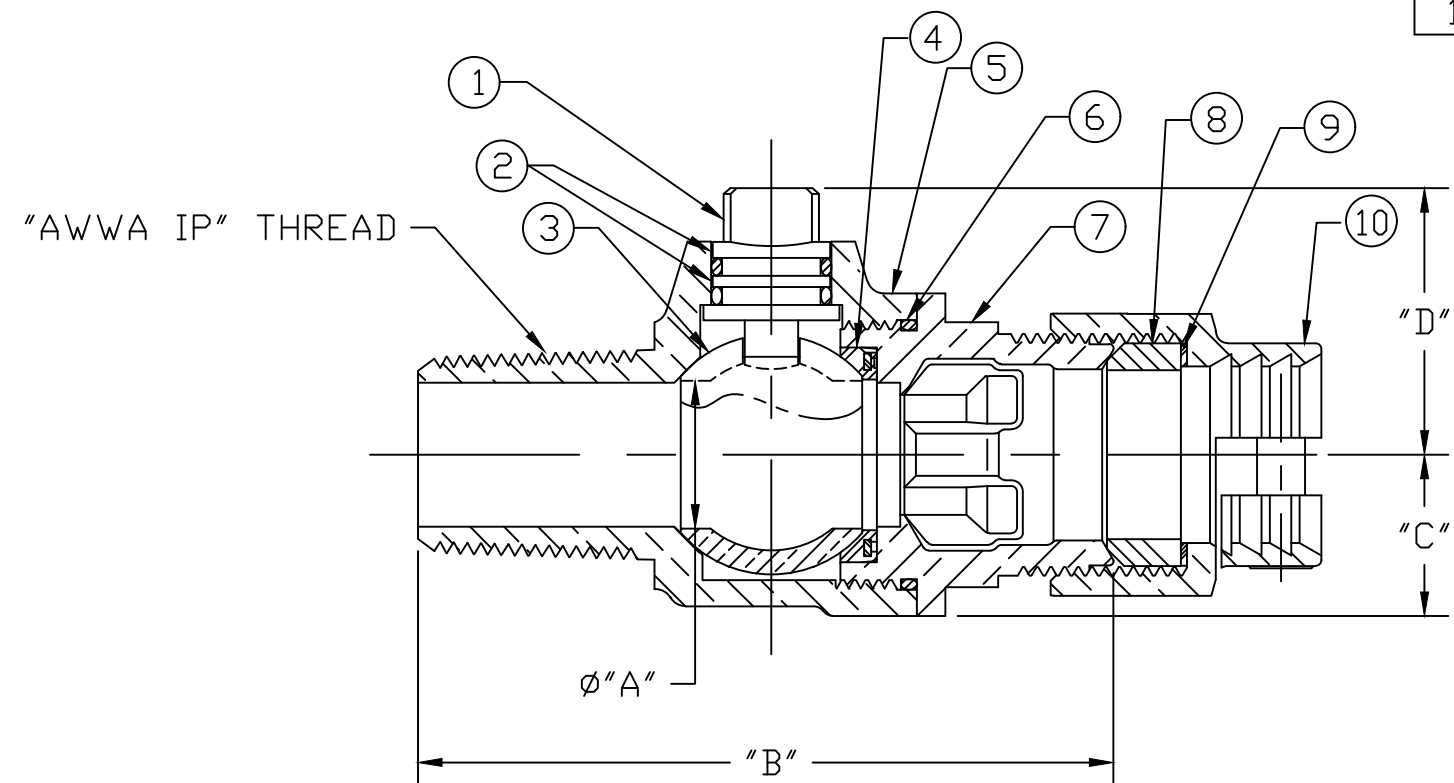


No.	QTY.	DESCRIPTION	MATERIAL
1	1	STEM	LEAD FREE BRASS ALLOY ASTM B584/B371
2	2	O-RING	EPDM D2000
3	1	BALL	LEAD FREE BRASS ALLOY ASTM B584
4	1	GASKET - SEAL	EPDM D2000
5	1	BODY	LEAD FREE BRASS ALLOY ASTM B584
6	1	O-RING	EPDM D2000
7	1	END PIECE	LEAD FREE BRASS ALLOY ASTM B584
8	1	PJ CTS GSKT	BUNA N ASTM D2000
9	1	PJ WASHER	POLYPROPYLENE
10	1	CLPG NUT SUB	CAST BRASS ALLOY ASTM B584



SIZE	ØA	B	C	D
3/4	.75	3.62	.84	1.36
3/4x1	.75	3.86	.84	1.39
1	1.00	4.65	1.15	1.56
1-1/2	1.50	5.16	1.50	2.12
2	2.00	5.61	1.82	2.44

MEETS ALL REQUIREMENTS OF AWWA C800  
 ALL STEMS ARE LEAD FREE BRASS ALLOY C89833/C69300  
 ALL WETTED PARTS ARE LEAD FREE BRASS ALLOY C89833/C87850  
 ALL NON WETTED PARTS ARE BRASS ALLOY C83600/C87850

DRFTR	AD	03/07/23	<b>MUELLER</b>	
CHKR				
ENGR			UNLESS OTHERWISE NOTED SURFACE PREPARATION: BREAK CORNER(S) ---- .000 SURFACE FINISH -- XX RMS	THIRD ANGLE PROJECTION
MGR				TOLERANCE(S): LINEAR ----- ± .000 ANGULAR ----- ± 0°00'
STK No:				
MAT'L:				
DESCR.			CORPORATION STOP BALL VALVE ("AWWA IP" x PJ CTS)	
			DWG NUMBER P25028N	

DWG NUMBER  
 P25028N

TITLE TO AND OWNERSHIP OF THIS ENGINEERING  
 DATA REMAINS IN Mueller Co. NO USE IS TO BE  
 MADE OF THIS DATA EXCEPT AS SPECIFICALLY  
 AUTHORIZED BY Mueller Co. ASSENT ON THE PART  
 OF THE RECIPIENT TO THESE CONDITIONS IS PRESUMED