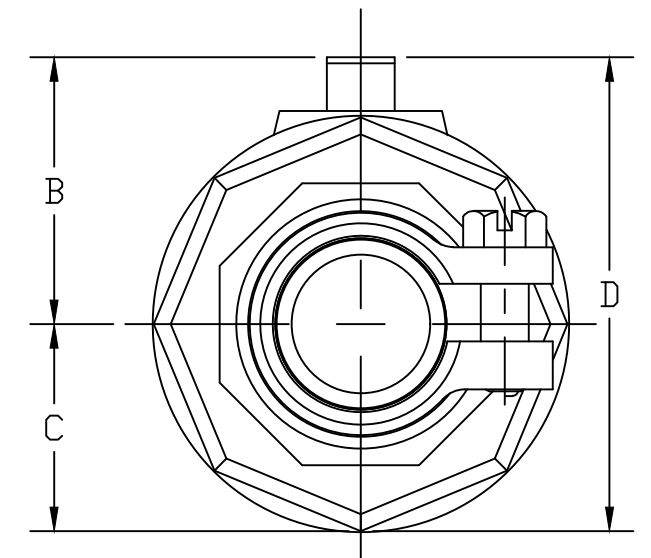
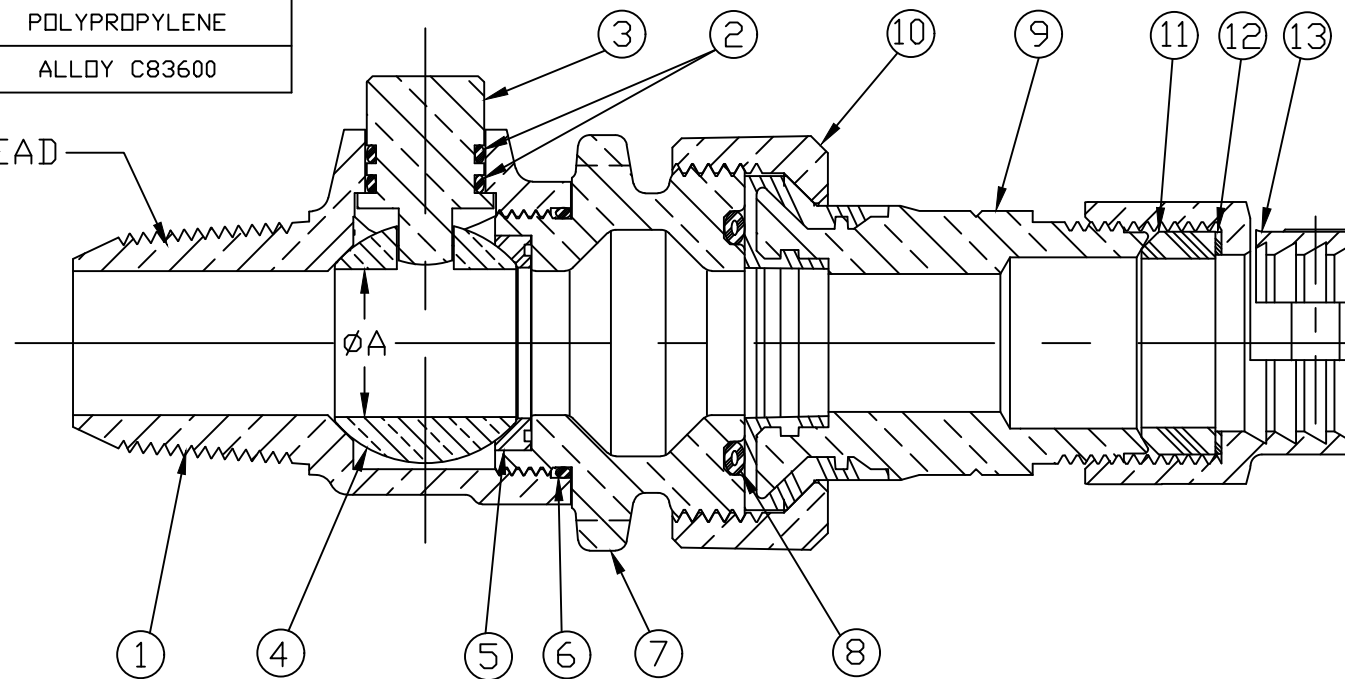


No.	DESCRIPTION	REQ'D	MATERIAL	ASTM	ALLOY OR TYPE
1	BODY	1	BRASS	B584	LEAD FREE ALLOY
2	O-RING	2	RUBBER	D-2000	EPDM
3	STEM	1	BRASS	B584/B371	LEAD FREE ALLOY
4	BALL	1	BRASS	B584	LEAD FREE ALLOY
5	GASKET	1	RUBBER	D-2000	EPDM
6	O-RING	1	RUBBER	D-2000	EPDM
7	END PIECE	1	BRASS	B584	LEAD FREE ALLOY
8	O-RING	1	RUBBER	D-2000	EPDM
9	INS. TAILPC ASS'Y	1	BRASS w/ NYLON	B584	CAST ALLOY
10	COUP. NUT	1	BRASS	B-62	ALLOY C83600
11	PJ GASKET	1	RUBBER	D-2000	BUNA-N
12	PJ WASHER	1	PLASTIC		POLYPROPYLENE
13	CLPG NUT SUB	1	BRASS	B-62	ALLOY C83600

SIZE	ØA	B	C	D	E
3/4"	.750	1.391	1.078	2.469	5.599
1"	1.000	1.591	1.353	2.944	6.334

"CC" MUELLER THREAD



MEETS ALL REQUIREMENTS OF AWWA C800
 ALL STEMS ARE LEAD FREE BRASS ALLOY C89833/C69300
 ALL WETTED PARTS ARE LEAD FREE BRASS ALLOY C89833/C87850
 ALL NON WETTED PARTS ARE BRASS ALLOY C83600/C87850

DWG NUMBER
P35008N

DRFTR	RWB	3/9/23	MUELLER	
CHKR				
ENGR			UNLESS OTHERWISE NOTED SURFACE PREPARATION: BREAK CORNER(S) ----- .000 SURFACE FINISH -- 000 RMS	THIRD ANGLE PROJECTION
MGR				TOLERANCE(S): LINEAR ----- ± .000 ANGULAR ----- ± 0°00'
STK No:				
MAT'L:				
DESCR.			BALL CORP VALVE ASS'Y CC x INSULATED UNION PJ CTS	
			DWG NUMBER P35008N	

TITLE TO AND OWNERSHIP OF THIS ENGINEERING
 DATA REMAINS IN Mueller Co. NO USE IS TO BE
 MADE OF THIS DATA EXCEPT AS SPECIFICALLY
 AUTHORIZED BY Mueller Co. ASSENT ON THE PART
 OF THE RECIPIENT TO THESE CONDITIONS IS PRESUMED