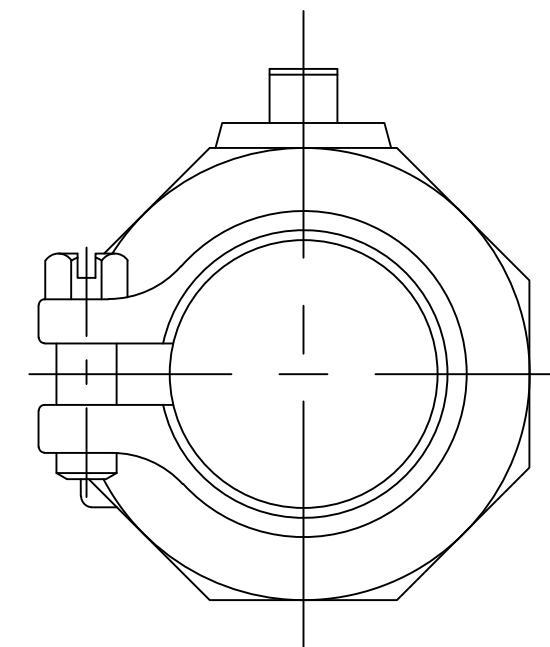
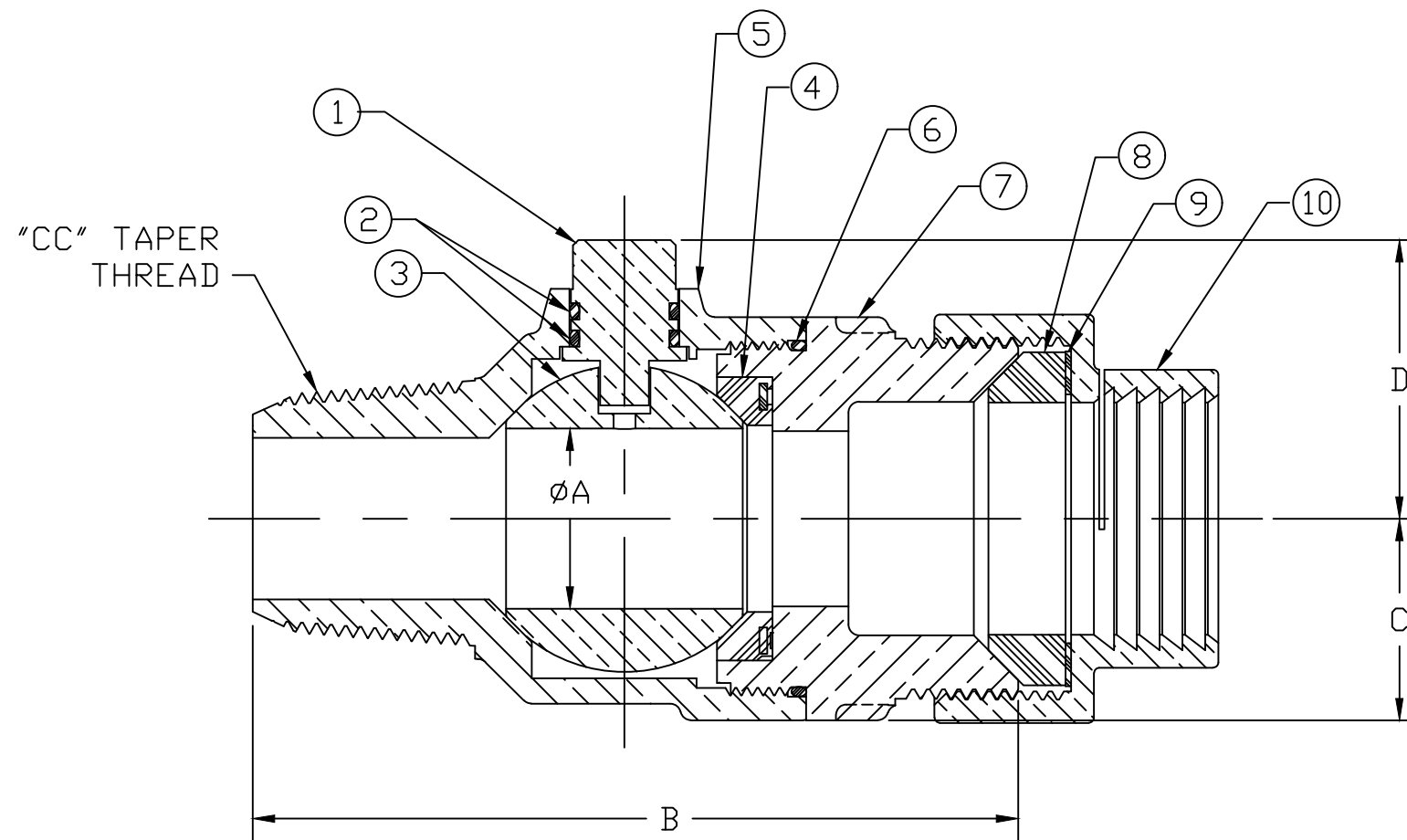


No.	QTY	DESCRIPTION	MATERIAL
1	1	STEM	LEAD FREE BRASS ALLOY ASTM B584/B371
2	1	O-RING	EPDM D2000
3	1	BALL	LEAD FREE BRASS ALLOY ASTM B584
4	1	GASKET - SEAL	EPDM D2000
5	1	BODY	LEAD FREE BRASS ALLOY ASTM B584
6	1	O-RING	EPDM D2000
7	1	END PIECE	LEAD FREE BRASS ALLOY ASTM B584
8	1	COMP GSKT	NITRILE ASTM D2000
9	1	WASHER	POLYPROPYLENE
10	1	CPLG NUT	CAST BRASS ALLOY ASTM B584

SIZE	ØA	B	C	D
1"	1.00	4.37	1.15	1.59
1-1/2"	1.50	5.38	1.50	2.24
2"	2.00	6.15	1.82	2.56



MEETS ALL REQUIREMENTS OF AWWA C800
 ALL STEMS ARE LEAD FREE BRASS ALLOY C89833/C69300
 ALL WETTED PARTS ARE LEAD FREE BRASS ALLOY C89833/C87850
 ALL NON WETTED PARTS ARE BRASS ALLOY C83600/C87850

DWG NUMBER
V25056N

TITLE TO AND OWNERSHIP OF THIS ENGINEERING DATA REMAINS IN Mueller Co. NO USE IS TO BE MADE OF THIS DATA EXCEPT AS SPECIFICALLY AUTHORIZED BY Mueller Co. ASSENT ON THE PART OF THE RECIPIENT TO THESE CONDITIONS IS PRESUMED

DRFTR	AD	03/07/23	MUELLER	
CHKR				
ENGR			UNLESS OTHERWISE NOTED SURFACE PREPARATION: BREAK CORNER(S) ---- .000 SURFACE FINISH -- XX RMS	THIRD ANGLE PROJECTION
MGR				TOLERANCE(S): LINEAR ----- ± .000 ANGULAR ----- ± 0°00'
BY	DATE		STK No:	
MAT'L:			DESCR.	DWG NUMBER
			BALL CORPORATION VALVE (CC TAPER x PJ IPS PVC)	V25056N