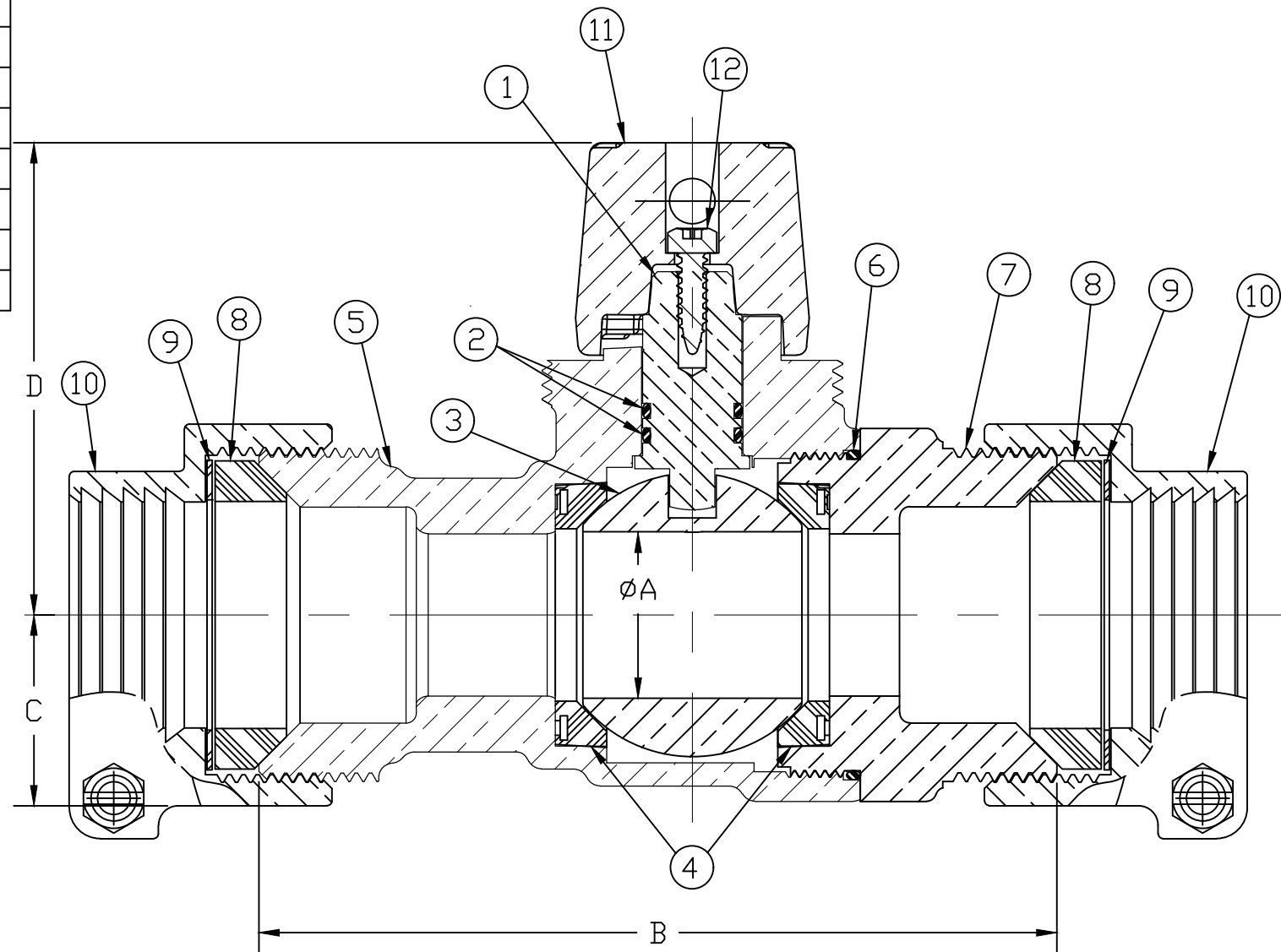


| No. | DESCRIPTION | MATERIAL |
|-----|---------------|--------------------------------------|
| 1 | STEM | LEAD FREE BRASS ALLOY ASTM B584/B371 |
| 2 | O-RING | EPDM D2000 |
| 3 | BALL | LEAD FREE BRASS ALLOY ASTM B584 |
| 4 | GASKET - SEAL | EPDM D2000 |
| 5 | BODY | LEAD FREE BRASS ALLOY ASTM B584 |
| 6 | O-RING | EPDM D2000 |
| 7 | END PIECE | LEAD FREE BRASS ALLOY ASTM B584 |
| 8 | COMP GSKT | NITRILE ASTM D2000 |
| 9 | WASHER | POLYPROPYLENE |
| 10 | CPLG NUT | CAST BRASS ALLOY ASTM B584 |
| 11 | CAP | CAST BRASS ALLOY ASTM B584 |
| 12 | SCREW | 18-8 STAINLESS STEEL |

| SIZE | ØA | B | C | D |
|--------|-------|-------|-------|-------|
| 1" | 1.000 | 4.918 | 1.178 | 2.829 |
| 1-1/2" | 1.500 | 5.500 | 1.655 | 5.109 |
| 2" | 2.000 | 6.835 | 1.820 | 5.612 |



MEETS ALL REQUIREMENTS OF AWWA C800
 ALL STEMS ARE LEAD FREE BRASS ALLOY C89833/C69300
 ALL WETTED PARTS ARE LEAD FREE BRASS ALLOY C89833/C87850
 ALL NON WETTED PARTS ARE BRASS ALLOY C83600/C87850

| | | | | |
|---------|---|----------|---|---|
| DRFTR | AD | 03/09/23 | MUELLER | |
| CHKR | | | | |
| ENGR | | | UNLESS OTHERWISE NOTED SURFACE PREPARATION: BREAK CORNER(S) ---- .000 SURFACE FINISH -- XX RMS | THIRD ANGLE PROJECTION |
| MGR | | | | TOLERANCE(S): LINEAR ----- ± .000 ANGULAR ----- ± 0°00' |
| BY | DATE | | | SCALE |
| STK No: | | | | |
| MAT'L: | | | | |
| DESCR. | BALL CORPORATION VALVE (PJ IPS PVC x PJ IPS PVC) | | | DWG NUMBER V25109N |

TITLE TO AND OWNERSHIP OF THIS ENGINEERING DATA REMAINS IN Mueller Co. NO USE IS TO BE MADE OF THIS DATA EXCEPT AS SPECIFICALLY AUTHORIZED BY Mueller Co. ASSENT ON THE PART OF THE RECIPIENT TO THESE CONDITIONS IS PRESUMED

DWG NUMBER
V25109N