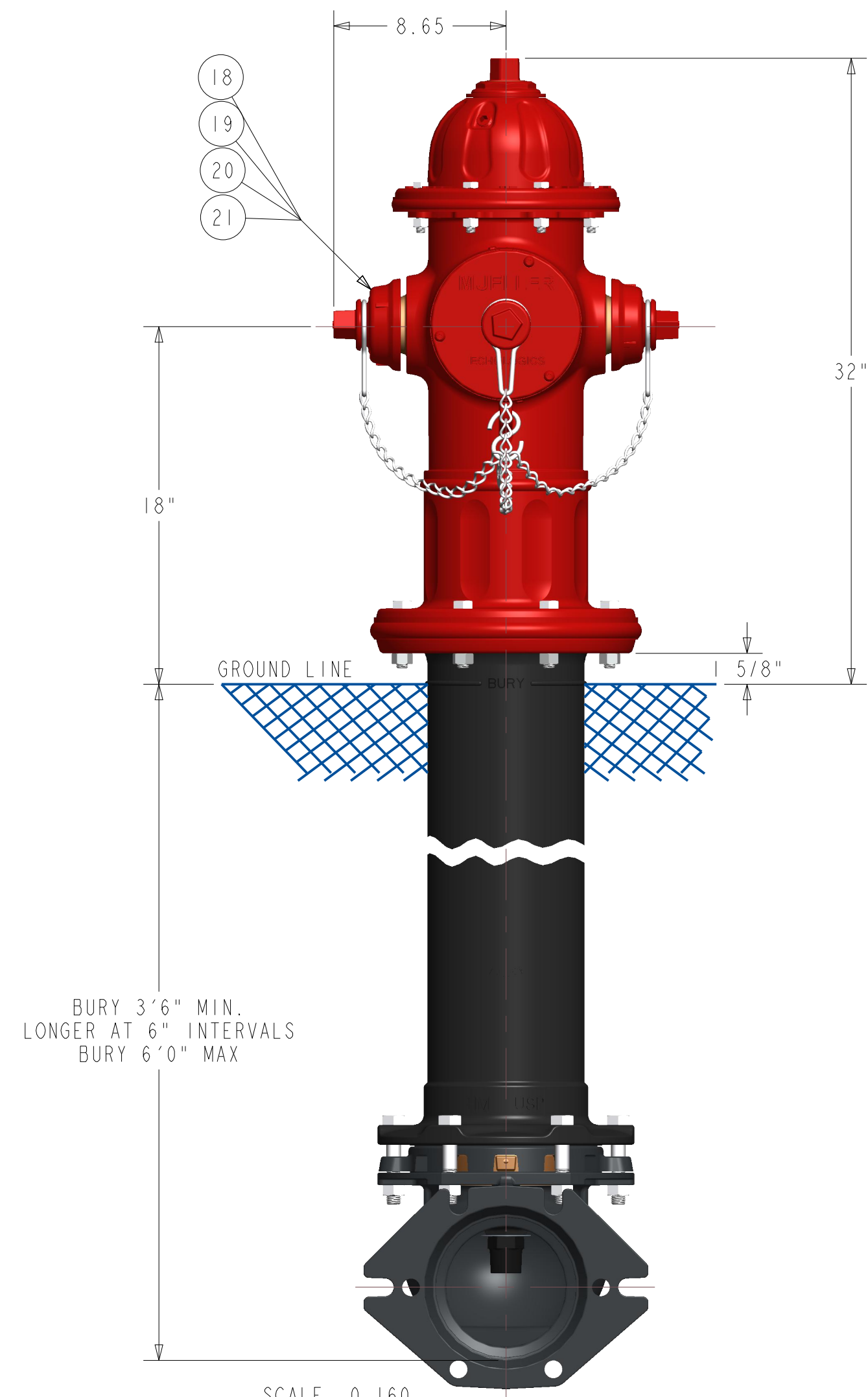


5 1/4" A-423HP Sentryx™ software enabled Super Centurion® TWO HOSE NOZZLES & ONE PUMPER NOZZLE
 350 P.S.I. Working Pressure - 100 P.S.I. TEST, 2019 STYLE
 Pressure Sensor: 0-230 P.S.I. Rated



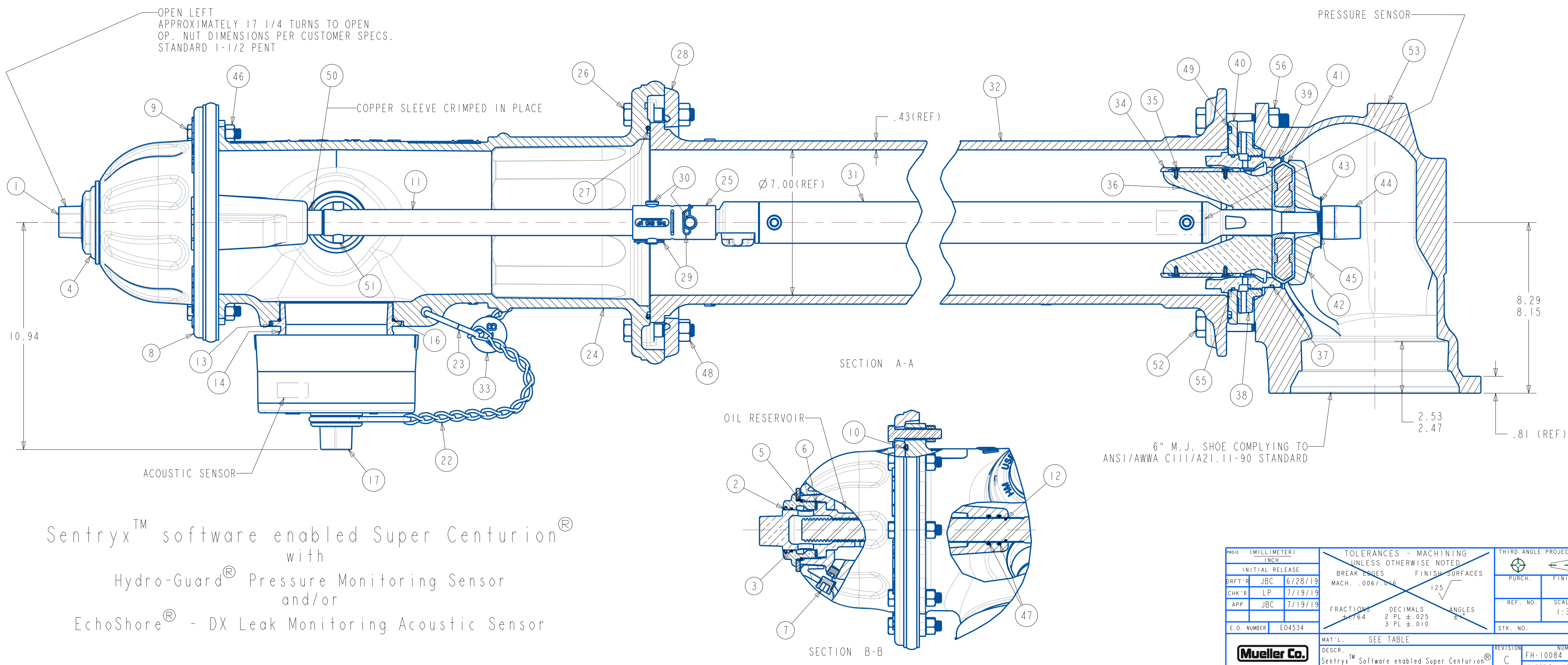
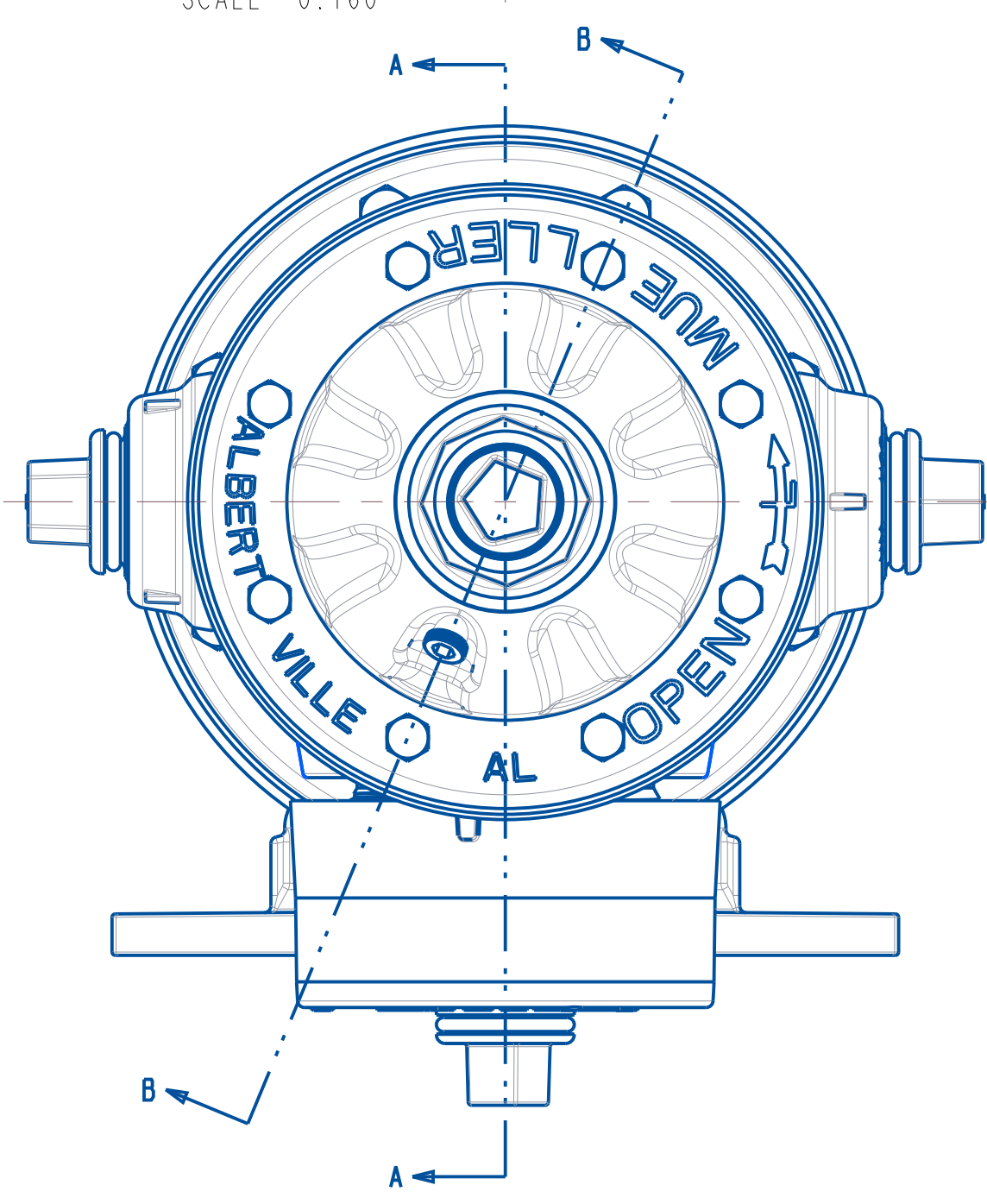
PARTS LIST						
ITEM	DESCRIPTION	REQ'D	MATERIAL	A.S.T.M.	ALTERNATE STANDARD	ADDITIONAL MATERIAL DESCRIPTION
1	OPERATING NUT	1	BRONZE	B-62		ALLOY C83600
2	WIPER RING	1	RUBBER	D-2000		EPDM
3	HOLD DOWN NUT O-RING	1	RUBBER	D-2000		BUNA N
4	HOLD DOWN NUT	1	BRONZE	B-62		ALLOY C83600
5	BONNET O-RING	1	RUBBER	D-2000		BUNA N
6	ANTI-FRICTION WASHER	1	CELCON			GRADE M90-04
7	OIL FILLER PLUG	2	BRASS	B-16		ALLOY 360
8	SMART BONNET	1	VARIOUS			
9	BONNET HEX CAP SCREW	8	STEEL	SAE J429		GR5 GALVANIZED
10	TOP UPPER BARREL O-RING	1	RUBBER	D-2000		BUNA N
11	UPPER STEM	1	CARBON STEEL	A-576		GR 1144T
12	STEM O-RING	1	RUBBER	D-2000		BUNA N
13	NOZZLE LOCK	3	STAINLESS STEEL	A-276		305 OR 410
14	PUMPER NOZZLE	1	BISMUTH BRASS	B-584		ALLOY C89833
15	PUMPER NOZZLE CAP GASKET *	1	RUBBER	D-2000		NEOPRENE
16	PUMPER NOZZLE O-RING	1	RUBBER	D-2000		BUNA N
17	ECHOSHORE® DX CAP	1	VARIOUS			
18	HOSE NOZZLE	2	BISMUTH BRASS	B-584		ALLOY C89833
19	HOSE NOZZLE CAP GASKET	2	RUBBER	D-2000		NEOPRENE
20	HOSE NOZZLE O-RING	2	RUBBER	D-2000		BUNA N
21	HOSE NOZZLE CAP	2	CAST IRON	A-126		CLASS B
22	CAP CHAIN	3	STEEL			ELECTRO GALV.
23	CHAIN HOOK	1	STEEL			ELECTRO GALV.
24	UPPER BARREL	1	CAST IRON	A-126		CLASS B
25	TRAFFIC STEM COUPLING	1	STAINLESS STEEL	A-890		1.5% SILICON MAX.
26	TRAFFIC FLANGE HEX CAP SCREW	8	STEEL	SAE J429		GR5 GALVANIZED
27	TRAFFIC FLANGE O-RING	1	RUBBER	D-2000		BUNA N
28	TRAFFIC FLANGE	2	CAST IRON	A-126		CLASS B
29	REUSABLE COTTOR PIN	2	STAINLESS STEEL			18-8
30	CLEVIS PIN	2	STAINLESS STEEL	A-276		300 SERIES
31	SMART LOWER STEM	1	VARIOUS			

ITEM	DESCRIPTION	REQ'D	MATERIAL	A.S.T.M.	ALTERNATE STANDARD	ADDITIONAL MATERIAL DESCRIPTION
32	LOWER BARREL	1	CAST IRON	A-126		CLASS B
33	BURY TAG	1	STAINLESS STEEL	A-240		304
34	DRAIN VALVE FACING	2	H.D. POLYETHYLENE			LS 5660-00
35	DRAIN VALVE FACING SCREW	4	STAINLESS STEEL	A-276		300 SERIES
36	UPPER VALVE PLATE	1	BISMUTH BRASS	B-584		ALLOY C89833
37	BOTTOM SEAT O-RING	1	RUBBER	D-2000		BUNA N
38	DRAIN RING	1	BRONZE	B-62		ALLOY C83600
39	SEAT RING	1	BISMUTH BRASS	B-584		ALLOY C89833
40	DRAIN RING HOUSING	1	CAST IRON	A-126		CLASS B
41	ENCAPSULATED MAIN VALVE	1	RUBBER	D-2000		NATURAL
42	LOWER VALVE PLATE	1	CAST IRON	A-126		CLASS B
43	LOCK WASHER	1	STAINLESS STEEL	A-276		304
44	VALVE NUT	1	BRASS	B-584		ALLOY C89833
45	VALVE NUT SEAL	1	RUBBER			NITRILE
46	BONNET HEX NUT	8	STEEL	SAE J995		GR8 GALVANIZED
47	STEM O-RING	2	RUBBER	D-2000		BUNA N
48	TRAFFIC FLANGE HEX NUT	8	STEEL	SAE J995		GR5 GALVANIZED
49	DRAIN RING HOUSING O-RING	1	RUBBER	D-2000		BUNA N
50	SLEEVE	1	COPPER	B-75		ALLOY 122
51	UPPER STEM PIN	1	STAINLESS STEEL	A-276		303
52	SHOE HEX CAP SCREW	6	STEEL	SAE J429		GR5 GALVANIZED
53	SHOE	1	DUCTILE IRON	A-536	GR 70-50-05	GR 65-45-12
54	PIPE GLAND *	1	CAST IRON	A-126		CLASS B
55	TOP SEAT O-RING	1	RUBBER	D-2000		BUNA N
56	SHOE HEX NUT	6	STEEL	SAE J995		GR5 GALVANIZED
57	MECH. JOINT GASKET *	1	RUBBER	D-2000		NATURAL
58	T-HEAD BOLT 3/4x3.50 *	6	STEEL	A-242	A-588	TYPE 1
59	HEX NUT 3/4" *	6	STEEL	A-242	A-588	TYPE 1

SEE CAT. RECORD FOR RESPECTIVE PARTS OR SUB. ASS'YS

NOTE
 1. ALL DIMENSIONS SHOWN ARE REFERENCE.
 2. PUMPER CAP VARIES PER CUSTOMER SPEC.
 3. SIZE AND STYLE OF OPERATING NUT, SHOE SIZE, AND THREADING OF NOZZLES IS PER CUSTOMER SPECS.
 4. BOTH ACOUSTIC AND PRESSURE SENSORS ARE SHOWN.

* NOT SHOWN



Sentryx™ software enabled Super Centurion®
 with
 Hydro-Guard® Pressure Monitoring Sensor
 and/or
 EchoShore® - DX Leak Monitoring Acoustic Sensor

REV.	DESCRIPTION	REF.	DRFT'N	CHK'N	APP.	DATE
C	ADD ECHO DX CAP; ADD SENSOR CALLOUT; ADD SENTRYX NOTE; MODIFY DESCRIPTION	E04675	JBC	WW	JBC	3/6/20
B	MODIFY TABLE; OIL FILLER PLUG QTY TO 2 WAS 1; ADD DIM; MODIFY BURY DEPTH MIN	E04654	JBC	WW	JBC	12/9/19
A	MODIFY BURY DIMENSION; REMOVE UL AND FM	E04556	JBC	LP	JBC	8/2/19

INCH		MILLIMETER		TOLERANCES - MACHINING UNLESS OTHERWISE NOTED		THIRD ANGLE PROJECTION	
INITIAL RELEASE	JBC	6/28/19		BREAK EDGES	FINISH SURFACES	PURCH.	FINISH
DRFT'N	JBC	7/19/19		MACH. ±.0067/0.16	125	REF. NO.	SCALE
CHK'N	LP	7/19/19		FRACTIONS ±.154	DECIMALS 2 PL ±.025	1:3	
APP.	JBC	7/19/19		ANGLES ±	3 PL ±.010	STK. NO.	
E.O. NUMBER	E04534			MATERIAL SEE TABLE		REVISION	NUMBER
				DESCR. Sentryx™ Software enabled Super Centurion®		C	FH-10084
							SHEET 1 OF 1