

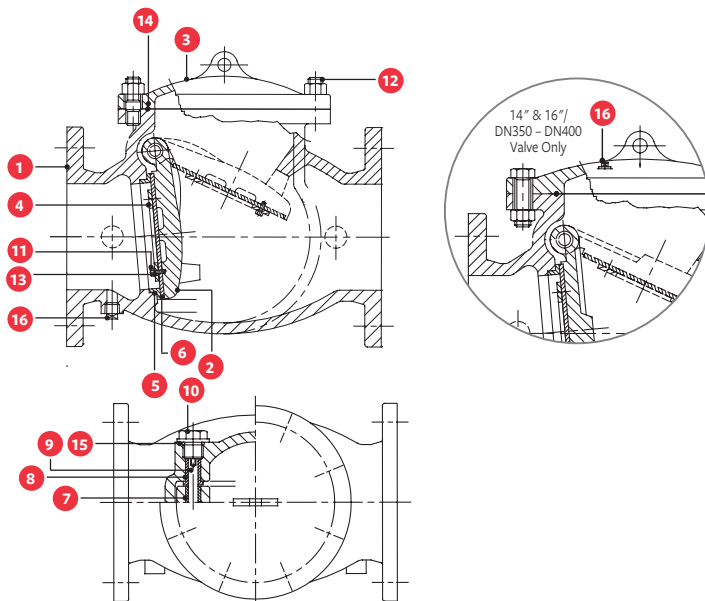
SWING CHECK VALVES

PARTS LIST

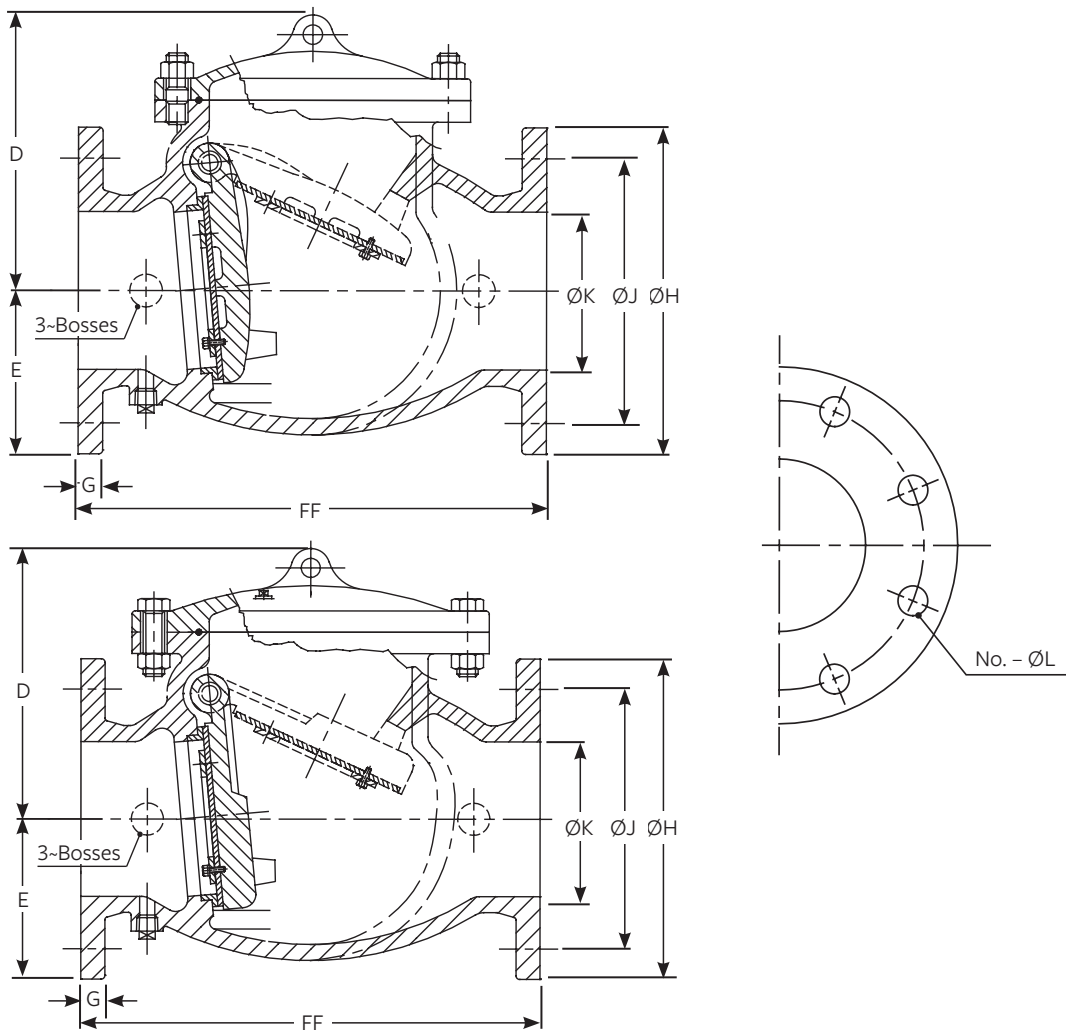
ID	PART NAME	MATERIAL
1	Body	Ductile Iron/ASTM A536 Gr. 65-45-12
2	Disc	Ductile Iron/ASTM A536 Gr. 65-45-12
3	Cover	Ductile Iron/ASTM A536 Gr. 65-45-12
4	Seat Holder	Ductile Iron/ASTM A536 Gr. 65-45-12
5	Body Seat Ring	Bronze/B62
6	Disc Seat Ring	Rubber Buna-N or EPDM/D2000
7	Disc Bushing	Bronze/B62
8	Body Bushing	Bronze/B62
9	Hinge Pin	304 Stainless Steel/A276
10	Plug (A)	304 Stainless Steel/A276
11	Disc Seat Bolt	304 Stainless Steel/A276
12	Cover Stud & Nut	Zinc Coated Steel/F3125 Grade A325
13	Spring Washer	304 Stainless Steel/A276
14	Cover Gasket	Rubber Buna-N or EPDM/D2000
15	O-Ring	Rubber Buna-N or EPDM/D2000
16	Plug (B)	304 Stainless Steel/A276

PRODUCT FEATURES

- Gravity operated.
- Sizes: 2" – 16"/DN50 – DN400.
- UL Listed and FM Approved.
- 2" – 12"/DN50 – DN300: 350psig/24barg C.W.P., 14" & 16"/DN350 & DN400: 250psig/17barg C.W.P.
- Designs available: U2122-B13 – 2"/DN50 – 12"/DN300; U2122-B1 – 14"/DN350 & 16"/DN400.
- Rubber Disc Facing and Bronze Seat Ring.
- Ductile Iron Valve Body.
- Two-part liquid epoxy coating.
- Ductile Iron Cover has lifting lug.
- Operating parts of Bronze and Stainless Steel, Cover Nuts and Bolts electrogalvanized Steel.
- Internal parts serviceable without removing valve from line.
- Tapping bosses both sides of body.
- Drain plug under inlet end.
- Flange End drilling meets: ANSI B16.1, Class 125 and ANSI B16.42, Class 150 Flat Face. Optional PN10, PN16 drilling.



8"/DN200 shown



DIMENSIONS – INCHES (MM)

VALVE SIZE	D	E	FF	G	ØH	ØJ	ØK	NO. - ØL	WT. - LB (KG)
2"/DN50	5 ¹ / ₁₆ (150)	3 (76)	8* (203)	5/8 (15)	6 (152)	4 ³ / ₄ (120)	2 (50)	4 - 3/4 (19)	28 (12.7)
2 1/2"/DN65	6 ⁷ / ₁₆ (160)	3 1/2 (89)	8 1/2* (216)	1 1/16 (17)	7 (177)	5 1/2 (139)	2 1/2 (65)	4 - 3/4 (19)	39 (17.7)
3"/DN80	7 ⁷ / ₈ (187)	3 3/4 (95)	9 1/2* (242)	3/4 (19)	7 1/2 (190)	6 (152)	3 (80)	4 - 3/4 (19)	50 (22.7)
4"/DN100	8 1/16 (203)	4 1/2 (114)	11 1/2* (292)	1 5/16 (23)	9 (228)	7 1/2 (190)	4 (100)	8 - 3/4 (19)	75 (34.0)
6"/DN150	10 ³ / ₈ (269)	5 1/2 (139)	14* (355)	1 (25)	11 (279)	9 1/2 (241)	6 (150)	8 - 7/8 (22)	191 (86.6)
8"/DN200	12 ³ / ₈ (314)	6 3/4 (171)	19 1/2* (495)	1 1/8 (28)	13 1/2 (342)	11 3/4 (298)	8 (200)	8 - 7/8 (22)	272 (123.4)
10"/DN250	14 1 1/16 (373)	8 (203)	24 1/2* (622)	1 3/16 (30)	16 (406)	14 1/4 (361)	10 (250)	12 - 1 (25)	436 (197.8)
12"/DN300	17 ⁷ / ₁₆ (442)	9 1/2 (241)	27 1/2** (701)	1 1/4 (31)	19 (482)	17 (431)	12 (300)	12 - 1 (25)	656 (297.6)
14"/DN350	20 1 5/16 (531)	10 1/2 (266)	31** (790)	1 3/8 (34)	21 (533)	18 3/4 (476)	14 (350)	12 - 1 1/8 (28)	962 (436.4)
16"/DN400	23 1/4 (590)	11 3/4 (298)	36 ** (917)	1 7/16 (36)	23 1/2 (596)	21 1/4 (539)	16 (400)	16 - 1 1/8 (28)	1294 (586.9)

* ± 1/16 (1.5 mm) ** ± 1/8 (3 mm)

Note:

No. - ØL column is for the ANSI flange only.

For more information about us, or to view our full line of products, please visit www.mueller-international.com or call International Customer Service at:

UK: +44.1438.487410 Dubai: +971.4.214.6640 Singapore: +65.6816.3088 USA: +1.800.423.1323 | International@muellerwp.com

Mueller refers to one or more of Mueller Water Products, Inc., a Delaware corporation ("MWP"), and its subsidiaries. MWP and each of its subsidiaries are legally separate and independent entities when providing products and services. MWP does not provide products or services to third parties. MWP and each of its subsidiaries are liable only for their own acts and omissions and not those of each other. MWP brands include Mueller®, Echologics®, Hydro Gate®, Hydro-Guard®, Jones®, Krausz®, MiNet®, Milliken®, Pratt®, Pratt Industrial®, Singer®, and U.S. Pipe Valve & Hydrant. Please see muellerwp.com/brands to learn more.

© 2020 Mueller Water Products, Inc. All Rights Reserved. The trademarks, logos and service marks displayed in this document are the property of Mueller Water Products, Inc., its affiliates or other third parties. Products above marked with a section symbol (§) are subject to patents or patent applications. For details visit www.mwppat.com.

F 12833 9/20

