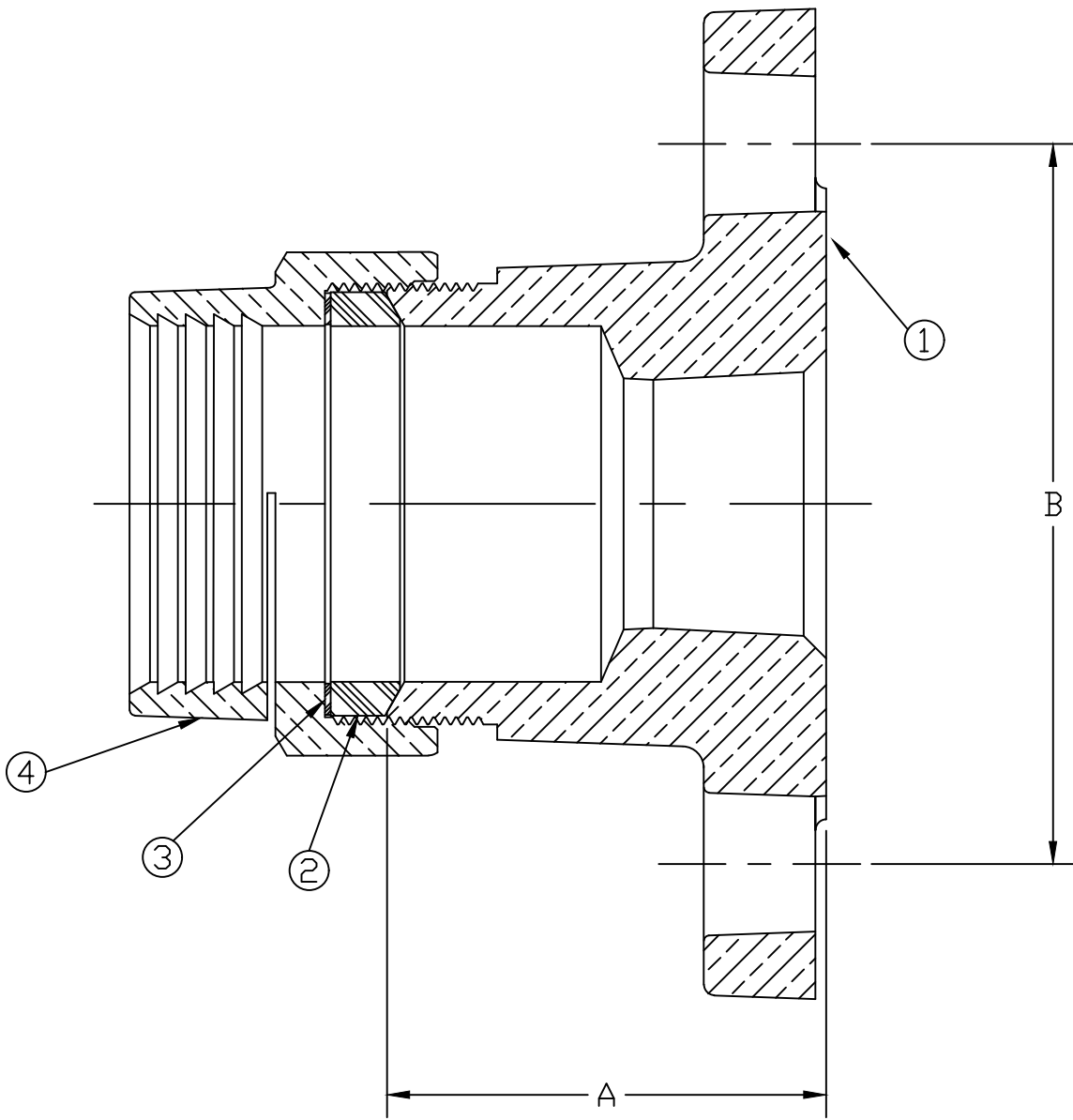


No.	DESCRIPTION	MATERIAL
1	METER FLANGE	LEAD FREE BRASS ALLOY ASTM B584
2	PJ GASKET	ASTM D2000 (BUNA N)
3	PJ WASHER	POLYPROPYLENE
4	PJ CPLG NUT	CAST BRASS ALLOY ASTM B584



SIZE	A	B
1-1/2	2.56	4.00
2	2.81	4.50

MEETS ALL REQUIREMENTS OF AWWA C800
 ALL WETTED PARTS ARE LEAD FREE BRASS ALLOY C89833/C87850
 ALL NON WETTED PARTS ARE BRASS ALLOY C83600/C87850

DWG NUMBER
V10120N

TITLE TO AND OWNERSHIP OF THIS ENGINEERING DATA REMAINS IN Mueller Co. NO USE IS TO BE MADE OF THIS DATA EXCEPT AS SPECIFICALLY AUTHORIZED BY Mueller Co. ASSENT ON THE PART OF THE RECIPIENT TO THESE CONDITIONS IS PRESUMED

DRFTR	AD	02/20/23	MUELLER	
CHKR				
ENGR				
MGR				
			UNLESS OTHERWISE NOTED	THIRD ANGLE PROJECTION
			SURFACE PREPARATION:	
			BREAK CORNER(S) ---- .000	
			SURFACE FINISH -- XX RMS	REF. No.
			TOLERANCE(S):	SCALE
			LINEAR ----- ± .000	FULL
			ANGULAR ----- ± 0°00'	
STK No:				
MAT'L:				
DESCR.			METER FLANGE SERVICE FITTING (MTR FLG x PJ IPS PVC)	DWG NUMBER V10120N