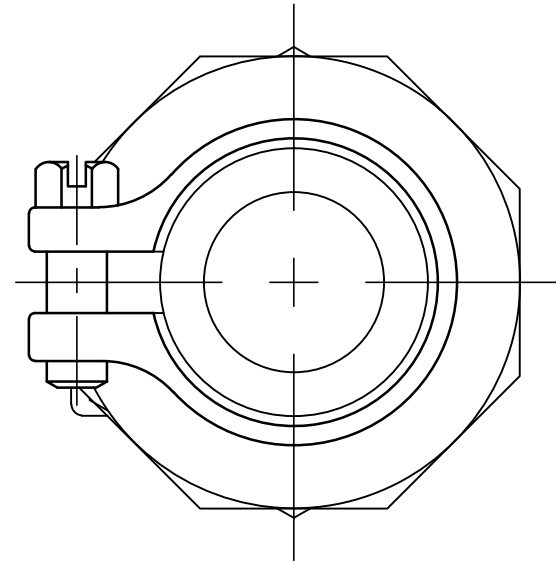
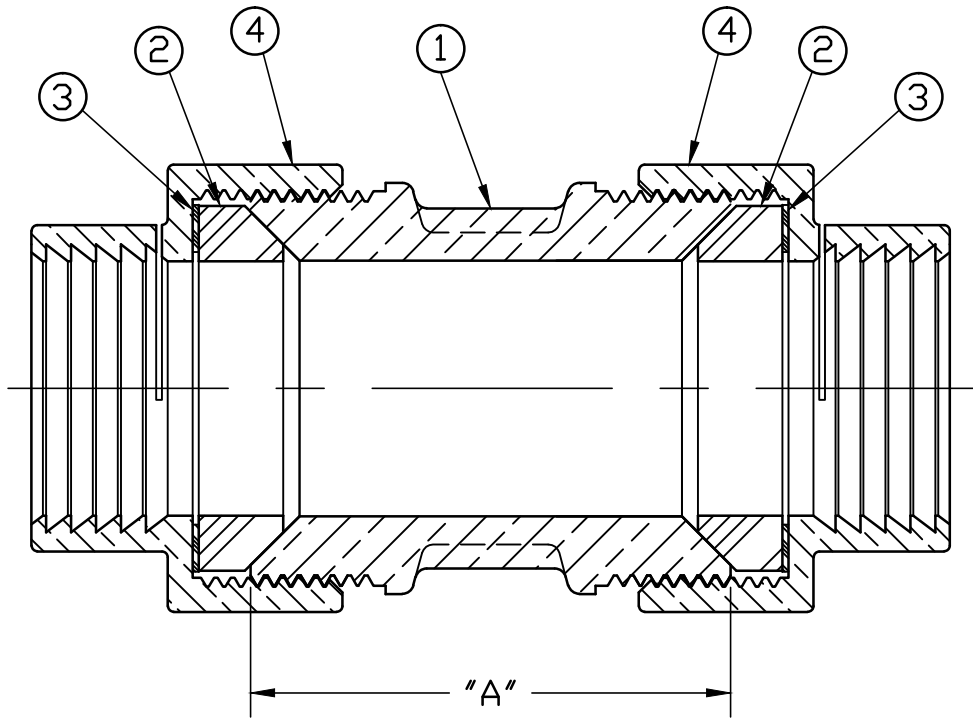


No.	DESCRIPTION	MATERIAL
1	SPUD	CAST LOW LEAD BRASS ALLOY
2	COMP GSKT	NITRILE ASTM D2000
3	WASHER	POLYPROPYLENE
4	CPLG NUT	CAST BRASS ASTM B62 ALLOY C83600



SIZE	A
1"	2.50
1" x 3/4"	2.15
1 1/2"	3.62
2"	4.00

ALL WETTED PARTS ARE LOW LEAD BRASS ALLOY

FILEPATH: PROD-ENG\MUELLER\ASYSUBMITTALS\V15401N

						DRFTR	RWB	11/13/14	Mueller Co.	UNLESS OTHERWISE NOTED THIRD ANGLE PROJECTION 	
						CHKR					SURFACE PREPARATION: BREAK CORNER(S) ---- .000 SURFACE FINISH -- XX RMS
						ENGR					
						MGR					REF. No.
									BY	DATE	
									STK No:		
									MAT'L:		
									DESCR.	STRAIGHT LLB SERVICE FITTING (PVC PJ)	
										DWG NUMBER V15401N	
									PER EST NO: DXXXX	EST FIN WT = 0.0000 lbs	

DWG NUMBER
V15401N
442-MRKTNG

TITLE TO AND OWNERSHIP OF THIS ENGINEERING
DATA REMAINS IN Mueller Co. NO USE IS TO BE
MADE OF THIS DATA EXCEPT AS SPECIFICALLY
AUTHORIZED BY Mueller Co. ASSENT ON THE PART
OF THE RECIPIENT TO THESE CONDITIONS IS PRESUMED