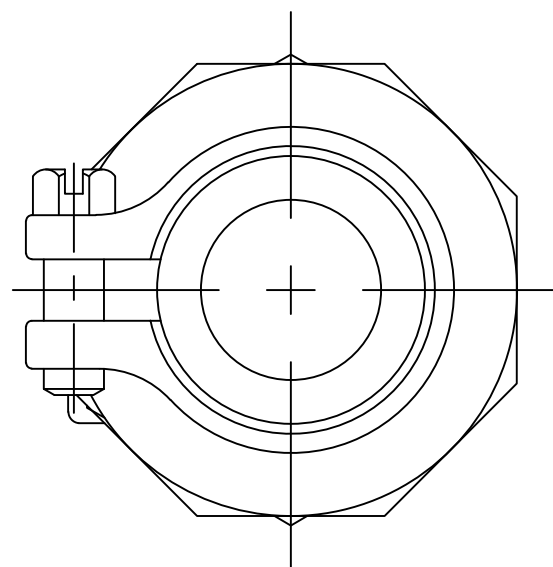
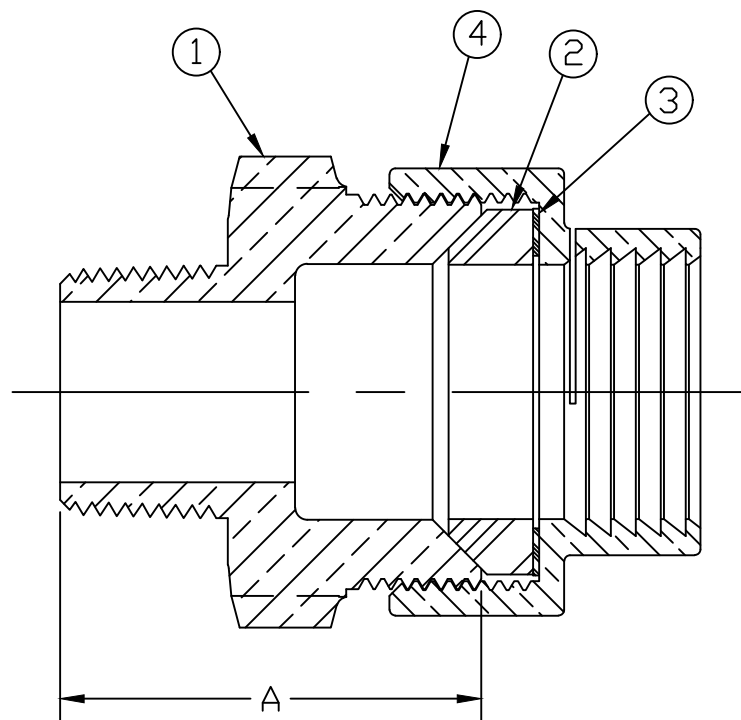


| No. | QTY | DESCRIPTION | MATERIAL                         |
|-----|-----|-------------|----------------------------------|
| 1   | 1   | SPUD        | CAST NO LEAD BRASS ALLOY         |
| 2   | 1   | COMP GSKT   | EPDM D2000                       |
| 3   | 1   | WASHER      | POLYPROPYLENE                    |
| 4   | 1   | CPLG NUT    | CAST BRASS ASTM B62 ALLOY C83600 |



| SIZE        | A    |
|-------------|------|
| 1"          | 2.19 |
| 1" x 3/4"   | 2.14 |
| 1 1/2"      | 2.78 |
| 1 1/2" x 1" | 2.88 |
| 2"          | 2.95 |

ALL WETTED PARTS ARE NO LEAD BRASS ALLOY

FILEPATH: PROD-ENG\MUELLER\ASYSUBMITTALS\V15440N

|  |  |  |  |  |  |       |         |         |   |                            |
|--|--|--|--|--|--|-------|---------|---------|---|----------------------------|
|  |  |  |  |  |  | DRFTR | JGarvin | 9/17/09 | <b>MUELLER</b>  | THIRD ANGLE PROJECTION<br> |
|  |  |  |  |  |  | CHKR  |         |         |   |                            |
|  |  |  |  |  |  | ENGR  |         |         |   |                            |
|  |  |  |  |  |  | MGR   |         |         |   |                            |
|  |  |  |  |  |  |       |         |         | UNLESS OTHERWISE NOTED  | REF. No.                   |
|  |  |  |  |  |  |       |         |         | SURFACE PREPARATION:<br>BREAK CORNER(S) ---- .000<br>SURFACE FINISH -- XX RMS |                            |
|  |  |  |  |  |  |       |         |         | TOLERANCE(S):<br>LINEAR ----- ± .000<br>ANGULAR ----- ± 0°00'                 | FULL                       |
|  |  |  |  |  |  |       |         |         | BY  | DATE                       |
|  |  |  |  |  |  |       |         |         | STK No:   |                            |
|  |  |  |  |  |  |       |         |         | MAT'L:  |                            |
|  |  |  |  |  |  |       |         |         | DESCR.  |                            |
|  |  |  |  |  |  |       |         |         | NLB STRAIGHT SERVICE FITTING<br>(MIP x PJ (IPS PVC))                          |                            |
|  |  |  |  |  |  |       |         |         |   | DWG NUMBER<br>V15440N      |

TITLE TO AND OWNERSHIP OF THIS ENGINEERING DATA REMAINS IN Mueller Co. NO USE IS TO BE MADE OF THIS DATA EXCEPT AS SPECIFICALLY AUTHORIZED BY Mueller Co. ASSENT ON THE PART OF THE RECIPIENT TO THESE CONDITIONS IS PRESUMED

| REV | ECR | DESCRIPTION | DATE | BY | CHKR |
|-----|-----|-------------|------|----|------|
|     |     |             |      |    |      |

PER EST NO: DXXXX EST FIN WT = 0.0000 lbs

DWG NUMBER  
V15440N  
442-MRKTG